



# FCC TEST REPORT

**Test report  
On Behalf of  
Cooler Master Technology Inc.  
For  
MM311**

**Model No.: MM-311-KKOW1, MM-311-WWOW1**

**FCC ID: 2AR8X-MM311KKOW1**

**Prepared For :** Cooler Master Technology Inc.  
7F., No. 398, Xinhua 1st Rd., Neihu Dist., Taipei City, 114065 Taiwan

**Prepared By :** Shenzhen HUAK Testing Technology Co., Ltd.  
1-2/F., Building B2, Junfeng Zhongcheng Zhizao Innovation Park, Heping,  
Fuhai Street, Bao'an District, Shenzhen, Guangdong, China

**Date of Test:** Nov. 04, 2021 ~Feb. 23, 2022

**Date of Report:** Feb. 23, 2022

**Report Number:** HK2111044232-E



TEST RESULT CERTIFICATION

Applicant's name : Cooler Master Technology Inc.
Address : 7F., No. 398, Xinhua 1st Rd., Neihu Dist., Taipei City, 114065 Taiwan
Manufacture's Name : CHUAND ELECTRONIC & TECHNOLOGY CO., LTD.
Address : Sijia Industrial Zone, Shijie Town, Dongguan City, P. R. China

Product description

Trade Mark: Cooler Master
Product name : MM311
Model and/or type reference : MM-311-KKOW1, MM-311-WWOW1
Standards : FCC Rules and Regulations Part 15 Subpart C Section 15.249
ANSI C63.10: 2013

This publication may be reproduced in whole or in part for non-commercial purposes as long as the Shenzhen HUAK Testing Technology Co., Ltd. is acknowledged as copyright owner and source of the material. Shenzhen HUAK Testing Technology Co., Ltd. takes no responsibility for and will not assume liability for damages resulting from the reader's interpretation of the reproduced material due to its placement and context.

Date of Test :
Date (s) of performance of tests : Nov. 04, 2021 ~Feb. 23, 2022
Date of Issue : Feb. 23, 2022
Test Result : Pass

Testing Engineer : [Signature]
(Gary Qian)

Technical Manager : [Signature]
(Eden Hu)

Authorized Signatory : [Signature]
(Jason Zhou)

The results shown in this test report refer only to the sample(s) tested unless otherwise stated and the sample(s) are retained for 30 days only. The document is issued by HUAK, this document cannot be reproduced except in full with our prior written permission. The more details and the authenticity of the report will be confirmed at http://www.cer-mark.com.



**Table of Contents**

**Page**

1 . TEST SUMMARY	5
1.1 . Test Procedures and Results	5
1.2 . Information of the Test Laboratory	5
1.3 . Measurement Uncertainty	5
2 . GENERAL INFORMATION	6
2.1 . General Description of EUT	6
2.2 . Operation of EUT During Testing	7
2.3 . Description of Test Setup	8
2.4 . Measurement Instruments List	9
3 . CONDUCTED EMISSIONS TEST	10
3.1. Conducted Power Line Emission Limit	10
3.2. Test Setup	10
3.3. Test Procedure	10
3.4. Test Result	11
4. RADIATED EMISSION TEST	12
4.1. Radiation Limit	12
4.2. Test Setup	12
4.3. Test Procedure	13
4.4. Test Result	13
5. BAND EDGE	19
5.1. Limits	19
5.2. Test Procedure	19
5.3. Test Result	20
6. OCCUPIED BANDWIDTH MEASUREMENT	22
6.1. Test Setup	22
6.2. Test Procedure	22
6.3. Measurement Equipment Used	22
6.4. Test Result	22
7. ANTENNA REQUIREMENT	24
8. PHOTOGRAPH OF TEST	25
9. PHOTOS OF THE EUT	26

The results shown in this test report refer only to the sample(s) tested unless otherwise stated and the sample(s) are retained for 30 days only. The document is issued by HUAKE, this document cannot be reproduced except in full with our prior written permission. The more details and the authenticity of the report will be confirmed at <http://www.cer-mark.com>.



**\*\* Modified History \*\***

<b>Revision</b>	<b>Description</b>	<b>Issued Data</b>	<b>Remark</b>
<b>Revision 1.0</b>	<b>Initial Test Report Release</b>	<b>Feb. 23, 2022</b>	<b>Jason Zhou</b>

The results shown in this test report refer only to the sample(s) tested unless otherwise stated and the sample(s) are retained for 30 days only. The document is issued by HUAK, this document cannot be reproduced except in full with our prior written permission. The more details and the authenticity of the report will be confirmed at <http://www.cer-mark.com>.

**HUAK Testing Lab** TEL : +86-755 2302 9901 FAX : +86-755 2302 9901 E-mail : [service@cer-mark.com](mailto:service@cer-mark.com)

1-2/F., Building B2, Junfeng Zhongcheng Zhizao Innovation Park, Heping, Fuhai Street, Bao'an District, Shenzhen, Guangdong, China



### 1. TEST SUMMARY

#### 1.1. Test Procedures and Results

DESCRIPTION OF TEST	SECTION NUMBER	RESULT
CONDUCTED EMISSIONS TEST	15.207	N/A
RADIATED EMISSION TEST	15.249(a)/15.209	COMPLIANT
BAND EDGE	15.249(d)/15.205	COMPLIANT
OCCUPIED BANDWIDTH MEASUREMENT	15.215 (c)	COMPLIANT
ANTENNA REQUIREMENT	15.203	COMPLIANT

#### 1.2. Information of the Test Laboratory

Shenzhen HUAK Testing Technology Co., Ltd.

Add.: 1-2/F., Building B2, Junfeng Zhongcheng Zhizao Innovation Park, Heping, Fuhai Street, Bao'an District, Shenzhen, Guangdong, China

Testing Laboratory Authorization:

A2LA Accreditation Code is 4781.01.

FCC Designation Number is CN1229.

Canada IC CAB identifier is CN0045.

CNAS Registration Number is L9589.

#### 1.3. Measurement Uncertainty

Measurement Uncertainty

Conducted Emission Expanded Uncertainty = 2.71dB, k=2

Radiated emission expanded uncertainty(9kHz-30MHz) = 3.90dB, k=2

Radiated emission expanded uncertainty(30MHz-1000MHz) = 3.90dB, k=2

Radiated emission expanded uncertainty(Above 1GHz) = 4.28dB, k=2



## 2. GENERAL INFORMATION

### 2.1. General Description of EUT

Equipment:	MM311
Model Name:	MM-311-KKOW1
Series Model:	MM-311-WWOW1
Model Difference:	All model's the function, software and electric circuit are the same, only with a product color, appearance and model named different. Test sample model: MM-311-KKOW1.
FCC ID:	2AR8X-MM311KKOW1
Antenna Type:	PCB Antenna
Antenna Gain:	0dBi
Operation frequency:	2403-2475MHz
Number of Channels:	37CH
Modulation Type:	GFSK
Power Source:	DC 1.5V from battery
Power Rating:	DC 1.5V from battery



2.1.1. Carrier Frequency of Channels

Channel	Frequency (MHz)	Channel	Frequency (MHz)	Channel	Frequency (MHz)
1	2403	14	2429	27	2455
2	2405	15	2431	28	2457
3	2407	16	2433	29	2459
4	2409	17	2435	30	2461
5	2411	18	2437	31	2463
6	2413	19	2439	32	2465
7	2415	20	2441	33	2467
8	2417	21	2443	34	2469
9	2419	22	2445	35	2471
10	2421	23	2447	36	2473
11	2423	24	2449	37	2475
12	2425	25	2451		
13	2427	26	2453		

2.2. Operation of EUT During Testing

Operating Mode

The mode is used: **Transmitting mode**

Low Channel: 2403MHz

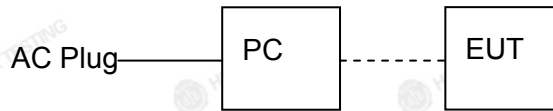
Middle Channel: 2441MHz

High Channel: 2475MHz



### 2.3. Description of Test Setup

Operation of EUT during radiation below 1GHz testing:



Operation of EUT during radiation above 1GHz testing



#### PC information

Model: ThinkPad X220i

Input: 20V, 3.25A/4.5A

The sample was placed (0.8m below 1GHz, 1.5m above 1GHz) above the ground plane of 3m chamber. Measurements in both horizontal and vertical polarities were performed. During the test, each emission was maximized by: having the EUT continuously working, investigated all operating modes, rotated about all 3 axis (X, Y & Z) and considered typical configuration to obtain worst position, manipulating interconnecting cables, rotating the turntable, varying antenna height from 1m to 4m in both horizontal and vertical polarizations. The emissions worst-case are shown in Test Results of the following pages. The worst case is X position.





2.4. Measurement Instruments List

Item	Equipment	Manufacturer	Model No.	Serial No.	Last Cal.	Cal. Interval
1.	L.I.S.N. Artificial Mains Network	R&S	ENV216	HKE-002	Dec. 09, 2021	1 Year
2.	Receiver	R&S	ESCI 7	HKE-010	Dec. 09, 2021	1 Year
3.	RF automatic control unit	Tonscend	JS0806-2	HKE-060	Dec. 09, 2021	1 Year
4.	Spectrum analyzer	R&S	FSP40	HKE-025	Dec. 09, 2021	1 Year
5.	Spectrum analyzer	Agilent	N9020A	HKE-048	Dec. 09, 2021	1 Year
6.	Preamplifier	Schwarzbeck	BBV 9743	HKE-006	Dec. 09, 2021	1 Year
7.	EMI Test Receiver	Rohde & Schwarz	ESCI 7	HKE-010	Dec. 09, 2021	1 Year
8.	Bilog Broadband Antenna	Schwarzbeck	VULB9163	HKE-012	Dec. 09, 2021	1 Year
9.	Loop Antenna	Schwarzbeck	FMZB 1519 B	HKE-014	Dec. 09, 2021	1 Year
10.	Horn Antenna	Schwarzbeck	9120D	HKE-013	Dec. 09, 2021	1 Year
11.	Pre-amplifier	EMCI	EMC051845S E	HKE-015	Dec. 09, 2021	1 Year
12.	Pre-amplifier	Agilent	83051A	HKE-016	Dec. 09, 2021	1 Year
13.	EMI Test Software EZ-EMC	Tonscend	JY3120-B Version	HKE-083	N/A	N/A
14.	Power Sensor	Agilent	E9300A	HKE-086	Dec. 09, 2021	1 Year
15.	Spectrum analyzer	Agilent	N9020A	HKE-048	Dec. 09, 2021	1 Year
16.	Signal generator	Agilent	N5182A	HKE-029	Dec. 09, 2021	1 Year
17.	Signal Generator	Agilent	83630A	HKE-028	Dec. 09, 2021	1 Year
18.	Shielded room	Shiel Hong	4*3*3	HKE-039	Dec. 09, 2021	3 Year
19.	Hight gain antenna	Schwarzbeck	LB-180400KF	HKE-054	Dec. 09, 2021	1 Year

The results shown in this test report refer only to the sample(s) tested unless otherwise stated and the sample(s) are retained for 30 days only. The document is issued by HUAKE, this document cannot be reproduced except in full with our prior written permission. The more details and the authenticity of the report will be confirmed at <http://www.cer-mark.com>.

**HUAKE Testing Lab** TEL : +86-755 2302 9901 FAX : +86-755 2302 9901 E-mail : [service@cer-mark.com](mailto:service@cer-mark.com)

1-2/F., Building B2, Junfeng Zhongcheng Zhizao Innovation Park, Heping, Fuhai Street, Bao'an District, Shenzhen, Guangdong, China

### 3. CONDUCTED EMISSIONS TEST

#### 3.1. Conducted Power Line Emission Limit

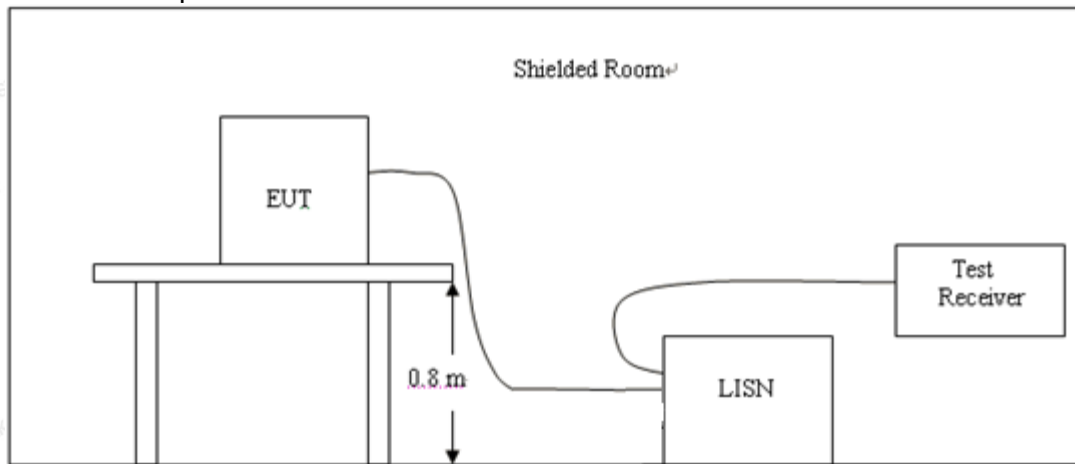
For unintentional device, according to § 15.107(a) Line Conducted Emission Limits is as following.

Frequency (MHz)	Maximum RF Line Voltage (dBµV)			
	CLASS A		CLASS B	
	Q.P.	Ave.	Q.P.	Ave.
0.15 - 0.50	79	66	66-56*	56-46*
0.50 - 5.00	73	60	56	46
5.00 - 30.0	73	60	60	50

\* Decreasing linearly with the logarithm of the frequency.

For intentional device, according to §15.207(a) Line Conducted Emission Limit is same as above table.

#### 3.2. Test Setup



#### 3.3. Test Procedure

1. The equipment was set up as per the test configuration to simulate typical actual usage per the user's manual. The EUT is a tabletop system, a wooden table with a height of 0.8 meters is used and is placed on the ground plane as per ANSI C63.10.
2. Support equipment, if needed, was placed as per ANSI C63.10.
3. All I/O cables were positioned to simulate typical actual usage as per ANSI C63.10.
4. If a EUT received DC power from the USB Port of Notebook PC, the PC's adapter received AC120V/60Hz power through a Line Impedance Stabilization Network (LISN) which supplied power source and was grounded to the ground plane.
5. All support equipments received AC power from a second LISN, if any.
6. The EUT test program was started. Emissions were measured on each current carrying line of the EUT using a spectrum Analyzer / Receiver connected to the LISN powering the EUT. The LISN has two monitoring points: Line 1 (Hot Side) and Line 2 (Neutral Side). Two scans were taken: one with Line 1 connected to Analyzer / Receiver and Line 2 connected to a 50 ohm load; the second scan had Line 1 connected to a 50 ohm load and Line 2 connected to the Analyzer / Receiver.
7. Analyzer / Receiver scanned from 150 KHz to 30MHz for emissions in each of the test modes.



### 3.4. Test Result

Not applicable.

Note: EUT power supply by DC Power, so this test item not applicable.

## 4. RADIATED EMISSION TEST

### 4.1. Radiation Limit

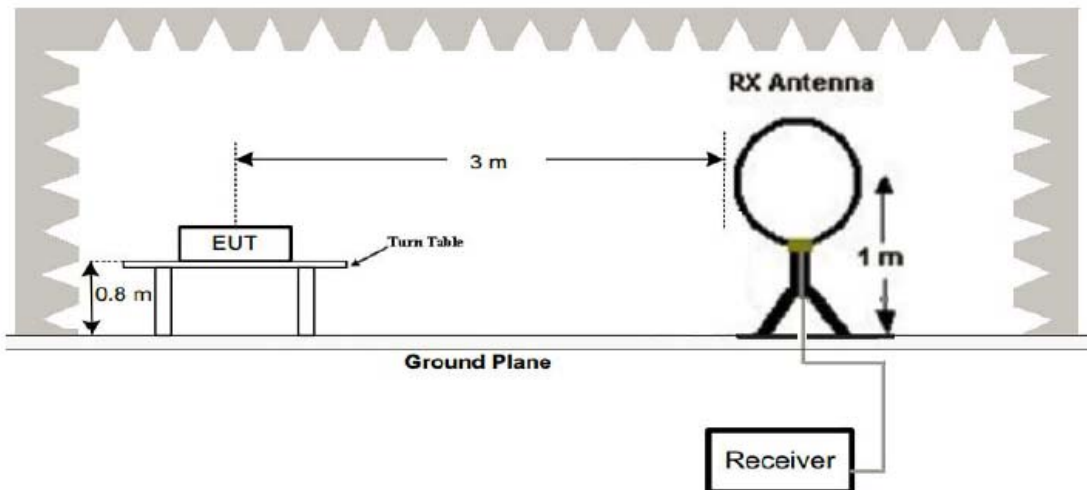
For unintentional device, according to § 15.109(a), except for Class A digital devices, the field strength of radiated emissions from unintentional radiators at a distance of 3 meters shall not exceed the following values:

Frequency (MHz)	Distance (Meters)	Radiated (dB $\mu$ V/m)	Radiated ( $\mu$ V/m)
0.009-0.490	300	20log 2400/F (kHz)	2400/F (kHz)
0.490-1.705	30	20log 24000/F (kHz)	24000/F (kHz)
1.705-30	30	20log 30	30
30-88	3	40	100
88-216	3	43.5	150
216-960	3	46	200
Above 960	3	54	500

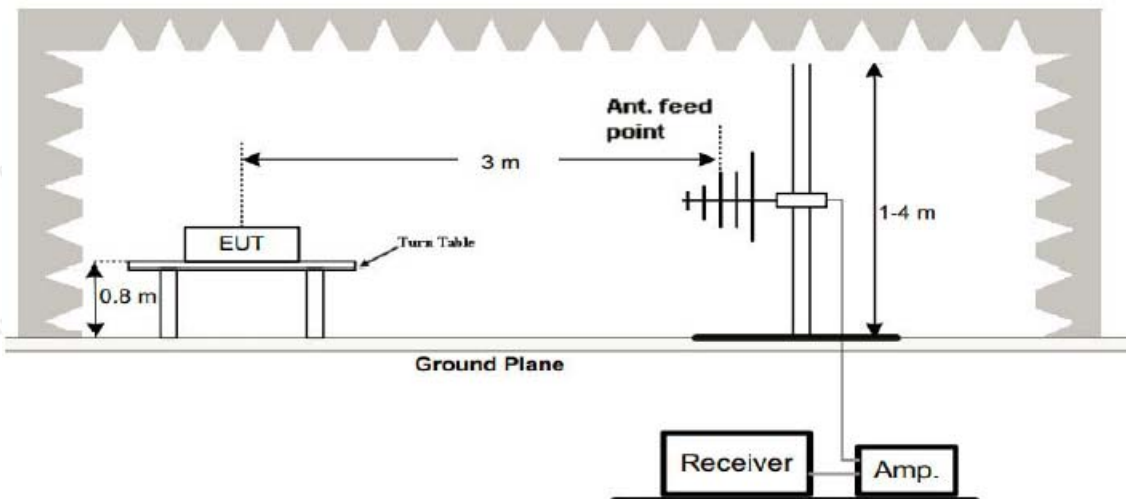
For intentional device, according to § 15.209(a), the general requirement of field strength of radiated emissions from intentional radiators at a distance of 3 meters shall not exceed the above table.

### 4.2. Test Setup

#### (1) Radiated Emission Test-Up Frequency Below 30MHz

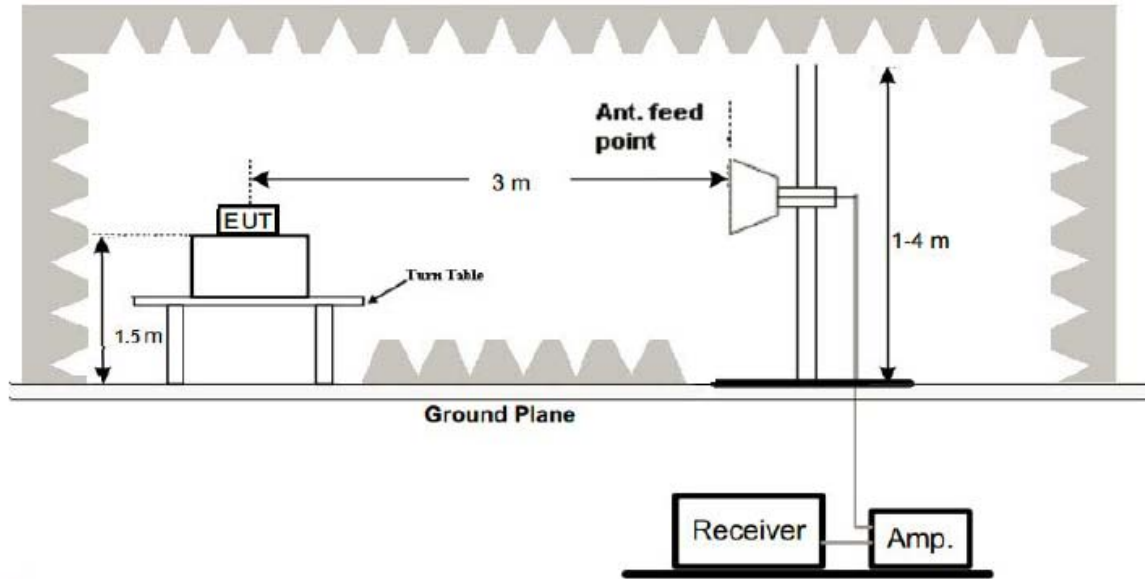


#### (2) Radiated Emission Test-Up Frequency 30MHz~1GHz



The results shown in this test report refer only to the sample(s) tested unless otherwise stated and the sample(s) are retained for 30 days only. The document is issued by HUAKE, this document cannot be reproduced except in full with our prior written permission. The more details and the authenticity of the report will be confirmed at <http://www.cer-mark.com>.

### (3) Radiated Emission Test-Up Frequency Above 1GHz



#### 4.3. Test Procedure

1. Below 1GHz measurement the EUT is placed on turntable which is 0.8m above ground plane. And above 1GHz measurement EUT was placed on low permittivity and low tangent turn table which is 1.5m above ground plane.
2. The turntable shall be rotated for 360 degrees to determine the position of maximum emission level.
3. EUT is set 3m away from the receiving antenna, which is varied from 1m to 4m to find out the highest emissions.
4. Maximum procedure was performed on the six highest emissions to ensure EUT compliance.
5. And also, each emission was to be maximized by changing the polarization of receiving antenna both horizontal and vertical.
6. Repeat above procedures until the measurements for all frequencies are complete.
7. The test frequency range from 9KHz to 25GHz per FCC PART 15.33(a).

#### Note:

For battery operated equipment, the equipment tests shall be performed using a new battery.

#### 4.4. Test Result

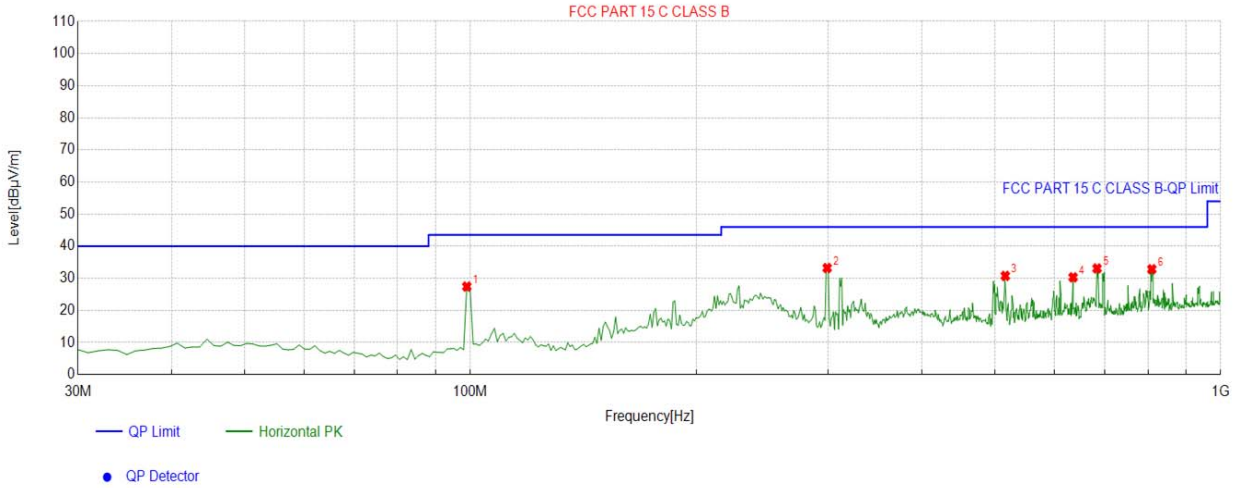
**PASS**

All the test modes completed for test. The worst case of Radiated Emission is CH 01; the test data of this mode was reported.



Below 1GHz Test Results:

Antenna polarity: H



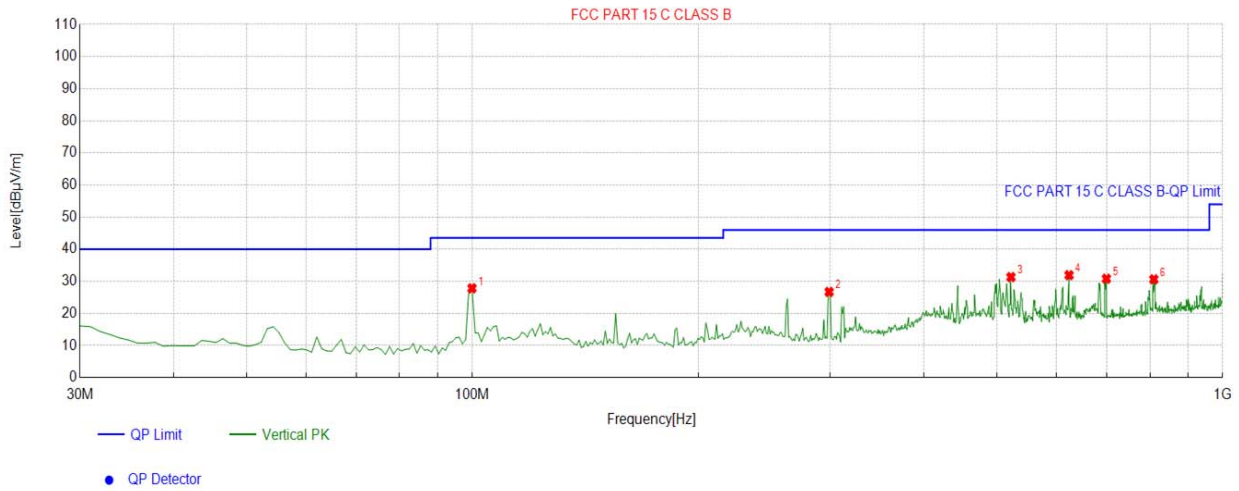
Suspected List									
NO.	Freq. [MHz]	Factor [dB]	Reading [dBµV/m]	Level [dBµV/m]	Limit [dBµV/m]	Margin [dB]	Height [cm]	Angle [°]	Polarity
1	98.9389	-15.58	43.00	27.42	43.50	16.08	100	100	Horizontal
2	298.9590	-12.75	45.95	33.20	46.00	12.80	100	241	Horizontal
3	516.4565	-7.83	38.58	30.75	46.00	15.25	100	34	Horizontal
4	635.8859	-5.58	35.88	30.30	46.00	15.70	100	39	Horizontal
5	684.4344	-5.03	38.10	33.07	46.00	12.93	100	53	Horizontal
6	809.6897	-2.96	35.79	32.83	46.00	13.17	100	39	Horizontal

Remark: Factor = Cable loss + Antenna factor – Preamplifier; Level = Reading + Factor; Margin = Limit – Level

The results shown in this test report refer only to the sample(s) tested unless otherwise stated and the sample(s) are retained for 30 days only. The document is issued by HUAKE, this document cannot be reproduced except in full with our prior written permission. The more details and the authenticity of the report will be confirmed at <http://www.cer-mark.com>.



Antenna polarity: V



Suspected List									
NO.	Freq. [MHz]	Factor [dB]	Reading [dBµV/m]	Level [dBµV/m]	Limit [dBµV/m]	Margin [dB]	Height [cm]	Angle [°]	Polarity
1	99.9099	-15.42	43.24	27.82	43.50	15.68	100	222	Vertical
2	298.9590	-12.75	39.44	26.69	46.00	19.31	100	106	Vertical
3	522.2823	-7.67	38.98	31.31	46.00	14.69	100	1	Vertical
4	624.2342	-5.50	37.41	31.91	46.00	14.09	100	286	Vertical
5	699.9700	-5.06	35.86	30.80	46.00	15.20	100	146	Vertical
6	809.6897	-2.96	33.57	30.61	46.00	15.39	100	156	Vertical

Remark: Factor = Cable loss + Antenna factor – Preamplifier; Level = Reading + Factor; Margin = Limit – Level

### Harmonics and Spurious Emissions

#### Frequency Range (9 kHz-30MHz)

Frequency (MHz)	Level@3m (dBµV/m)	Limit@3m (dBµV/m)
--	--	--
--	--	--
--	--	--
--	--	--

**Note:** 1. Emission Level=Reading+ Cable loss+ Antenna factor-Amp factor.

2. The emission levels are 20 dB below the limit value, which are not reported. It is deemed to comply with the requirement.



Above 1 GHz Test Results:

CH Low (2403MHz)

Horizontal:

Frequency (MHz)	Meter Reading (dBµV)	Factor (dB)	Emission Level (dBµV/m)	Limits (dBµV/m)	Margin (dB)	Detector Type
2403	106.25	-5.84	100.41	114	-13.59	peak
2403	83.37	-5.84	77.53	94	-16.47	AVG
4806	57.22	-3.64	53.58	74	-20.42	peak
4806	44.82	-3.64	41.18	54	-12.82	AVG
7209	53.69	-0.95	52.74	74	-21.26	peak
7209	40.77	-0.95	39.82	54	-14.18	AVG

Remark: Factor = Antenna Factor + Cable Loss – Pre-amplifier.

Vertical:

Frequency (MHz)	Meter Reading (dBµV)	Factor (dB)	Emission Level (dBµV/m)	Limits (dBµV/m)	Margin (dB)	Detector Type
2403	108.19	-5.84	102.35	114	-11.65	peak
2403	81.79	-5.84	75.95	94	-18.05	AVG
4806	56.32	-3.64	52.68	74	-21.32	peak
4806	43.64	-3.64	40	54	-14	AVG
7209	52.28	-0.95	51.33	74	-22.67	peak
7209	40.13	-0.95	39.18	54	-14.82	AVG

Remark: Factor = Antenna Factor + Cable Loss – Pre-amplifier.





CH Middle (2441MHz)

Horizontal:

Frequency (MHz)	Meter Reading (dBμV)	Factor (dB)	Emission Level (dBμV/m)	Limits (dBμV/m)	Margin (dB)	Detector Type
2441	106.25	-5.71	100.54	114	-13.46	peak
2441	79.45	-5.71	73.74	94	-20.26	AVG
4882	56.28	-3.51	52.77	74	-21.23	peak
4882	43.16	-3.51	39.65	54	-14.35	AVG
7323	52.75	-0.82	51.93	74	-22.07	peak
7323	40.37	-0.82	39.55	54	-14.45	AVG

Remark: Factor = Antenna Factor + Cable Loss – Pre-amplifier.

Vertical:

Frequency (MHz)	Meter Reading (dBμV)	Factor (dB)	Emission Level (dBμV/m)	Limits (dBμV/m)	Margin (dB)	Detector Type
2441	106.49	-5.71	100.78	114	-13.22	peak
2441	81.53	-5.71	75.82	94	-18.18	AVG
4882	55.98	-3.51	52.47	74	-21.53	peak
4882	43.27	-3.51	39.76	54	-14.24	AVG
7323	51.62	-0.82	50.8	74	-23.2	peak
7323	41.79	-0.82	40.97	54	-13.03	AVG

Remark: Factor = Antenna Factor + Cable Loss – Pre-amplifier.



CH High (2475MHz)

Horizontal:

Frequency (MHz)	Meter Reading (dBµV)	Factor (dB)	Emission Level (dBµV/m)	Limits (dBµV/m)	Margin (dB)	Detector Type
2475	106.74	-5.65	101.09	114	-12.91	peak
2475	82.33	-5.65	76.68	94	-17.32	AVG
4950	56.71	-3.43	53.28	74	-20.72	peak
4950	42.16	-3.43	38.73	54	-15.27	AVG
7425	51.76	-0.75	51.01	74	-22.99	peak
7425	40.11	-0.75	39.36	54	-14.64	AVG

Remark: Factor = Antenna Factor + Cable Loss – Pre-amplifier.

Vertical:

Frequency (MHz)	Meter Reading (dBµV)	Factor (dB)	Emission Level (dBµV/m)	Limits (dBµV/m)	Margin (dB)	Detector Type
2475	105.42	-5.65	99.77	114	-14.23	peak
2475	81.63	-5.65	75.98	94	-18.02	AVG
4950	56.16	-3.43	52.73	74	-21.27	peak
4950	42.86	-3.43	39.43	54	-14.57	AVG
7425	52.77	-0.75	52.02	74	-21.98	peak
7425	40.13	-0.75	39.38	54	-14.62	AVG

Remark: Factor = Antenna Factor + Cable Loss – Pre-amplifier.

Remark :

- (1) Measuring frequencies from 1 GHz to the 25 GHz.
- (2) "F" denotes fundamental frequency; "H" denotes spurious frequency; "E" denotes band edge frequency.
- (3) \* denotes emission frequency which appearing within the Restricted Bands specified in provision of 15.205, then the general radiated emission limits in 15.209 apply.
- (4) The emissions are attenuated more than 20dB below the permissible limits are not record in the report.
- (5) The IF bandwidth of EMI Test Receiver between 30MHz to 1GHz was 120KHz, 1 MHz for measuring above 1 GHz, below 30MHz was 10KHz. The resolution bandwidth of test receiver/spectrum analyzer is 1MHz and video bandwidth is 3MHz for peak measurement with peak detector at frequency above 1GHz. The resolution bandwidth of test receiver/spectrum analyzer is 1MHz and video bandwidth is 10Hz for Average measurement with peak detection at frequency above 1GHz.
- (6) When the test results of Peak Detected below the limits of Average Detected, the Average Detected is not need completed. For example: Top Channel at Fundamental 73.16dBuV/m(PK Value) <93.98(AV Limit), at harmonic 53.20 dBuV/m(PK Value) <54 dBuV/m(AV Limit), the Average Detected not need to completed.
- (7) All modes of operation were investigated and the worst-case emissions are reported.



## 5. BAND EDGE

### 5.1. Limits

FCC PART 15.249(d) Emissions radiated outside of the specified frequency bands, except for harmonics, shall be attenuated by at least 50 dB below the level of the fundamental or to the general radiated emission limits in §15.209, whichever is the lesser attenuation.

### 5.2. Test Procedure

The band edge compliance of RF radiated emission should be measured by following the guidance in ANSI C63.10 with respect to maximizing the emission by rotating the EUT, measuring the emission while the EUT is situated in three orthogonal planes (if appropriate), adjusting the measurement antenna height and polarization etc. Set RBW to 1MHz and VBM to 3MHz to measure the peak field strength and set RBW to 1MHz and VBW to 10Hz to measure the average radiated field strength.



5.3. Test Result

**PASS**

Radiated Band Edge Test:

Operation Mode: TX CH Low (2403MHz)

Horizontal (Worst case)

Frequency (MHz)	Meter Reading (dBµV)	Factor (dB)	Emission Level (dBµV/m)	Limits (dBµV/m)	Margin (dB)	Detector Type
2310	57.42	-5.81	51.61	74	-22.39	peak
2310	/	-5.81	/	54	/	AVG
2390	56.28	-5.84	50.44	74	-23.56	peak
2390	/	-5.84	/	54	/	AVG
2400	55.73	-5.84	49.89	74	-24.11	peak
2400	/	-5.84	/	54	/	AVG

Remark: Factor = Antenna Factor + Cable Loss – Pre-amplifier.

Vertical:

Frequency (MHz)	Meter Reading (dBµV)	Factor (dB)	Emission Level (dBµV/m)	Limits (dBµV/m)	Margin (dB)	Detector Type
2310	57.27	-5.81	51.46	74	-22.54	peak
2310	/	-5.81	/	54	/	AVG
2390	56.39	-5.84	50.55	74	-23.45	peak
2390	/	-5.84	/	54	/	AVG
2400	55.78	-5.84	49.94	74	-24.06	peak
2400	/	-5.84	/	54	/	AVG

Remark: Factor = Antenna Factor + Cable Loss – Pre-amplifier.



Operation Mode: TX CH High (2475MHz)

Horizontal (Worst case)

Frequency (MHz)	Reading Result (dBµV)	Factor (dB)	Emission Level (dBµV/m)	Limits (dBµV/m)	Margin (dB)	Detector Type
2483.50	56.43	-5.65	50.78	74	-23.22	peak
2483.50	/	-5.65	/	54	/	AVG
2500.00	55.82	-5.65	50.17	74	-23.83	peak
2500.00	/	-5.65	/	54	/	AVG

Remark: Factor = Antenna Factor + Cable Loss – Pre-amplifier.

Vertical:

Frequency (MHz)	Reading Result (dBµV)	Factor (dB)	Emission Level (dBµV/m)	Limits (dBµV/m)	Margin (dB)	Detector Type
2483.50	56.66	-5.65	51.01	74	-22.99	peak
2483.50	/	-5.65	/	54	/	AVG
2500.00	55.17	-5.65	49.52	74	-24.48	peak
2500.00	/	-5.65	/	54	/	AVG

Remark: Factor = Antenna Factor + Cable Loss – Pre-amplifier.

Remark: All the other emissions not reported were too low to read and deemed to comply with FCC limit.



### 6. OCCUPIED BANDWIDTH MEASUREMENT

#### 6.1. Test Setup

Same as Radiated Emission Measurement

#### 6.2. Test Procedure

1. The EUT was placed on a turn table which is 0.8m above ground plane.
2. Set EUT as normal operation.
3. Based on ANSI C63.10 section 6.9.2: RBW= 20KHz. VBW= 62 KHz, Span=3MHz.
4. The useful radiated emission from the EUT was detected by the spectrum analyzer with peak detector.

#### 6.3. Measurement Equipment Used

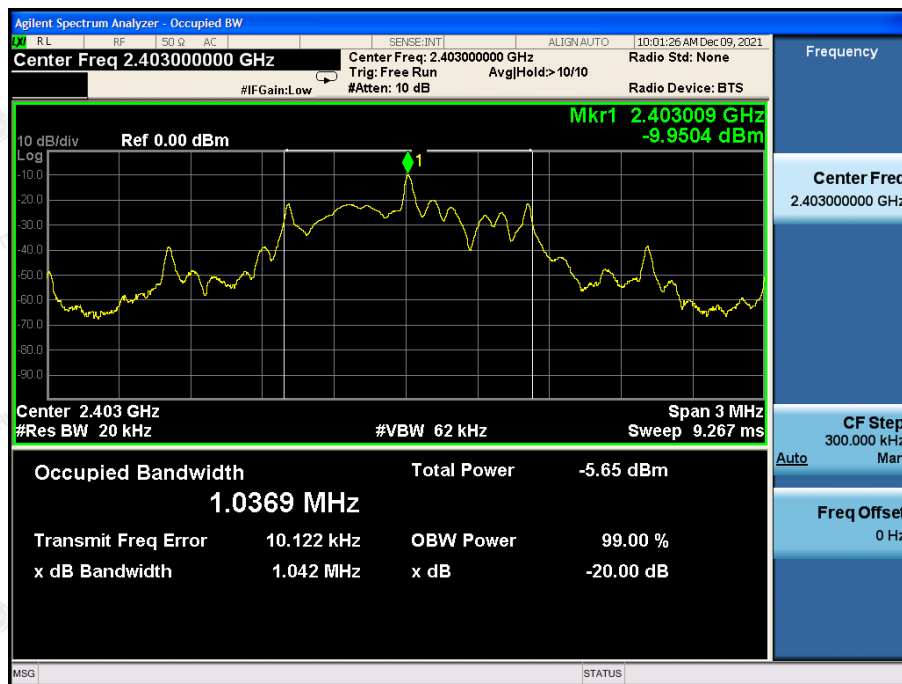
Same as Radiated Emission Measurement

#### 6.4. Test Result

**PASS**

Frequency	20dB Bandwidth (MHz)	Result
2403 MHz	1.042	<b>PASS</b>
2441 MHz	1.042	<b>PASS</b>
2475 MHz	1.043	<b>PASS</b>

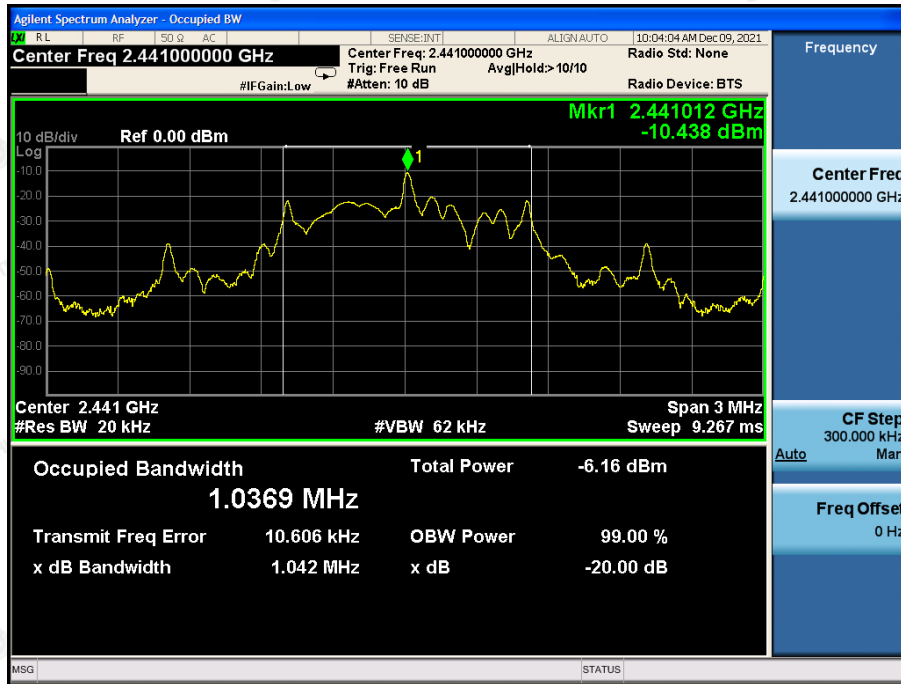
CH: 2403MHz



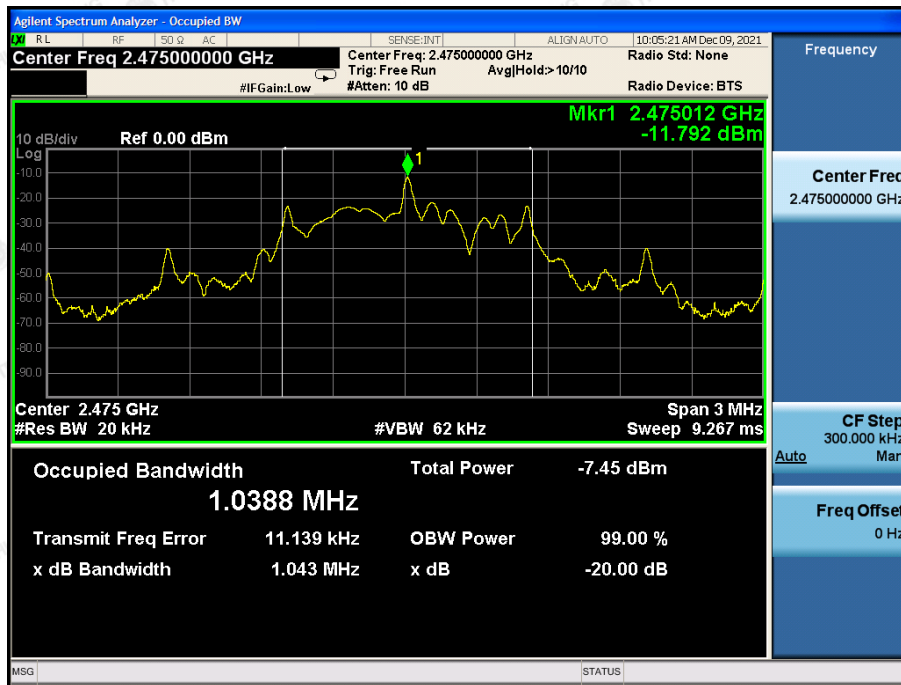
The results shown in this test report refer only to the sample(s) tested unless otherwise stated and the sample(s) are retained for 30 days only. The document is issued by HUAKE, this document cannot be reproduced except in full with our prior written permission. The more details and the authenticity of the report will be confirmed at <http://www.cer-mark.com>.



CH: 2441MHz



CH: 2475MHz



The results shown in this test report refer only to the sample(s) tested unless otherwise stated and the sample(s) are retained for 30 days only. The document is issued by HUAKE, this document cannot be reproduced except in full with our prior written permission. The more details and the authenticity of the report will be confirmed at <http://www.cer-mark.com>.



## 7. ANTENNA REQUIREMENT

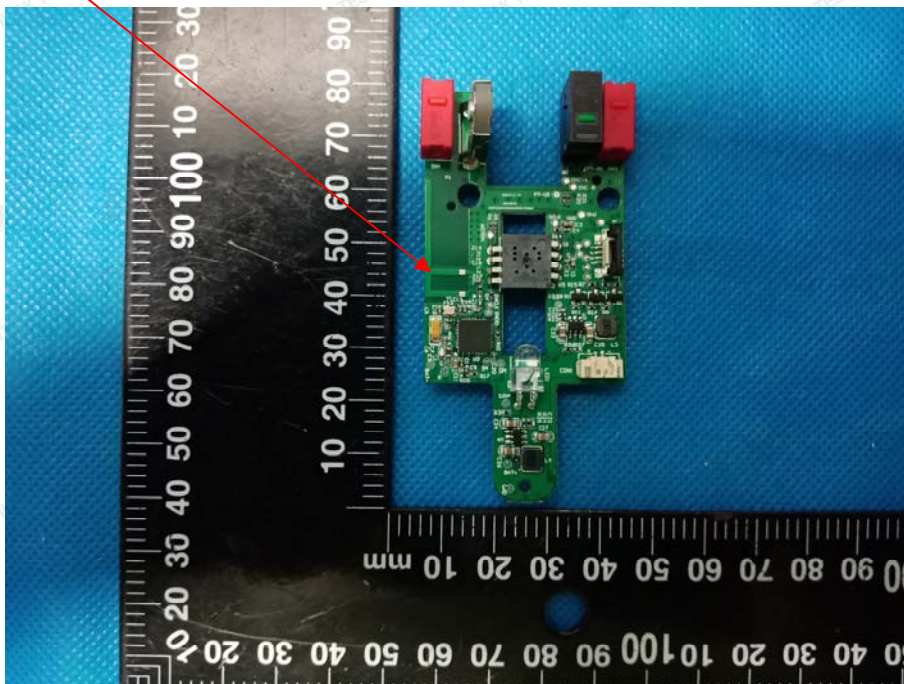
### Standard Applicable

For intentional device, according to FCC 47 CFR Section 15.203, an intentional radiator shall be designed to ensure that no antenna other than that furnished by the responsible party shall be used with the device.

### Antenna Connected Construction

The antenna used in this product is a PCB Antenna, which permanently attached. It conforms to the standard requirements. The directional gains of antenna used for transmitting is 0dBi.

### ANTENNA

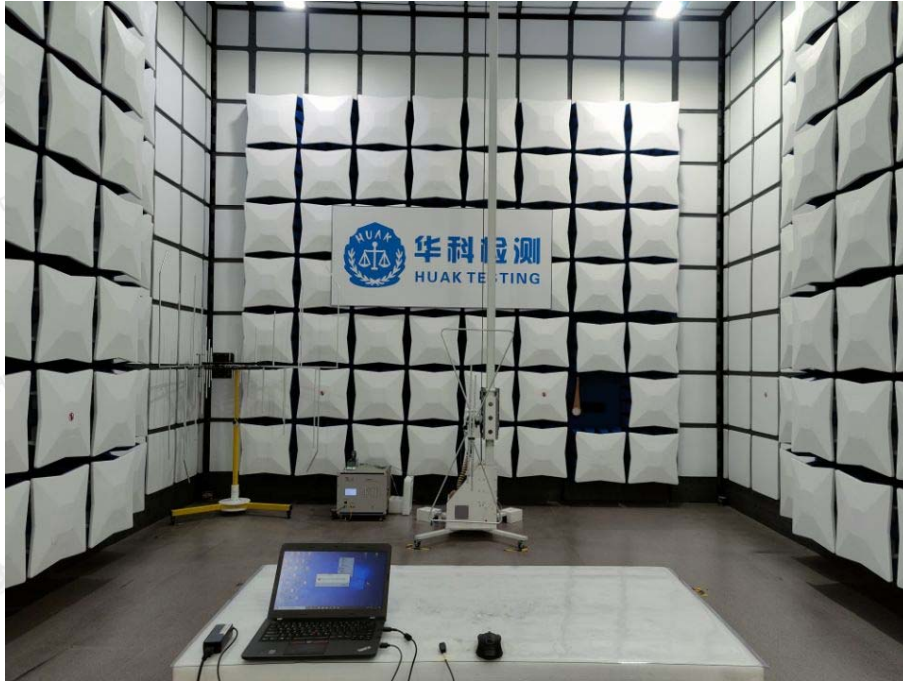






## 8. PHOTOGRAPH OF TEST

### Radiated Emission



The results shown in this test report refer only to the sample(s) tested unless otherwise stated and the sample(s) are retained for 30 days only. The document is issued by HUAK, this document cannot be reproduced except in full with our prior written permission. The more details and the authenticity of the report will be confirmed at <http://www.cer-mark.com>.

HUAK Testing Lab TEL : +86-755 2302 9901 FAX : +86-755 2302 9901 E-mail : [service@cer-mark.com](mailto:service@cer-mark.com)

1-2/F., Building B2, Junfeng Zhongcheng Zhizao Innovation Park, Heping, Fuhai Street, Bao'an District, Shenzhen, Guangdong, China



## 9. PHOTOS OF THE EUT

Reference to the report: ANNEX A of external photos and ANNEX B of internal photos.

-----End of test report-----