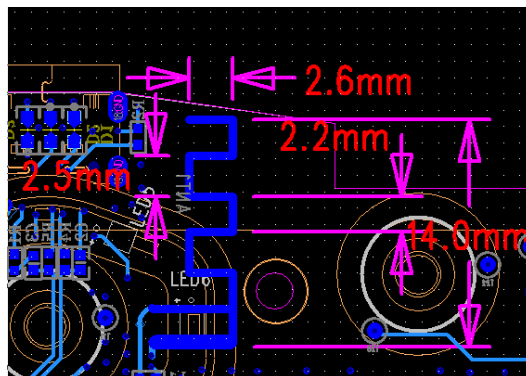


TP016A ANTENNA SPECIFICATION

Summary

ITEM	Controller ANT SPEC					
Model Name						
Center Frequency	Horizontal			Vertical		
	2403MHz	2441MHz	2480MHz	2403MHz	2441MHz	2480MHz
	-5.78	-5.65	-5.32	-7.3	-4.5	-1.5
MAX. Gain	-1.5dBi					
Polarization	Horizontal and Vertical					
Azimuth Beam Pattern	Omni-directional					
Impedance	50 Ohm					
Antenna Length	14mm					
Antenna Model Name	F model					
Manufacture	DONGGUAN SHUO CHUANG ELECTRONICS CO LTD					
Address:	TONGFUWESTROAD,SHIJETOWN DONGGUAN,GUANGDONG,CHINA					

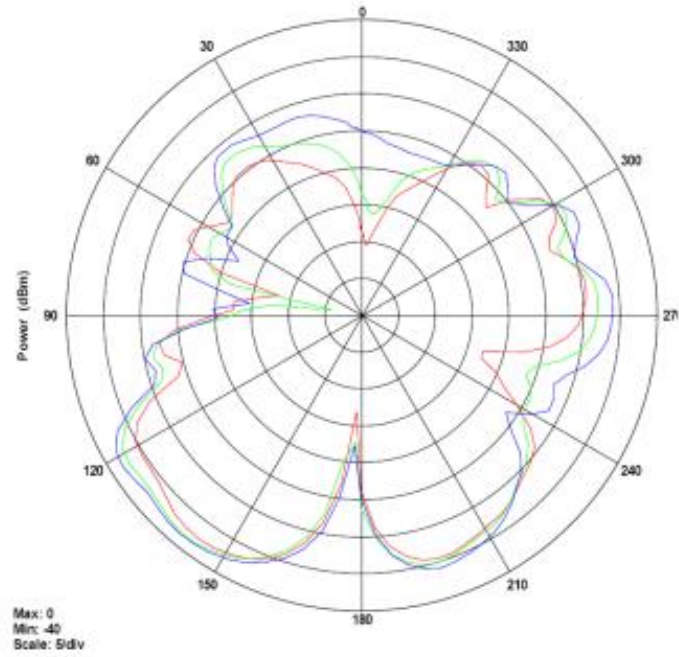
Antenna Photo & Length (mm)



Horizontal: 2400 MHz 2450 MHz 2500 MHz

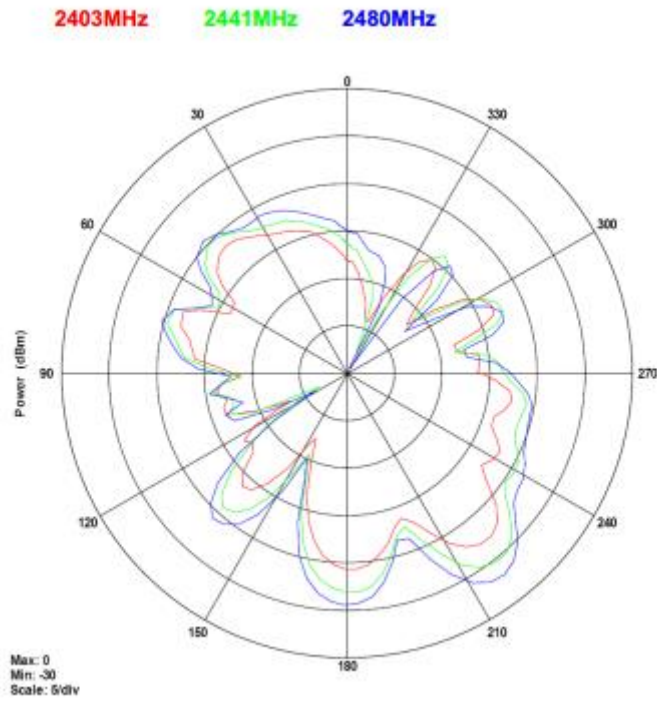
Power (dBm)

2403MHz 2441MHz 2480MHz



Frequency (MHz)	Gain(dB)		
	Max	Min	Avg
2403	-5.78	-30.52	-9.78
2441	-5.65	-35.46	-8.65
2480	-5.32	-24.45	-7.32

Vertical: 2400 MHz 2450 MHz 2500 MHz
 Power (dBm)



Frequency (MHz)	Gain(dB)		
	Max	Min	Avg
2403	-7.2	-24.8	-13.3
2441	-4.5	-27.6	-11.7
2480	-1.5	-29.4	-10.3