

【Contents】

Preface	02
Product overview	03
Product highlights	04
Packing list	05
Product introduction	06
Operation instruction	07/15
Technical parameters	17
Trouble shooting	18

Preface

☞ Safety information

Before start, please strictly follow the safety precautions below

Do not do the followings:

Unauthorized repairs or product modification and replacement.

Improper use in places overheating, with lots of moisture or nearby strong magnetic devices.

Switch to power which is not compliant with the rated voltage range

☞ Use guide

Turn off the switch before connecting any other devices.

Raise transmitter and receiver to the height of 6.56ft/2 meters when in crowded situation.

Keep away from the equipments with strong radio waves or other devices with 5GHZ wireless bandwidth.

Clean the air vent in certain time.

Cut the power off(take battery out, unplug the power cord or micro USB 5V) when you do not operate this product for quite a long period of time. Pack it well and keep it in a dry place

☞ About the manual

Please read this manual throughout before use and carefully keep it for future reference.

Any problem or suggestion, please contact the distributor or supplier in time.

FeiDu reserves the authority to modify the manual without prior notice.

Product Overview

FeiDu wireless video transmitter/receiver is independently developed and researched by FeiDu team. It is newly upgraded version.

FWT-200 adopts most advanced wireless communication technology at present.

It perfectly performs broadcast-quality HDMI 1080P full HD video signal transmission with no compression, no loss and low latency. It is affordable for most people and offers you professional use experience.

The device comes light and quite flexible. Instead of bulky and cumbersome as most other models in the market currently, it is easy and pleasing on the eyes and convenient to carry for outdoor shooting.

It is widely applied to Film &TV shooting and teaching, wedding photography and live events etc.

Product Highlights

★ **[Uncompressed Full HD HDMI transmission]**

Support HDMI 1080P input/output;

★ **[200meters transmission distance]**

The included antennas provide a powerful signal that can travel up to 650'/200m Line of Sight. 984'/300m can be reached in extreme conditions such as outdoor without interference;

★ **[Frequency channel pairing done before delivery]**

Transmitter and receiver link automatically. Users do not need to pair them manually. Do not need external internet;

★ **[Multicast support]**

Every transmitter is capable of transmitting to 4 receivers simultaneously. Three sets are available at the same time.;

★ **[Various power options]**

Three different powering ways(DC7-25V, power bank, F550 series battery) meets your requirements under different conditions and occasions;

★ **[Uninterruptible Power Supply]**

Battery and power bank can be used at the same time shortly to protect transmission from being interrupted due to battery exchange. Battery integrated design and built-in battery plate make installation quick and convenient;

⊗ Battery and power bank can not be used for a long time simultaneously.

★ **[DFS function enabled]**

DFS function is employed to meet different strict requirements regarding wireless product in different countries

★ **[withstand wear and tear]**

CNC oxidation treatment and Aluminum Alloy material enable the device solid as well as durable. Glossy processing on edge make it looks beautiful and exquisite

★ **[Small size and compact]**

The set only weighs 205g/pcs(0.45lb/pcs).The length is 4cm smaller than iPhone X. It is easy to carry and practical

★ **[Match different photography accessories]**

The interface is designed with universal 1/4 threaded hole with can connect with magic arm, tripod, camera hot shoe adaptor and other accessories etc. It ensures simple and quick set-up for your units.

★ **[HDMI loop out port]**

HDMI loop out port provides convenient real-time monitoring on transmission end.

★ **[Support AES128 bit encryption]**

Transmission is encrypted to guarantee more safety and reliable protection.

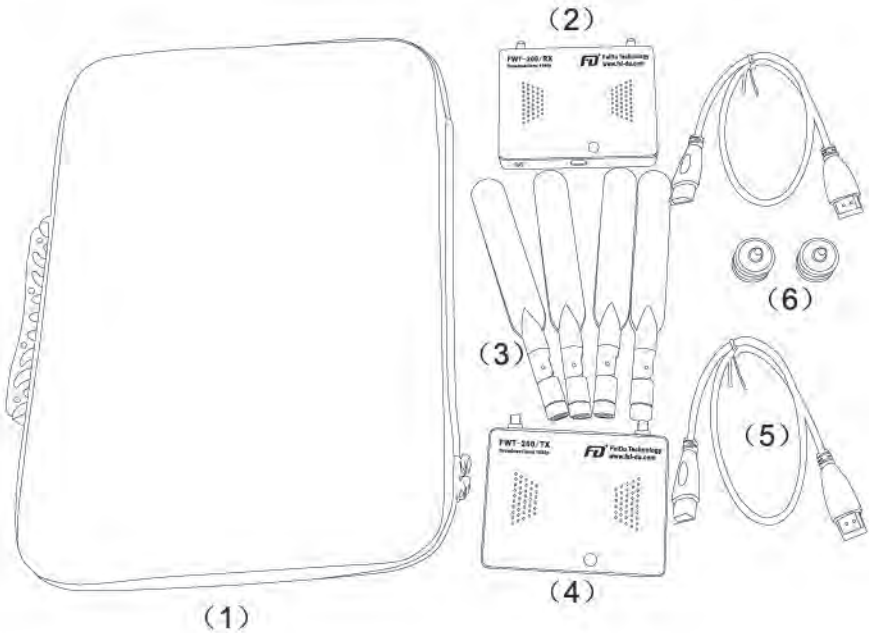
★ **[long-lasting operation hours]**

Internal high performance and low power consuming chip extends operation hours and solves the problem of frequent charging after long time use.

Packing list

Please check the package inside to assure it contains the parts as below.

If any part missed, please contact the distributor or supplier.



(1) .Carry case*1

(2) .Receiver*1

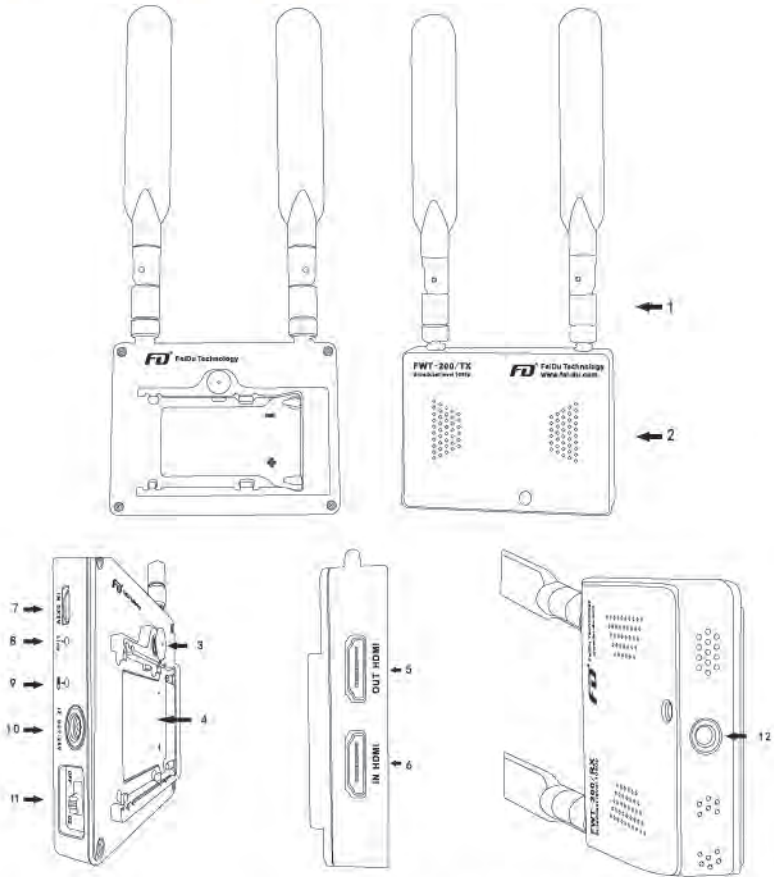
(3) . Antenna*4

(4) .Transmitter*1

(5) .HDMI cable*2

(6) .Hot shoe adaptor*2

Product introduction



- | | |
|---|------------------------|
| (1) transmitter/receiver signal antenna | (7) Micro USB 5V IN |
| (2) Transmitter/receiver body | (8) Link Indicator |
| (3) Battery safety lock button | (9) Battery indicator |
| (4) Battery Amount | (10) DC 7-25V in |
| (5) HDMI OUT | (11) Switch |
| (6) HDMI IN | (12) 1/4 threaded hole |

Operation instruction

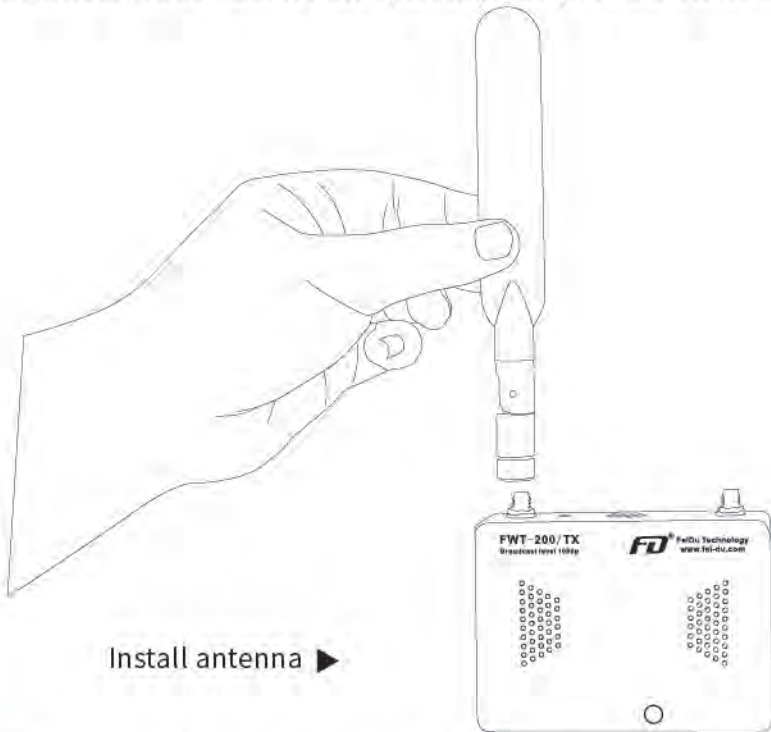
⊘ Warning ⚠ Attention

Step 1: Connect 4 antennas with the Female Connector on the top of the main body before operating. (2 antennas for transmitter, 2 antennas for receiver)

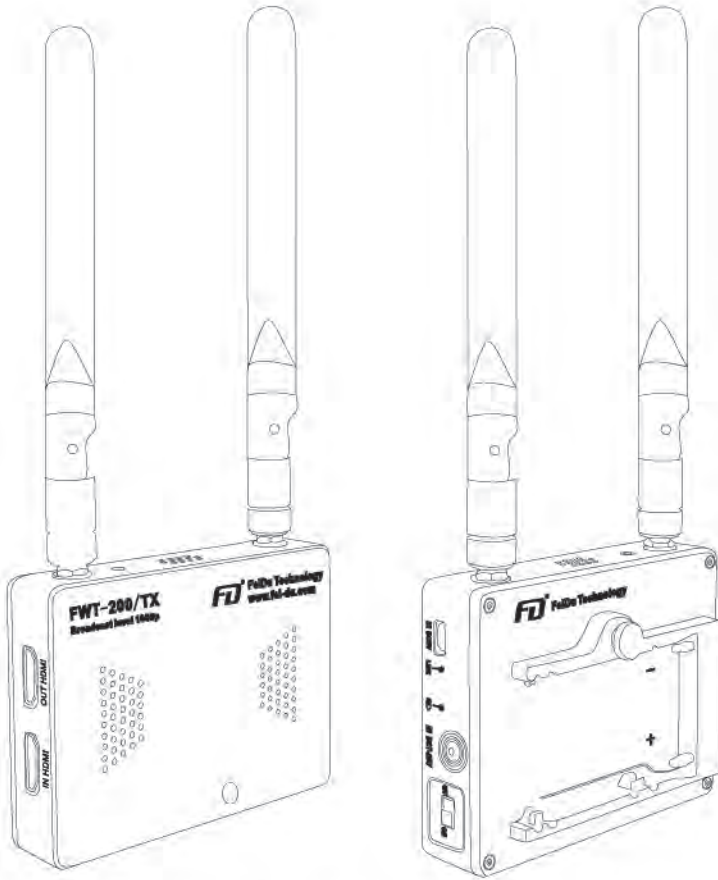
HDMI in port of the transmitter connect the video source device (camera or camcorder)

HDMI out port of the receiver connect the monitor.

The antenna should stand vertical upwards (As the picture shows below)



⚠ Signal is best when panels of Transmitter and Receiver are parallel to each other (As the picture shows below)



Transmitter and receiver should be parallel ▲

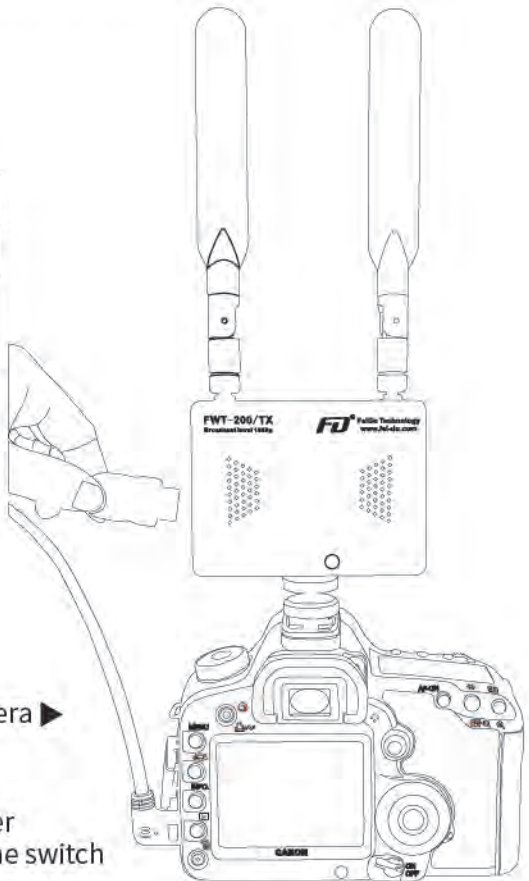
⊘ Do not start the device without installing the antenna

⊘ Warning ⚠ Attention

Step 2: There is 1/4 threaded hole on the bottom of transmitter and receiver. Install hot shoe adaptor to transmitter and receiver body. Connect the transmitter to video source (camera or camcorder) via HDMI cable connect the receiver to monitor via HDMI cable

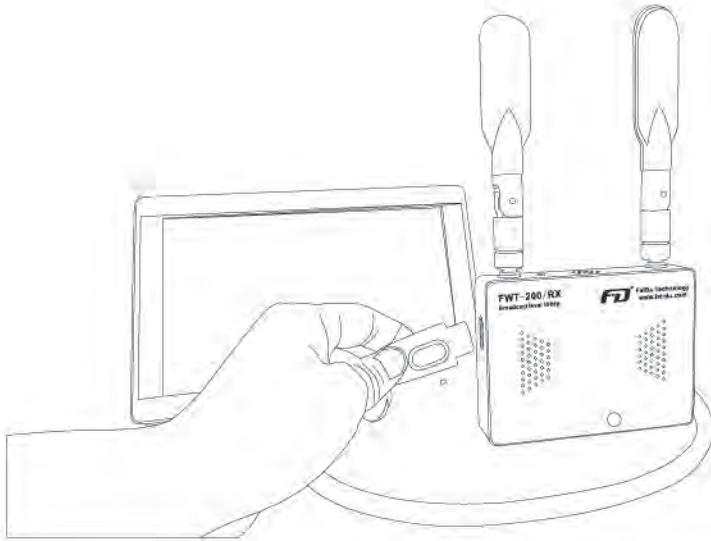


▲ Install hot shoe adaptor



connect transmitter to camera ►

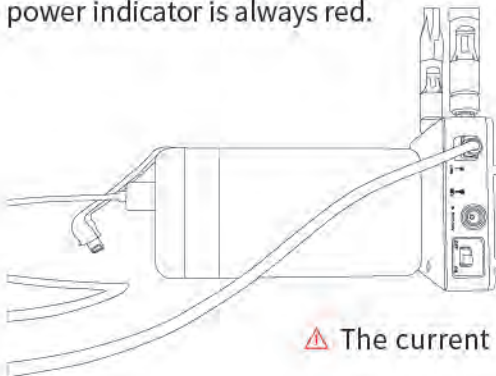
⚠ Please firstly connect power supply before turning on the switch



▲ connect receiver to monitor

Step 3:connect power supply.(connect 7-25V wide voltage,5V power bank or F550, F750,F970 battery)

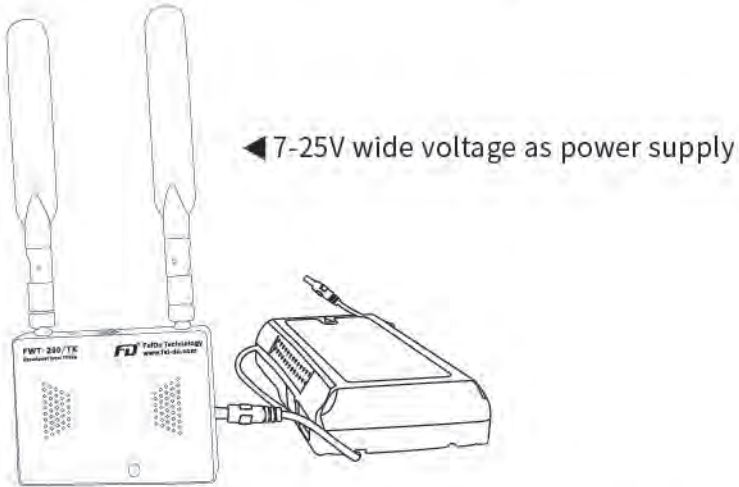
1、Micro UBS 5V as power supply: An external 5V DC power device such as power bank etc can plug in as power source. In this situation,the power indicator is always red.



◀ Power bank as power supply

⚠ The current should be limited up to 1A

2. Wide voltage as power supply: 7-25V wide voltage power cord can plug in

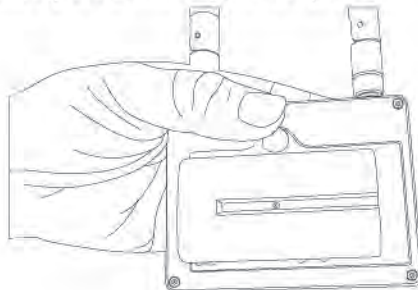


3. Battery as power supply.

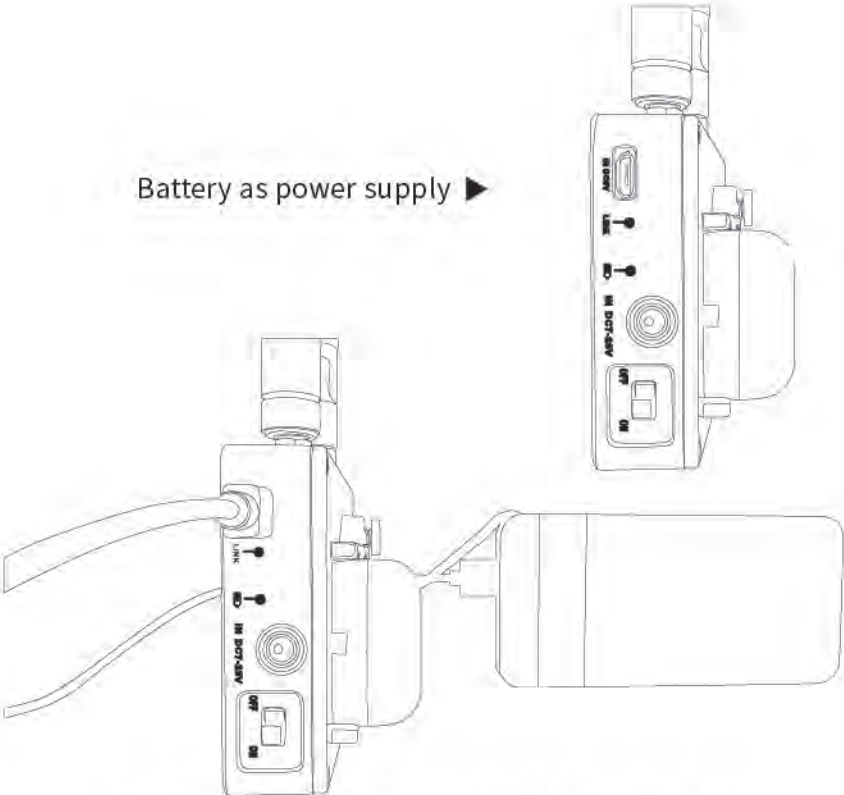
The Sony F550 series battery (F550,F750,F970)is an ideal powering way when shooting outdoor. The batteries can be directly mounted on the rear built-in battery plate.

(press the red button to install or release the battery)

When F550 series battery is used as power supply, the power indicator can directly reflect the power percentage. Green light- full power. Yellow light-middle power. Red light-low power.



Battery as power supply ►



▲ Micro 5V and battery are used at the same time shortly for convenient battery exchange

Low battery is negative for signal transmission. Please charge in time.
Do not connect 7-25V power source when battery is using!
But when power percentage is low, a micro USB 5V can plug in shortly for battery exchange without signal transmission being interrupted

Step 4: Switch on the transmitter and receiver, the power indicator is on.

For power indicator color:

- a) If power source is battery, the indicator color reflects power percentage as described above.
- b) if micro USB 5V(always Red indicator)or wide voltage 7V-25V (always green indicator) is used as power source, The indicator color only means that power is connected and does not relate to power percentage. The link indicator starts to flash slowly when the device boots normally.

Step 5: The transmitter and receiver link automatically after connecting power supply.

It is around 40 seconds from starting up to data transmission.

The link is done when the link indicator flashes quickly.

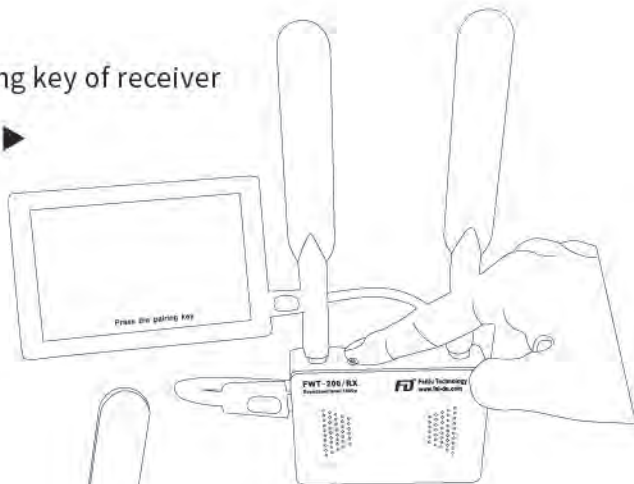
If link fails after trying for a long time, Please restart.

Step 6: Frequency pairing.

If the transmitter and receiver boot normally but can not link under special environment Please pair the transmitter and receiver manually.

- a)Start the transmitter and receiver. Wait until the link indicator flashes slowly.
- b)Press the frequency pairing key of the receiver firstly.
About 20 seconds later, the monitor displays “Press the pairing key”
- c)press the pairing key of the transmitter. On the screen of the monitor , it shows "connecting-connected-no signal" Then the monitor screen will show the image which is caught by transmitter from the camera. It takes about 50 seconds to complete the process.
And the frequency pairing is done at this time

Press the pairing key of receiver



Press pairing key of transmitter

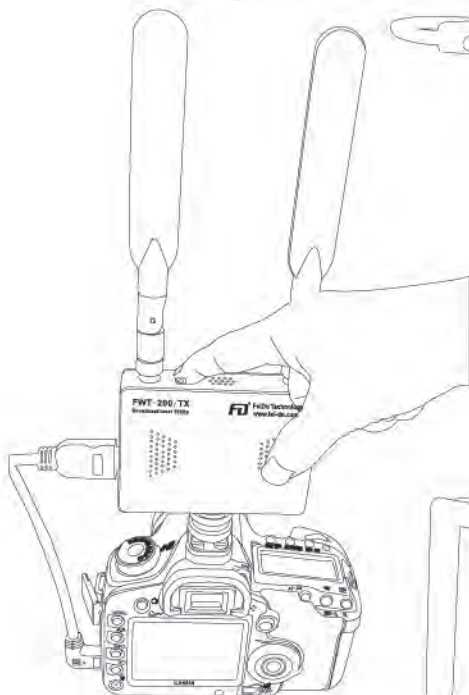
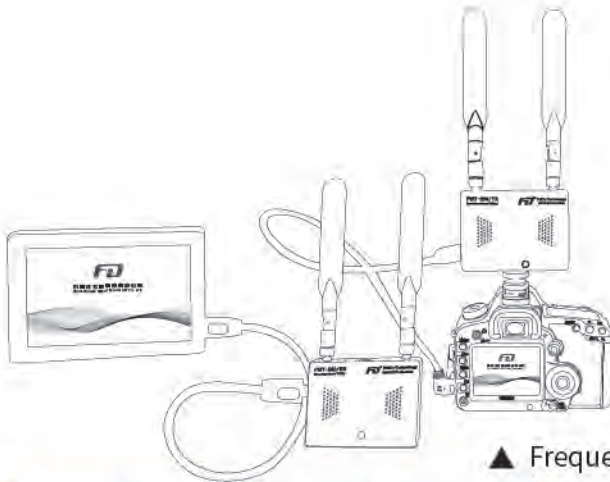


Image on screen





▲ Frequency pairing done

[ways to connect one transmitter to two/three/four receivers]

- 1.install batteries to transmitter and receivers.
Connect transmitter/receiver to video source device/ monitor with HDMI cable.
- 2.Turn on Transmitter and receiver to start the devices normally.
("Searching TX" appears on the monitor screen). Link indicator of receiver flashes. After the transmitter boots,the HDMI out port will work and link indicator flashes.
- 3.After starting the device normally,firstly press the pairing key of receiver (link indicator flashes quickly) .The monitor will show" press the pairing key" on the screen.then press the pairing key of transmitter, on the screen of the monitor , it shows "connecting -connected-no signal" At last,the monitor screen will show the image which is caught by transmitter from the camera.
- 4.At this time, the link is done.

Remarks:

1. The second/third/fourth receiver do not relate to previous receivers. The previous transmitter and receiver can be directly used after connecting power supply.
- 2.This way also works with one transmitter to one receiver. The operation of pressing the pairing key of transmitter will not interfere its normal operation

Technical parameters

Item No.	FWT-200
Net Weight:	205g/pcs (0.45 lb/pcs) do not include cable.
Dimension	10*7.5*2.8 cm (3.94*2.95*1.10") (include built-in Battery Plate,do not include antenna)
material	Aluminum alloy
Built-in Battery Plate	Compatible with Sony L Series Battery such as F550 F750 F970 etc.
Working hours	F550 for about 3 hours F750 for about 5 hours F970 for about 7 hours
Current	8V 600MA/400MA
power supply	7-25V DC,5V(power bank available)
Video format	1080P(60HZ,50HZ,30HZ,25HZ)/720P/480P
Frequency	5745-5825MHz
interface	HDMI/input(only transmitter) HDMI loop out, antenna port*2, Micro USB-5V Power port, 7V-25V power port, F550 Battery series power port
HDMI standard	HDMI 1.4
power indicator	Green light for full power, Yellow light for medium power, Red light for low power(please charge)
transmission distance	650ft/200M+ (Light of Sight propagation)
Environment temperature	0°C -45°C (32°F-113°F)
Transmitter/receiver Highest working temperature:	50°C(122°F) transmitter/40°C(104°F) receiver

Trouble shooting

No image on monitor screen

- (1) Wait patiently for 40seconds
 - (2) check power connection and switch on the transmitter and receiver.
 - (3) Screw tightly of transmitter and receiver. Check whether HDMI cable plug in tightly.
 - (4) Check the format of video resource to assure the compatibility.
- Progressive scan camera or camcorder is supported. Interlaced scan ones are not available

fail to link

- (1) If the link indicator does not flash for a long time after start, please cut off the power supply firstly and reboot.
- (2) If link indicator flashes slowly but the transmitter and receiver can not link. Please restart. If they still can not link successfully after trying for many times, please press the pairing key manually to match the frequency again.
- (3) Please contact supplier or distributor for other problems.

Warning:

This device complies with Part 15 of the FCC Rules. Operation is subject to the following two conditions: (1) this device may not cause harmful interference, and (2) this device must accept any interference received, including interference that may cause undesired operation.

changes or modifications not expressly approved by the party responsible for compliance could void the user's authority to operate the equipment.

NOTE: This equipment has been tested and found to comply with the limits for a Class B digital device, pursuant to Part 15 of the FCC Rules. These limits are designed to provide reasonable protection against harmful interference in a residential installation. This equipment generates, uses and can radiate radio frequency energy and, if not installed and used in accordance with the instructions, may cause harmful interference to radio communications. However, there is no guarantee that interference will not occur in a particular installation. If this equipment does cause harmful interference to radio or television reception, which can be determined by turning the equipment off and on, the user is encouraged to try to correct the interference by one or more of the following measures:

- Reorient or relocate the receiving antenna.
- Increase the separation between the equipment and receiver.
- Connect the equipment into an outlet on a circuit different from that to which the receiver is connected.
- Consult the dealer or an experienced radio/TV technician for help.

NOTE: This device and its antenna(s) must not be co-located or operation in conjunction with any other antenna or transmitter

RF Exposure Statement

To maintain compliance with FCC's RF Exposure guidelines, This equipment should be installed and operated with minimum distance of 20cm the radiator your body. This device and its antenna(s) must not be co-located or operation in conjunction with any other antenna or transmitter