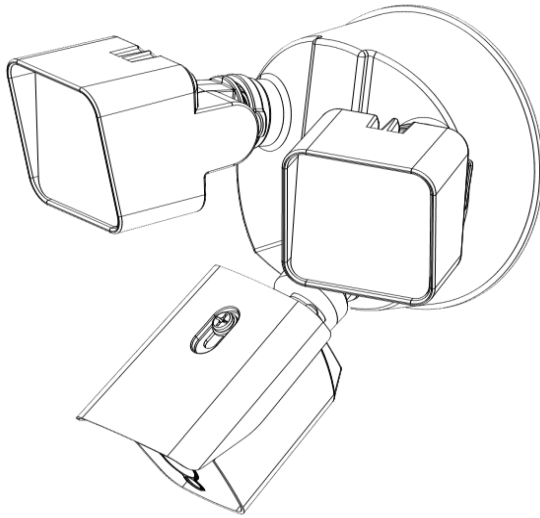


INSTRUCTION MANUAL

Wi-Fi Floodlight Camcorder Instruction Manual



IMPORTANT SAFETY INFORMATION

IMPORTANT: Read these instructions carefully and look at the equipment to become familiar with it before installation.

These instructions assume you're replacing an existing floodlight and/or have a junction box where Floodlight Camcorder can be mounted. If you don't have a junction box, then you'll need to hire a professional electrician to install one or install the device.

In the use of the product, you must be in strict compliance with the electrical safety regulations of the nation and region. Please refer to technical specifications for detailed information.

Disconnect power at the fuse or circuit breaker before installing.

NOTE:

- ◆ Do not handle any working device or attempt to turn on the power of the device with wet hand or while standing on a wet or damp surface or in water.
- ◆ Do not use the wires under excessive tension or compression loading
- ◆ Do not use aggressive or abrasive detergents to clean body of the device
- ◆ Verify that the supply voltage is correct. Connect fixture to a 100-240 V~ 50/60 Hz power source.
- ◆ Do not look inside the lights.
- ◆ This product is fit for installations on garages, outdoor wall, house roof etc.

◆if the product does NOT work properly ,please contact your dealer or the nearest service center. Never attempt to disassemble the camera yourself.

WARNING: FAILURE TO FOLLOW THESE INSTRUCTION MAY RESULT IN A POTENTIALLY FATAL ELECTRICAL SHOCK OR PROPERTY DAMAGE

PRE-INSTALLATION

Check and make sure below accessories are included out of the box



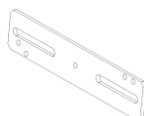
wire nut



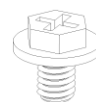
Rubber plug



Fix screw



Mounting bracket



Green Screw



Ground wire



EVA



Setup Connection Cable

The camcorder normally is installed above 3 meters high place, to avoid setting up on the ladder, we provide a setup connection cable so that you can set up beside router before installation.

First, Connect two wires of the setup connection cable with your floodlight camcorder separately and fix them with the wire nut in the accessory kit. (Black to Brown, white to blue , Green is Ground, use it when you do the real installation). Plug the cable plug to your socket you will hear “System is ready” after a while.

Operation Manual

1. Downloading and Installing the App.



E-yard For IOS



E-yard for Google



E-yard for Android

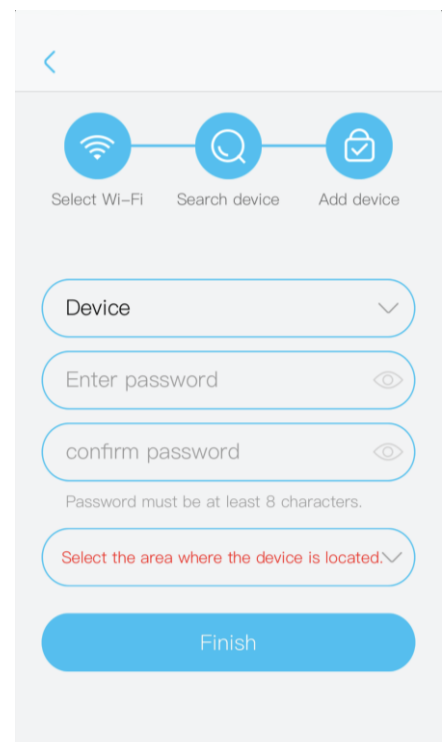
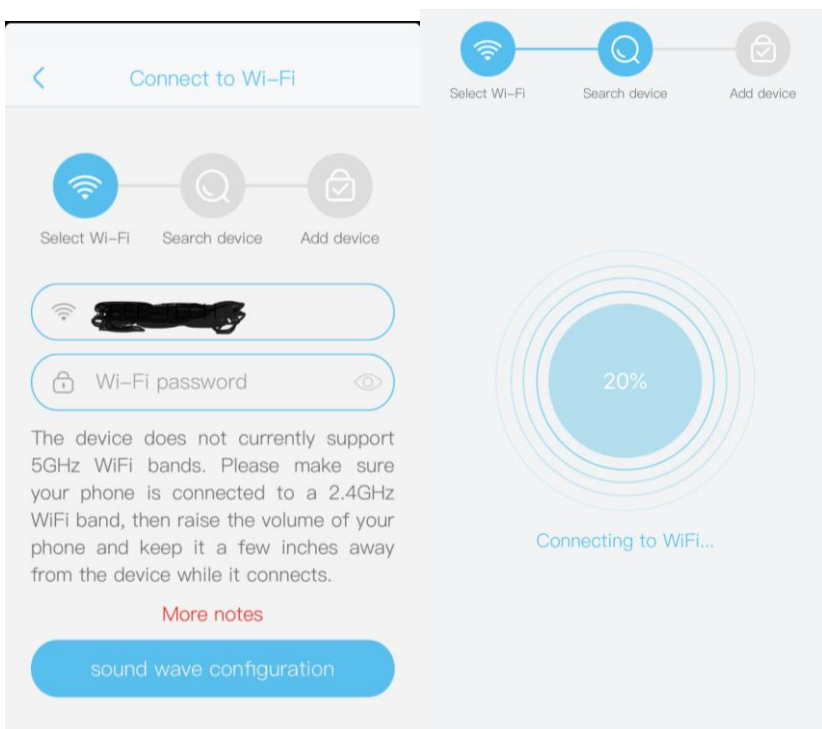
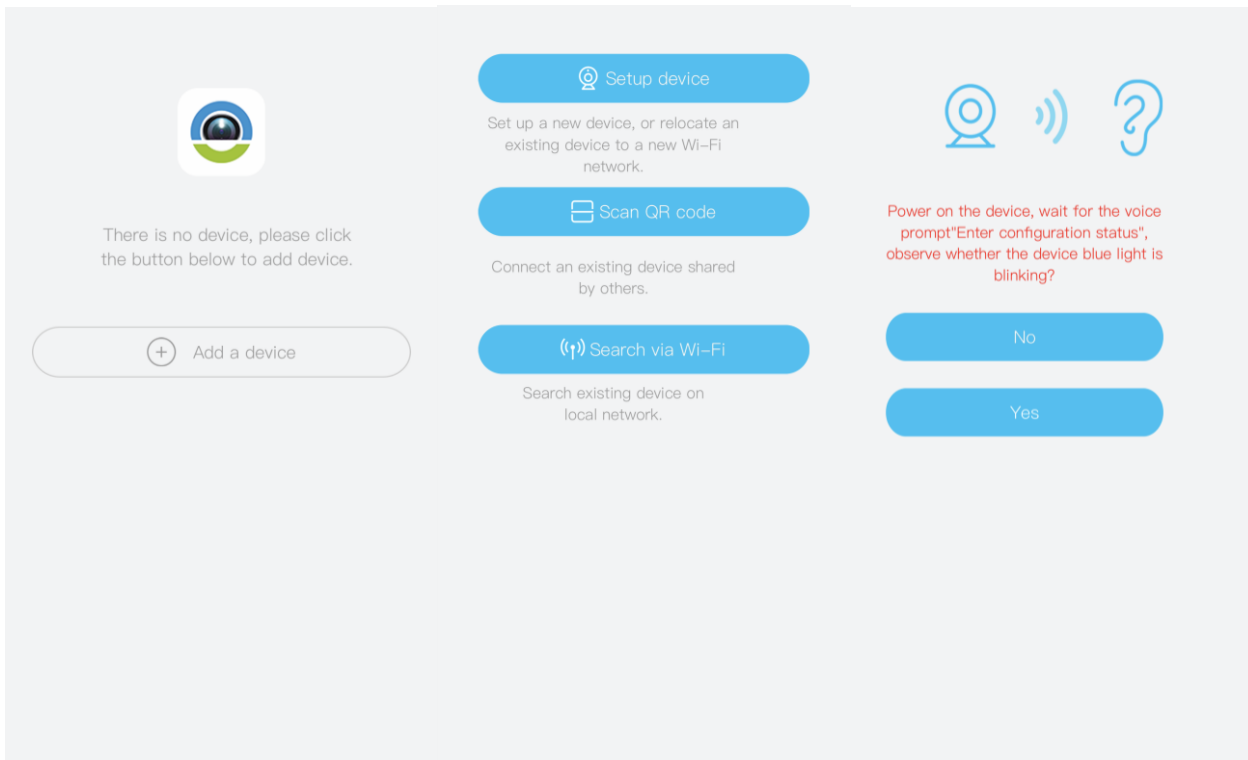
2. Wi-Fi Set Up

Turn on the power of the camcorder, after a while, you will hear:

System ready, the camera is now ready to begin pairing

Remind: Make sure your mobile is near the device when it is pairing. And your mobile phone volume is ON

When you hear Wi-Fi is connected, the last apps page below should be prompted, if not, it is normally because your Wi-Fi router has some delay, please reset your router and device to add device again.



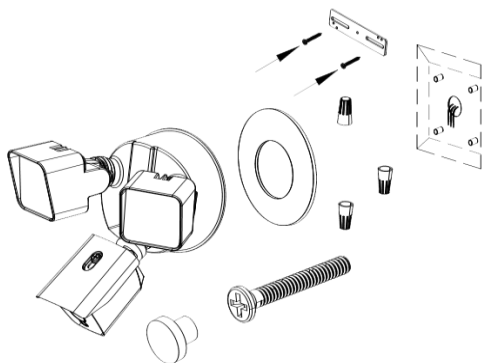
Follow the instruction of the device to set up Wi-Fi connection step by step. Or you can watch the video how to set up the camcorder Wi-Fi connection.

Remind: The password needs to be with at least 8 digit including upper and lower letter and numbers.

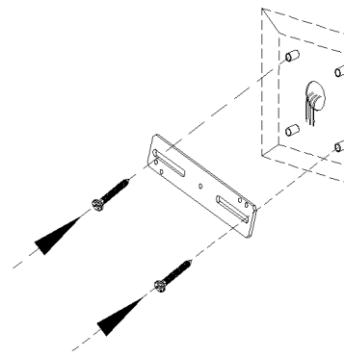
INSTALLATION WITH A JUNCTION BOX

Note: Disconnect power at the fuse or circuit breaker before installing.

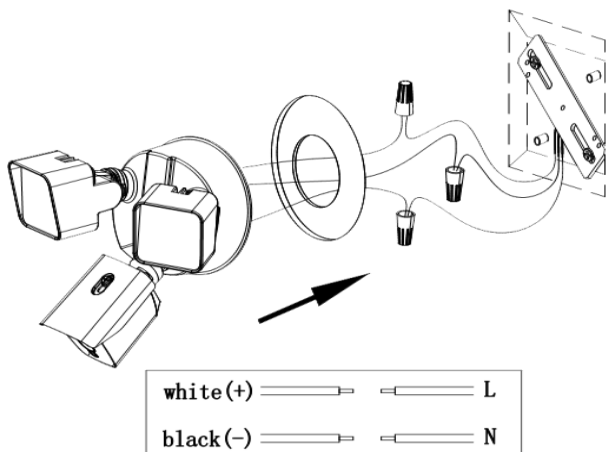
1. Installation parts display.



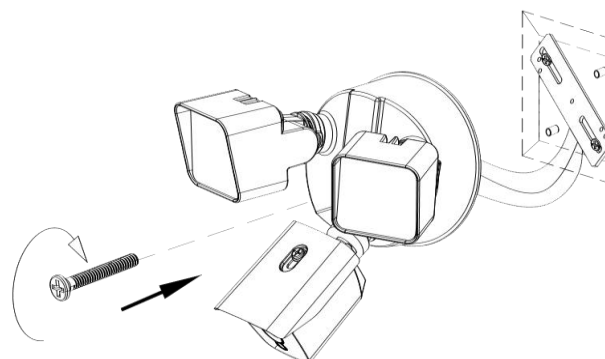
2. Mounting bracket to wall junction box.



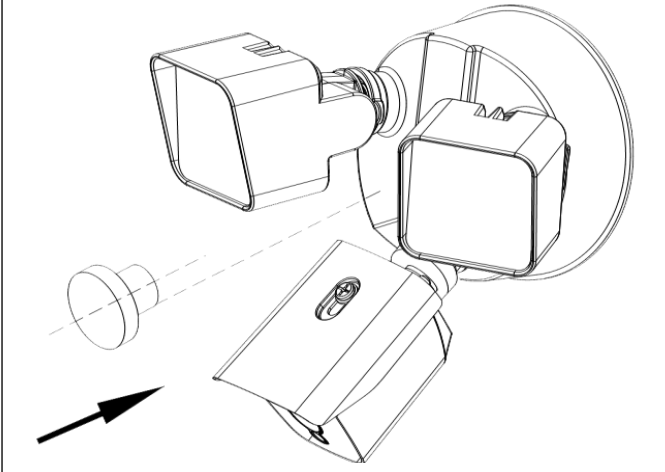
3. The wire pass through EVA pad, and use wire nut to connect the junction box wire.



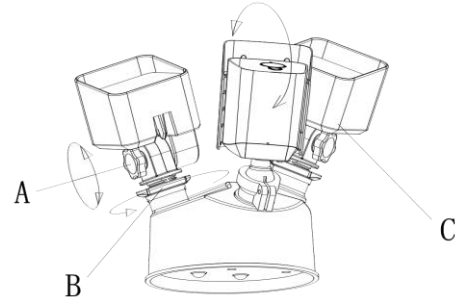
4. Lamp body is aligned with the hole on the bracket of the junction box, and use screw fixed in the middle of the bottom box.



5. Plug the hole with a rubber plug, waterproof and dust proof.



6. refer to the picture below: loose the screws A and B, Adjust the heads of the lights to the direction you want. (it is upside down out of the box) and then tight the screws. Adjust the camera C to the ideal direction, make sure the antenna is properly secured.



Restore power at the breaker

After restoring power, the lights will turn on and your Floodlight Camcorder will begin speaking to you to let you know the system is ready and Wi-Fi is connected.

FCC Statement

This equipment has been tested and found to comply with the limits for a Class B digital device, pursuant to Part 15 of the FCC Rules. These limits are designed to provide reasonable protection against harmful interference in a residential installation. This equipment generates uses and can radiate radio frequency energy and, if not installed and used in accordance with the instructions, may cause harmful interference to radio communications. However, there is no guarantee that interference will not occur in a particular installation. If this equipment does cause harmful interference to radio or television reception, which can be determined by turning the equipment off and on, the user is encouraged to try to correct the interference by one or more of the following measures:

- Reorient or relocate the receiving antenna.
- Increase the separation between the equipment and receiver.
- Connect the equipment into an outlet on a circuit different from that to which the receiver is connected.
- Consult the dealer or an experienced radio/TV technician for help.

This device complies with part 15 of the FCC Rules. Operation is subject to the following two conditions:

(1) This device may not cause harmful interference, and (2) this device must accept any interference received, including interference that may cause undesired operation.

Changes or modifications not expressly approved by the party responsible for compliance could void the user's authority to operate the equipment.

The antenna(s) used for this transmitter must be installed to provide a separation distance of at least 20 cm from all persons and must not be co-located or operating in conjunction with any other antenna or transmitter.