

Bluetooth Headphones

SP604

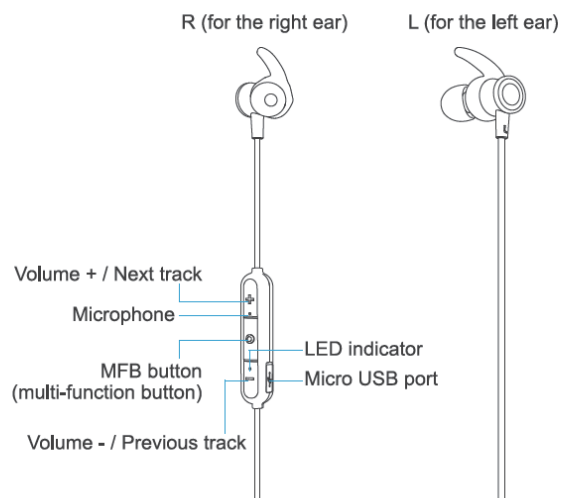
User Manual

Thank you for purchasing our products. This manual addresses the safety guidelines, warranty and operating instructions. Please review this manual thoroughly before operating your device.

01 Package Contents

- Bluetooth headphones × 1
- Interchangeable ear tips × 3 pairs (large, medium, small)
- Interchangeable ear fins × 2 pairs (large, small)
- Interchangeable earbud cover × 1
- Wire clip (removable) × 1
- Micro USB cable × 1
- Eva bag × 1
- User manual × 1

02 At a Glance



- 2 -

LED Indicator Guide

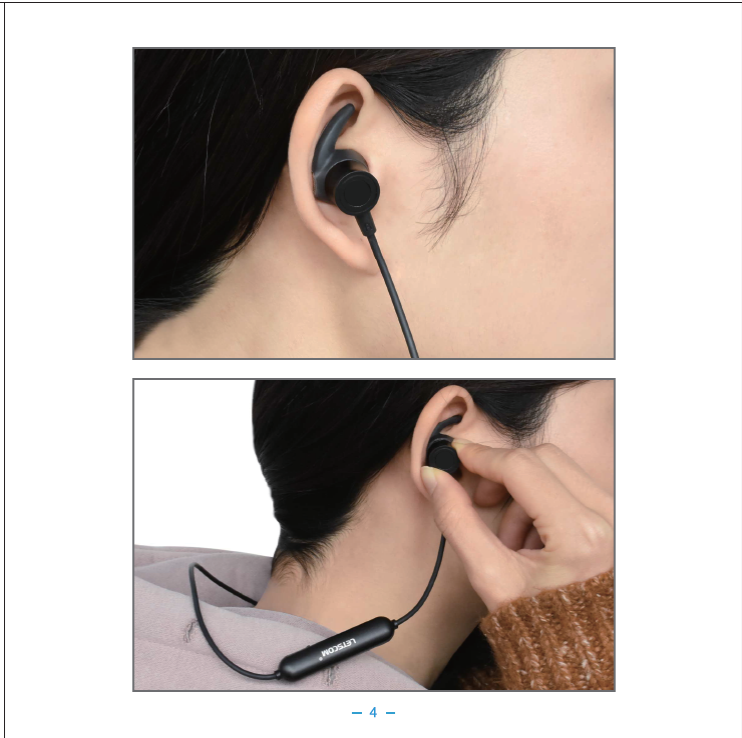
- Power on/off: LED indicator flashes red and blue once
- Pairing mode: LED indicator flashes red and blue alternately
- Connected to a Bluetooth device: LED indicator flashes blue twice every 4 seconds
- Disconnected: LED indicator flashes red and blue alternately
- Being charged: LED indicator stays red and turns blue once fully charged
- Low battery: LED indicator flashes red twice every 4 seconds and a voice reminder prompts
- Reset: LED indicator flashes red and blue 3 times

03 Get Comfortable

● Wearing the Headphones

1. Identify the right and left earpieces.
2. Insert the earbuds into your ears.
3. Adjust each earpiece until it fits flush in your ear and the ear tip seals in the ear canal.

- 3 -



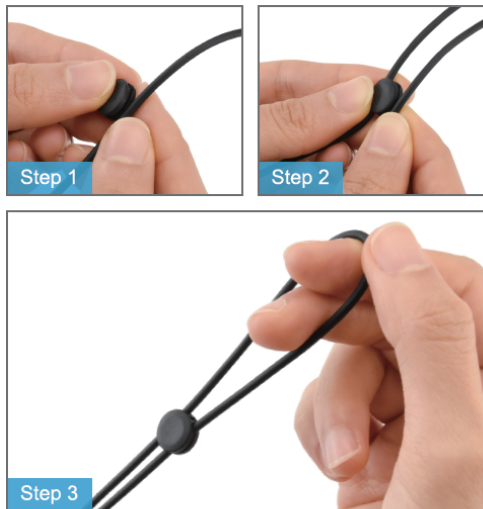
● **Replace Ear Tips/Ear Covers/Ear Fins**



Note:

The headphones come with 3 pairs of interchangeable ear tips, 2 pairs of ear fins and a pair of earbud cover. The ear tips and ear fins are in different sizes. Please choose the right size of ear tips and ear fins to find the most secure and comfortable option for yourself (normally the medium ones are suitable for 75% of people).

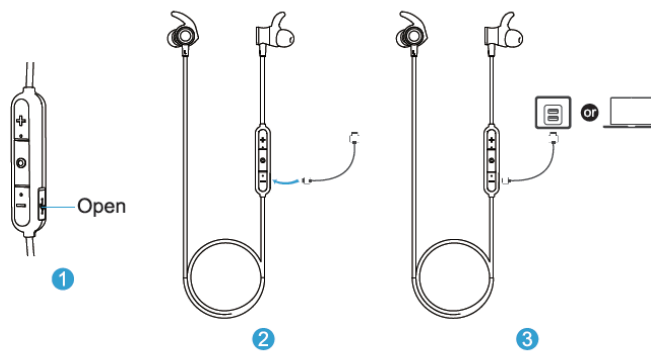
● Use the Wire Clip



04 Using the Headphones

● Charge the headphones

- 1) Open the hinged door beside the "-" button.
- 2) Plug the small end of the USB cable into the Micro USB port of the headphones.
- 3) Plug the other end into a USB wall charger or computer (DC 5V) that is powered on.



Notes:

- Fully charge the headphones before using them for the first time.
- The indicator is red during charge.
- The indicator turns blue when the headphones are fully charged.
- The indicator flashes red and a voice reminder prompts when the headphones are in low battery.

● **Power on/off**

- Power on: Press and hold the MFB button for 4 seconds.
- Power off: Press and hold the MFB button for 4 seconds when the headphones are on.

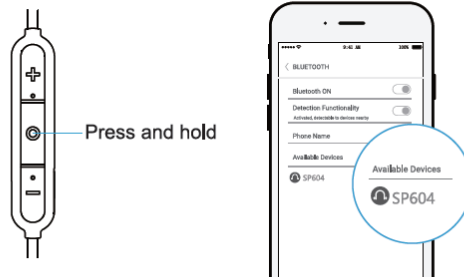
● **Pair**

Please turn off other Bluetooth devices nearby, and make sure the headphones and your phone or other Bluetooth device are close enough (within 3 feet) before pairing.

- 1) Turn on the Bluetooth of your Bluetooth device.
- 2) Make sure the headphones are off and press and hold the MFB button until the LED indicator flashes red and blue alternately (you will hear the voice prompt "power on" first, just keep holding the MFB button and you will hear the voice prompt "pairing"). Now the headphones enter pairing mode.

- 8 -

- 3) In the list of found Bluetooth devices in your Bluetooth devices, choose "SP604" to pair. When you hear the voice prompt "connecting", the pairing is successful.
- 4) Enter "0000" or "1234" if your Bluetooth device asks you to enter a code to pair.



Notes:

- When the headphones are on but not paired with a Bluetooth device, they will exit the pairing mode and be automatically off in 5 minute (to enter pairing mode again, turn on the headphones).
- The headphones will connect to the last paired Bluetooth device automatically when they are turned on. Please turn on the Bluetooth of your Bluetooth device before turning on the headphones.

- 9 -

● **Connect to two Bluetooth devices at the same time**

- 1) Pair the headphones with the first phone.
- 2) After a successful pairing, turn off the headphones and the Bluetooth of the first phone.
- 3) Pair the Bluetooth headphones with the second phone.
- 4) After a successful pairing, turn on the Bluetooth of the first phone, tap "SP604" in the first phone to connect, then the headphones are connected to these two phones at the same time.

● **Play/pause playing songs**

Press the MFB button to pause and press the MFB button again to resume playing songs.

● **Previous/Next song**

Press the "+" or "-" button for 2 seconds to skip to the next or previous song.

● **Volume**

Press the "+" or "-" button to increase or decrease the volume.

– 10 –

● **Answer/hang up/reject calls**

- Press the MFB button or operate on your phone to answer an incoming call.
- Press the MFB button or operate on your phone to hang up an ongoing call.
- Press and hold the MFB button for 3 seconds to reject an incoming call.

● **Redial the last number**

Press the MFB button twice quickly.

● **Reset the headphones/Clear all pairing information on the headphones**

Turn on the headphones. Press the "+" and "-" button simultaneously until the indicator flashes red and blue 3 times and then the indicator flashes red and blue alternatively.

– 11 –

05 FAQs

Q:I paired the headphones with my phone before, but I failed to pair them to my phone again?

A: Turn on the Bluetooth of your phone and in "MY DEVICES", choose "SP604" and tap "ⓘ"→"Forget This Device". Then pair the headphones with your phone again following the instructions in the previous part "Pair".

Q:I paired the headphones with my phone, but I am not hearing any sound?

A: Make sure the headphones/phone are/is not muted. Some phones ask for setup of the wireless headphones as an audio output device before sound is transmitted. Please refer to the instructions of your phone for details. If you use a music player or other devices, please make sure it supports A2DP stereo music profile.

Q:Why isn't the sound stable and consistent?

A: Make sure you headphones stay close to your phone (not away from your phone more than 33 feet, no obstacles between) and there is no radio or Wi-Fi interference nearby.

– 12 –

Q:Can I use the headphones during charging?

A: No, you can't use the headphones during charging.

Q:My headphones will not switch on.

A: Please recharge the headphones and make sure they have enough battery power. If they are fully charged and still nothing happens or if you are not able to charge the unit, please contact our customer support for further information.

06 Specifications

Bluetooth Standard: V5.0

Wireless Profile: HFP, A2DP, HSP, AVRCP

Operating Range: 33 feet/10 meters (No obstacles between)

Waterproof Rate: IPX5

Charging Time: 1.5 hours

Talk/Playing Time: about 6-8 hours (Varies according to volume level and audio content)

Charging Voltage: DC 5V

Charging Current: 5V 1A

Battery Capacity: 73mAh/3.7V

– 13 –

07 Attention



Use original or certified cables.



Don't expose to liquids.



Don't disassemble.



Avoid dropping.



Avoid extreme temperatures.

SAFETY AND WARRANTY

Important Safety Instructions

- Use of headphones will impair your ability to hear other sounds. Use caution while using your headphones when you are engaging in any activity that requires your full attention.
- If you have a pacemaker or other electrical medical devices, you should consult your physician before using this product.
- This package contains small parts that may be hazardous to children and should be kept out of reach from children. This product is not a toy – never allow children to play with this product. Always store the product out of reach from children. The bags themselves or the many small parts they contain may cause choking if ingested.
- Never try to dismantle the product yourself, or push objects of any kind into the products, as this may cause short circuits which could result in a fire or electric shock.
- None of the components can be replaced or repaired by users. Only authorized dealers or service centers may open the product. If any parts of your product require replacement for any reason, including normal wear and tear or breakage, please contact us.
- Avoid exposing your product to heat and humidity to protect against damage to the product or injury to you.
- Keep all products, cords, and cables away from operating machinery.

- If the product overheats, if the product has been dropped or damaged, if the product has a damaged cord or plug, or if the product has been dropped in a liquid, discontinue use and contact us.
- Do NOT use in areas where there are explosive hazards.
- Do NOT submerge the headphones in water. Do NOT expose the headphones to moving water (e.g., from a faucet, etc.).
- Do NOT wear the headphones while showering or bathing, or when participating in water sports, e.g., swimming, waterskiing, surfing, etc.
- This product contains magnetic material. Consult your physician on whether this might affect your implantable medical device.
- Leaving the product in hot or cold places, such as in a closed car in the summer and winter conditions, will reduce the capacity and lifetime of the headphones.
- Dispose of the product according to local standards and regulations.
- **Remember:** Always drive safely, avoid distractions and follow local laws!

Using the headphones while operating a motor vehicle, motorcycle, watercraft or bicycle may be dangerous, and is illegal in some jurisdictions, just as use of the headphones with both ears covered while driving is not permitted in certain jurisdictions. Check your local laws. Use caution while using your headphones when you are engaging in any activity that requires your full attention. While engaging in any such activity, removing the headphones from your ear or turning off your headphones will keep you from being distracted, so as to avoid accident or injury. Do not take notes or read documents while driving.

Federal Communications Commission (FCC) Statement

This device complies with part 15 of the FCC Rules. Operation is subject to the following two conditions: (1) This device may not cause harmful interference, and (2) this device must accept any interference received, including interference that may cause undesired operation.

Note: This equipment has been tested and found to comply with the limits for a Class B digital device, pursuant to part 15 of the FCC Rules. These limits are designed to provide reasonable protection against harmful interference in a residential installation. This equipment generates, uses and can radiate radio frequency energy and, if not installed and used in accordance with the instructions, may cause harmful interference to radio communications. However, there is no guarantee that interference will not occur in a particular installation. If this equipment does cause harmful interference to radio or television reception, which can be determined by turning the equipment off and on, the user is encouraged to try to correct the interference by one or more of the following measures:

- Reorient or relocate the receiving antenna.
- Increase the separation between the equipment and receiver.
- Connect the equipment into an outlet on a circuit different from that to which the receiver is connected.
- Consult the dealer or an experienced radio/TV technician for help.

Warning: Changes or modifications made to this device not expressly approved by SHENZHEN MIFANG NETWORK TECHNOLOGY CO., LTD may void the FCC authorization to operate this device.

Note: The manufacturer is not responsible for any radio or TV interference caused by unauthorized modifications to this equipment. Such modifications could void the user's authority to operate the equipment.