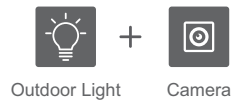


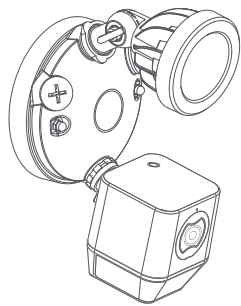
Quick Installation Guide



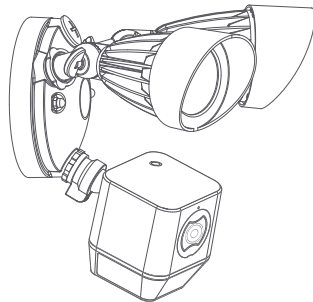
QF608

Floodlight Cam

REV-2.1.1



Basic Version

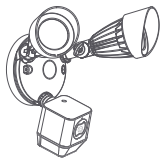


Upgraded Version

US Standard Installation Manual

1.Packing List

Open the package, then make sure the floodlight cam(device) is intact, and with all the below accessories.



Smart Floodlight Cam



Installation Manual

Please refer to the installation pictures in Floodlight Cam App, and read this manual and keep it handy during installation.



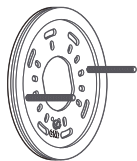
Screwdriver

Use the screwdriver handle to tighten the cap nuts.



Phillips Bit

Use the Phillips bit for installing the mounting bracket



Mounting Bracket

Use this bracket to attach to your junction box to secure your Floodlight Cam.

⚠ Then make sure you have a junction box ready where Floodlight Cam can be mounted. If you don't have a junction box, you'll need to hire an electrician to install one.



Bracket Screw (4)

Use 2 to 4 of these to attach the supplied bracket to your junction box.



Wire Nuts (3)

Use these to connect Floodlight Cam's wires to your existing wires.



Cap Nuts (2)

Use these to secure your Floodlight Cam to the posts on the mounting bracket to complete the installation.



Hook

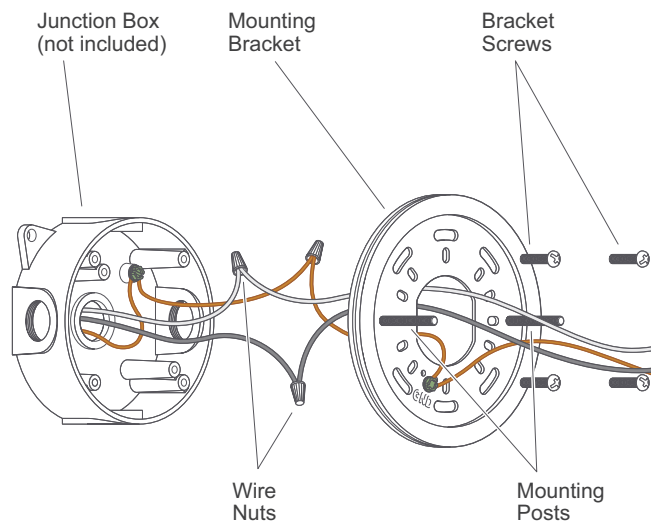
Hang your Floodlight Cam while connecting the wires.

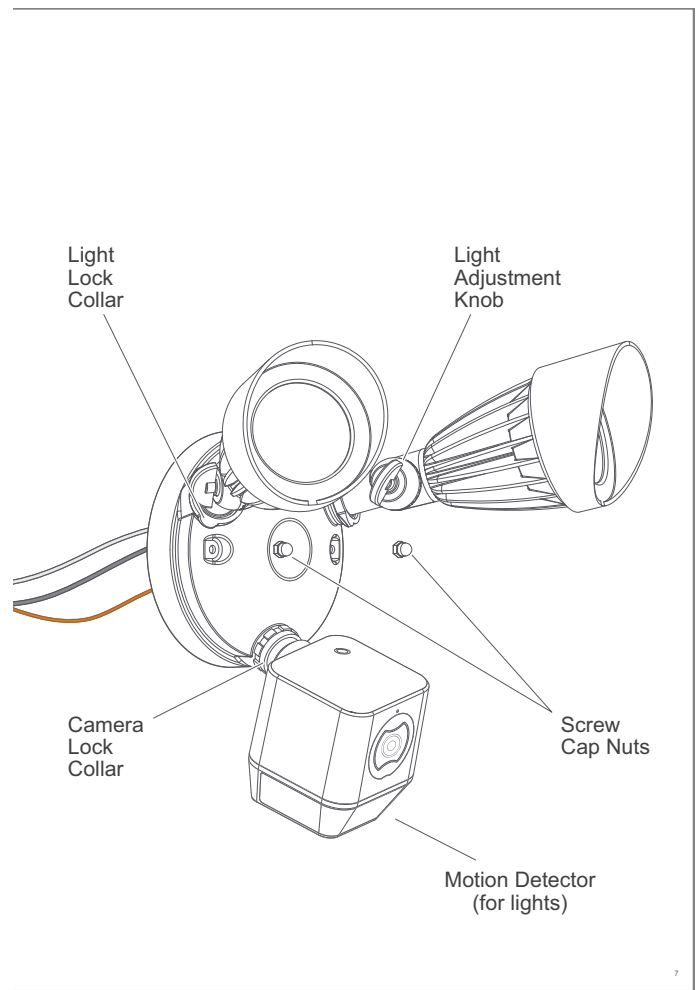


WARNING

This manual is for information purpose only. Working with electricity can be dangerous unless proper safety precautions are taken. If you are not comfortable or are inexperienced with the processes and tools described in this manual, we recommend that you hire a licensed electrician.

2.How it all fits together

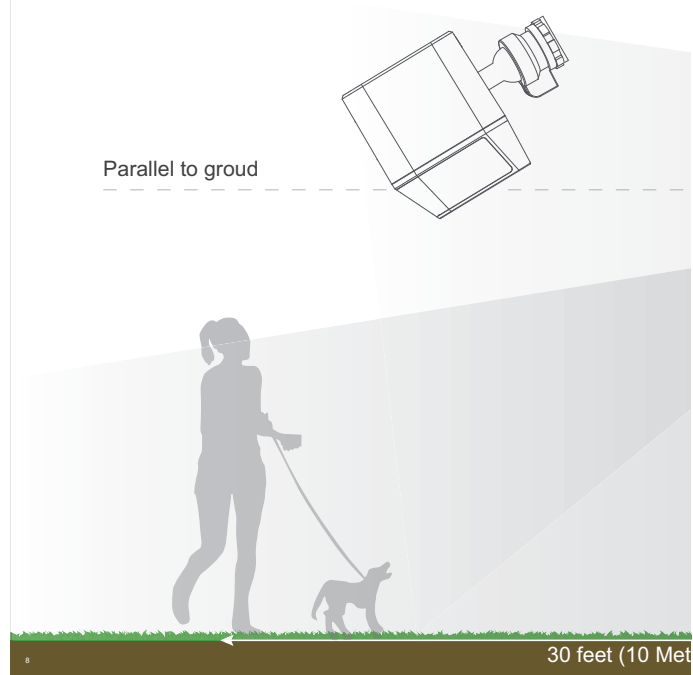




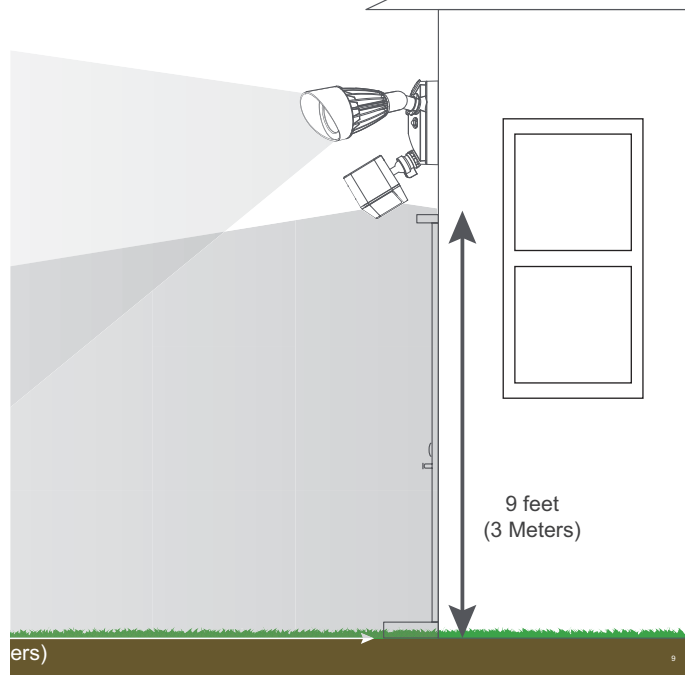
3. How installation height to optimize the motion sensor

***i* WARNING**

In order to prolong service life of the equipment, please try to install the equipment in a place without rain and high temperature and humidity.



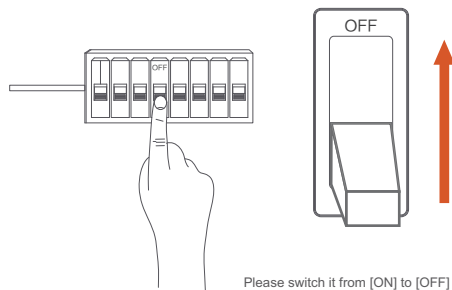
When mounted at 3 meters off the ground, with the motion detector about 30 degree to the ground, the detect human-sized objects distance up to 8 meters.



ers)

Step 1 – Shut power off at the breaker

If you don't know where your breaker is or how to turn off power to the floodlight circuit, consult with a licensed electrician.



WARNING

WARNING: Risk of electrical shock

- Disconnect power at the circuit breaker before installing.
- Verify that the supply voltage is correct.
- Connect fixture to a 110VAC ~ 260VAC 50/60 Hz power source.

- Properly ground fixture.
- Always follow code standards when installing wired connections.
- Installation and wiring must be performed by a licensed electrician.

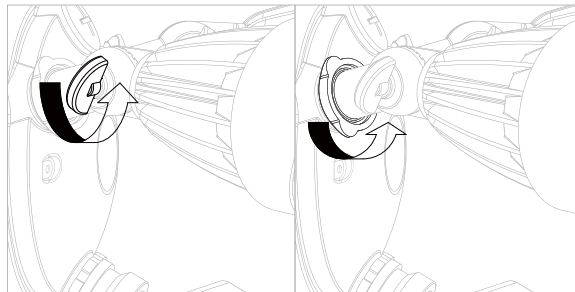
CAUTION: Risk of fire

- Do not install near combustible or flammable surfaces.

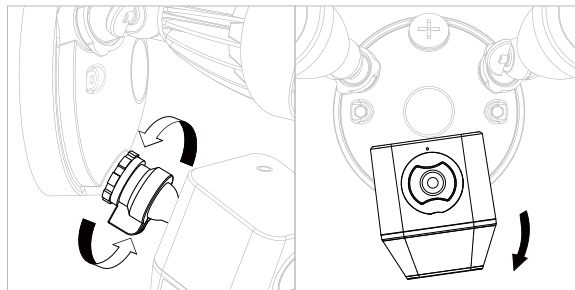
NOTICE

- Do not connect this light fixture to a dimmer switch or timer.

Step 2 – Prepare your Floodlight Cam for installation to the existing junction box



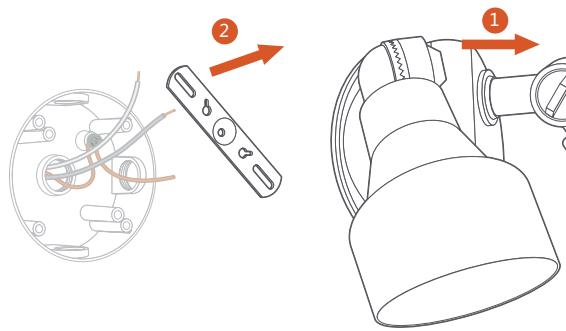
Loosen the knobs on the light fixtures to rotate them out of the way and allow access to the mounting screws.



Rotate the camera 180 degrees since Floodlight Cam ships with the camera upside down on the fixture.

 **Do not remove your Floodlight Cam from the ball socket on the base.**

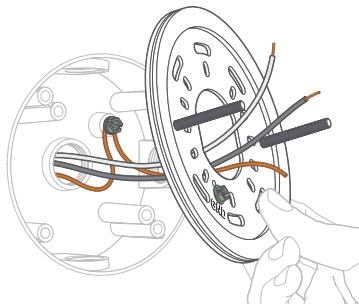
Step 3 – Remove your existing foodlight



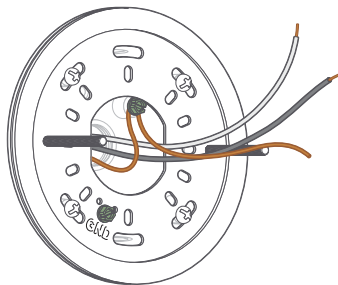
- 1 With power off at the, remove your existing floodlight from the junction box it's attached to and disconnect the wires.
 - 2 If there is a bracket attached to your junction box, remove that as well.
- ⚠ Inspect your junction box to make sure water cannot get into it.

⚠ WARNING Floodlight Cam must be installed on a junction box. If you don't have an existing junction box, you'll need to hire a licensed electrician to install one. Also be sure to comply with your local building codes.

Step 4 – Install the mounting bracket



Install the mounting bracket with the two posts level with the ground (or level with your wall if mounting vertically on an overhang).

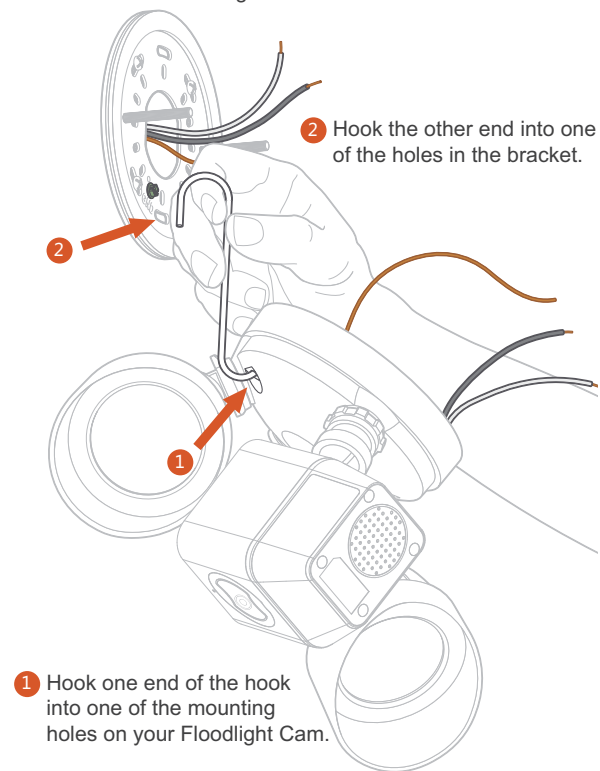


Make sure your existing wires come through the middle of the bracket.

Attach the bracket to your junction box using at least two screws.

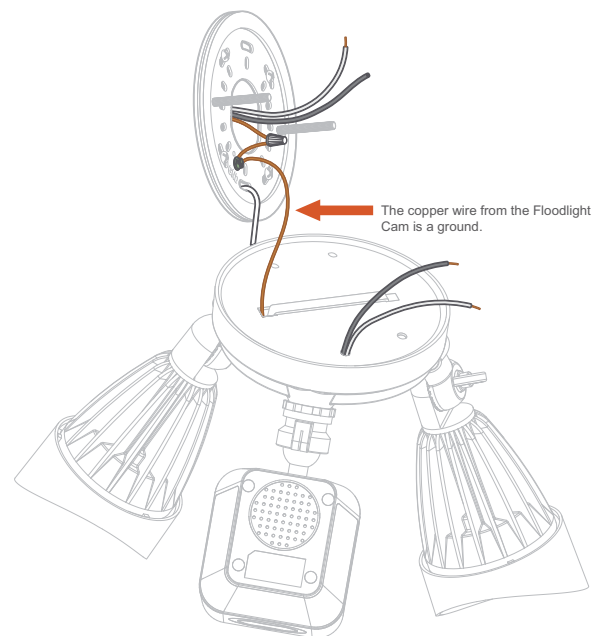
Step 5 – Hang Floodlight Cam

Use the provided hook to hang Floodlight Cam from the bracket while connecting the wires.



Step 6 – Connect the ground wire

Connect the ground wire to the green ground screw on the bracket and the existing ground wire inside your junction box.

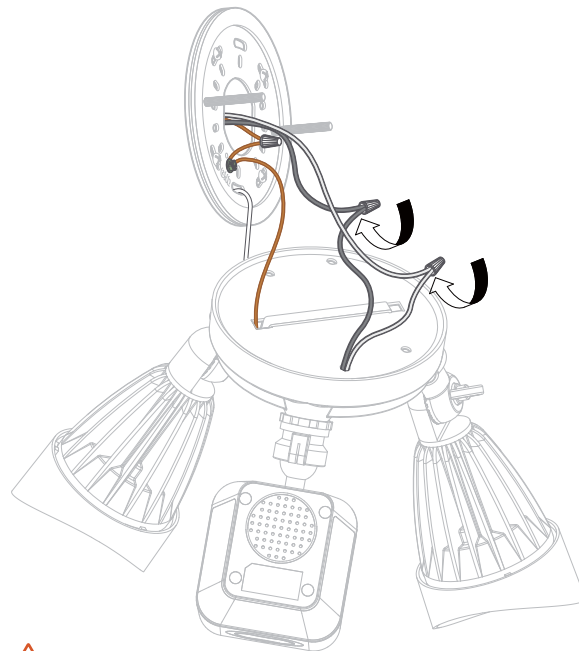


⚠ WARNING For safety and the proper operation of your Floodlight Cam, the fixture must be properly grounded. If you are not familiar with the methods for properly grounding this fixture, consult a licensed electrician.

Step 7 – Connect the power wires

The white wire on Floodlight Cam is a neutral wire. Use a wire nut to connect this wire to the neutral wire coming out of your junction box.

The black wire from the Floodlight Cam is a hot wire. Use another wire nut to connect this black wire to the hot wire coming out of your junction box.

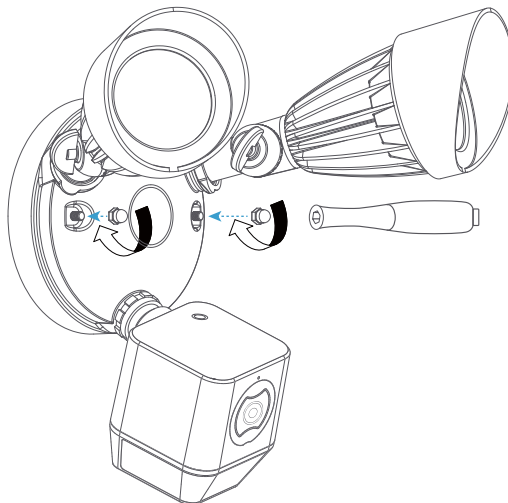


 If you don't know which is neutral or hot wire coming out of the junction box, consult with a licensed electrician.

Step 8 – Place Floodlight Cam on the bracket

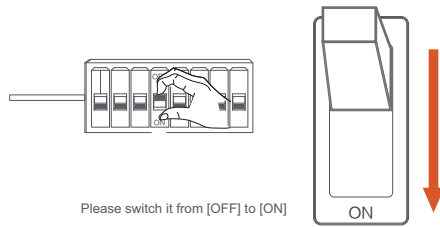
Carefully push all the wires through the large opening in the bracket.

Align the mounting posts with the holes on Floodlight Cam and press together, securing the screw cap nuts with the screwdriver.



Step 9 – Restore power at the breaker

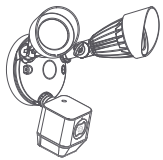
After restoring power, the lights will turn on and your Floodlight Cam will begin speaking to you to let you know it is in setup mode.



EU Standard Installation Manual

1.Packing List

Open the package, then make sure the floodlight cam(device) is intact, and with all the below accessories.



Smart Floodlight Cam



Installation Manual

Please refer to the installation pictures in Floodlight Cam App, and read this manual and keep it handy during installation.



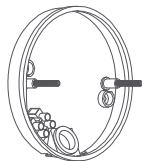
Screwdriver

Use the screwdriver handle to tighten the cap nuts.



Phillips Bit

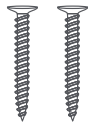
Use the Phillips bit for installing the mounting bracket



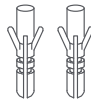
Mounting Bracket

Use this bracket to attach to your junction box to secure your Floodlight Cam.

⚠ Then make sure you have a junction box ready where Floodlight Cam can be mounted. If you don't have a junction box, you'll need to hire an electrician to install one.



Philips big flathead self-drilling screw (2)
Use 2 of these to attach the supplied bracket to your on the wall.



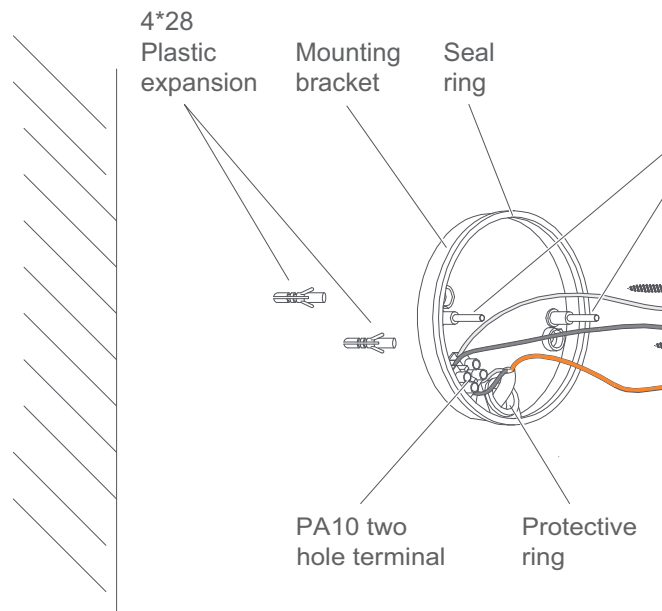
Plastic expansion (2)
Knock the plastic expansion into the hole.

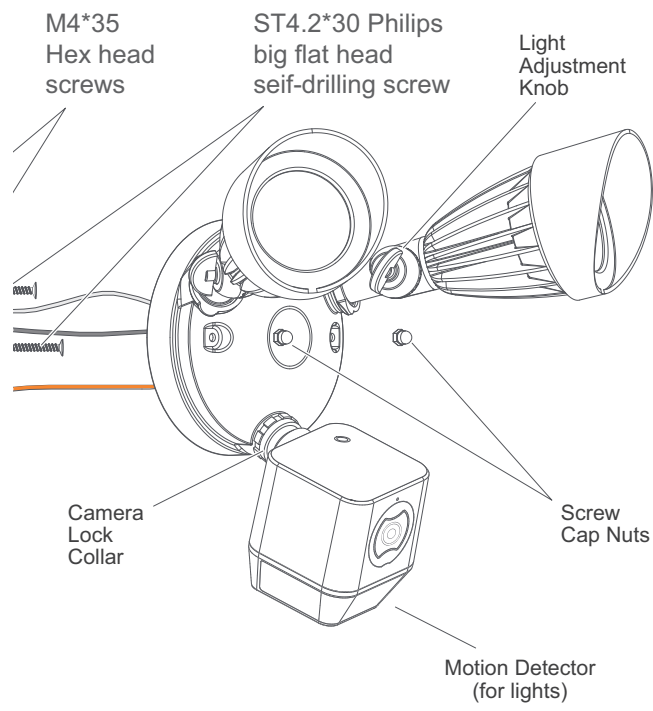


Cap Nuts (2)
Use these to secure your Floodlight Cam to the posts on the mounting bracket to complete the installation.

⚠ WARNING This manual is for information purpose only. Working with electricity can be dangerous unless proper safety precautions are taken. If you are not comfortable or are inexperienced with the processes and tools described in this manual, we recommend that you hire a licensed electrician.

2.How it all fits together

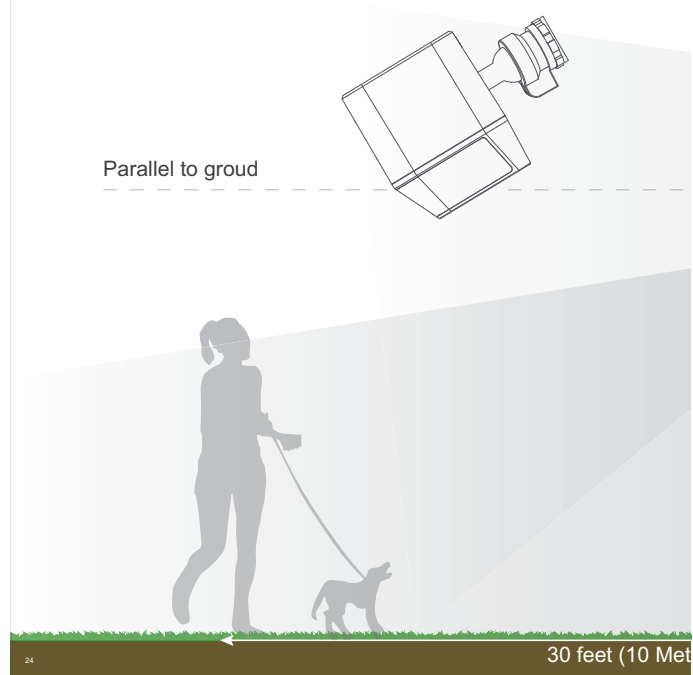




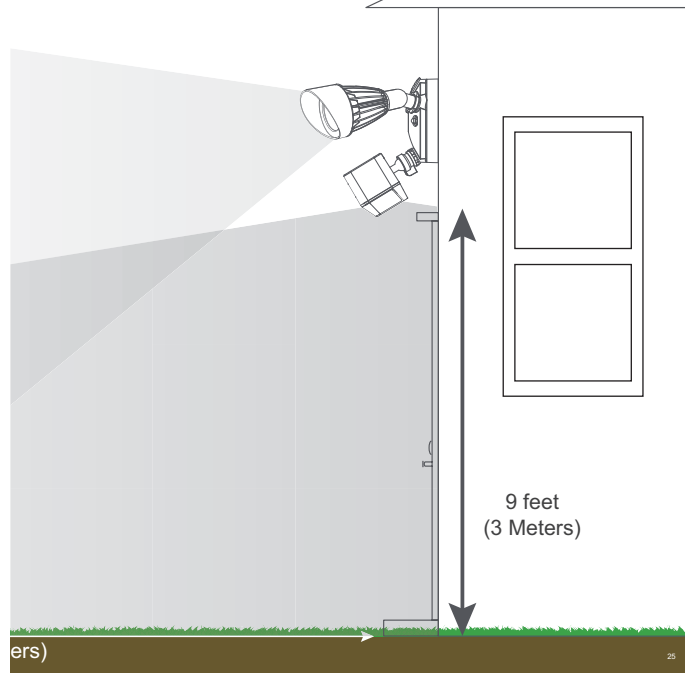
3. How installation height to optimize the motion sensor

***i* WARNING**

In order to prolong service life of the equipment, please try to install the equipment in a place without rain and high temperature and humidity.

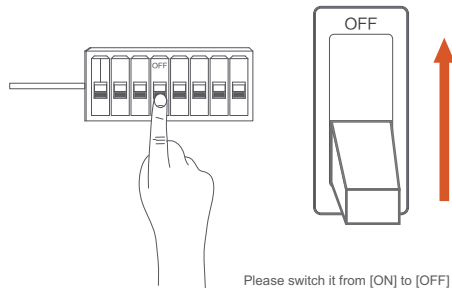


When mounted at 3 meters off the ground, with the motion detector about 30 degree to the ground, the detect human-sized objects distance up to 8 meters.



Step 1 – Shut power off at the breaker

If you don't know where your breaker is or how to turn off power to the floodlight circuit, consult with a licensed electrician.



WARNING

WARNING: Risk of electrical shock

- Disconnect power at the circuit breaker before installing.
- Verify that the supply voltage is correct.
- Connect fixture to a 110VAC ~ 260VAC 50/60 Hz power source.

- Properly ground fixture.
- Always follow code standards when installing wired connections.
- Installation and wiring must be performed by a licensed electrician.

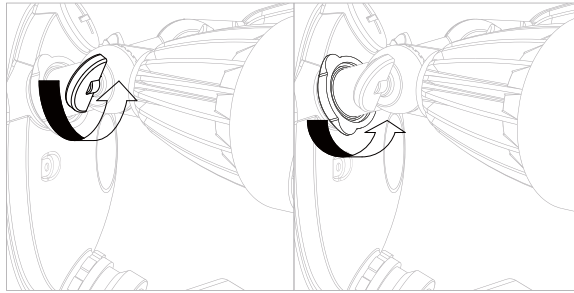
CAUTION: Risk of fire

- Do not install near combustible or flammable surfaces.

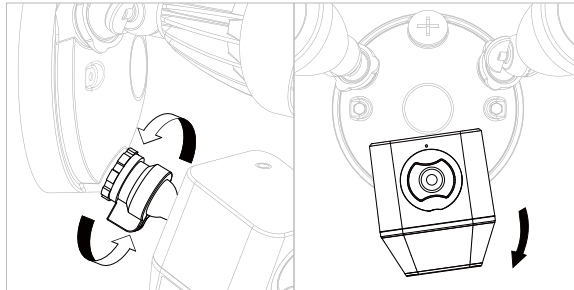
NOTICE

- Do not connect this light fixture to a dimmer switch or timer.

Step 2 – Prepare your Floodlight Cam for installation to the existing junction box



Loosen the knobs on the light fixtures to rotate them out of the way and allow access to the mounting screws.

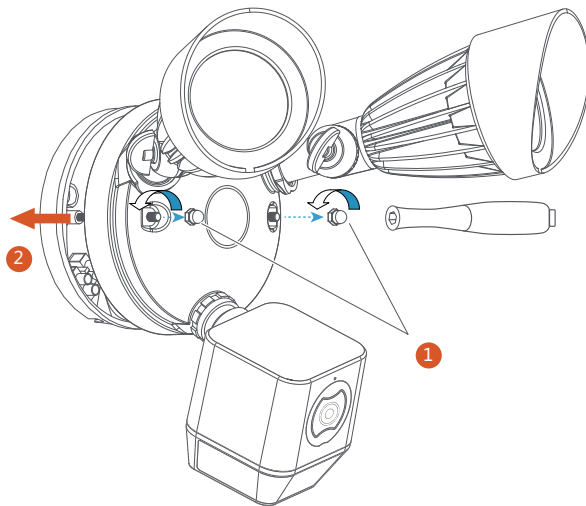


Rotate the camera 180 degrees since Floodlight Cam ships with the camera upside down on the fixture.

 **Do not remove your Floodlight Cam from the ball socket on the base.**

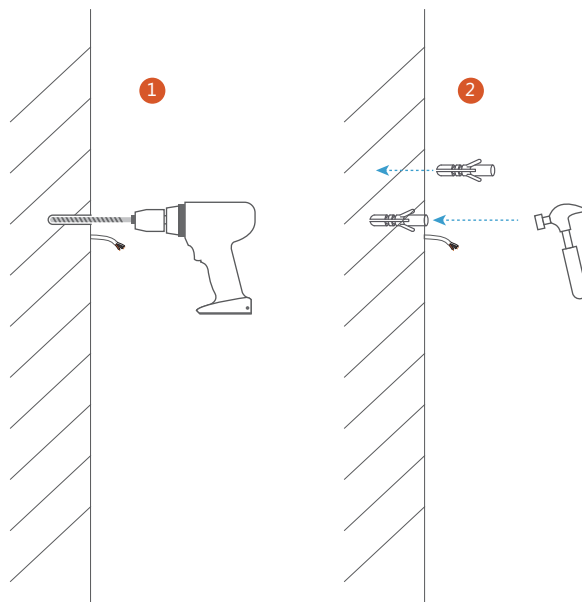
Step 3 – Remove the mounting bracket

- 1 Use a screwdriver handle to unscrew the nut.
- 2 Remove the mounting bracket.



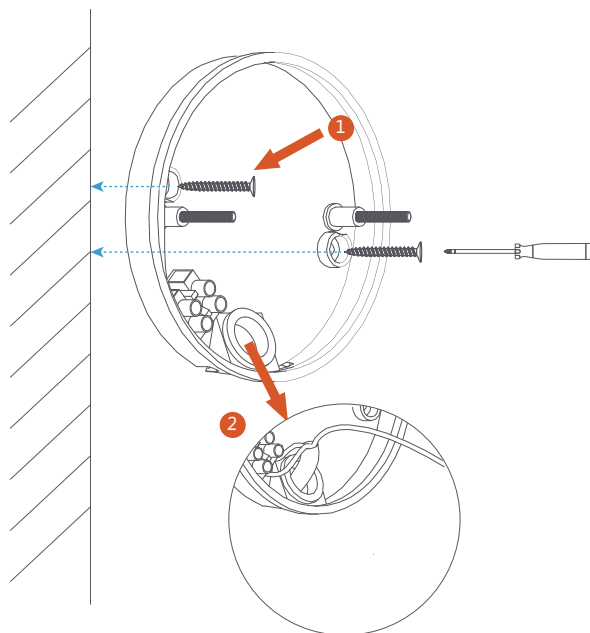
Step 4– Choose a proper place for drilling.

- 1 Before drilling, ensure that the hole does not impinge on pipework, cables or other building services.
- 2 Knock the plastic expansion into the hole.



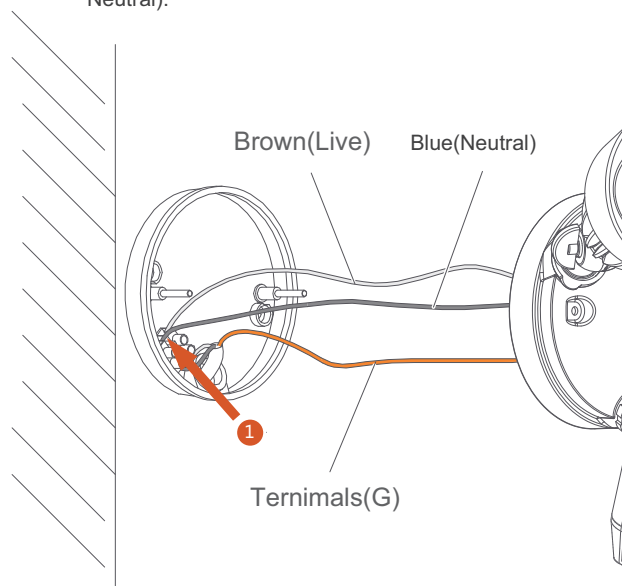
Step 5– Mounting Bracket to the wall with screw.

- 1 Mounting Bracket to the wall with screw.
- 2 Introduce the supply cable through IP seal.



Step 6– Place Floodlight Cam on the bracket

- 1 Connect supply to terminals(G).Brown(Live)and Blue(Neutral).

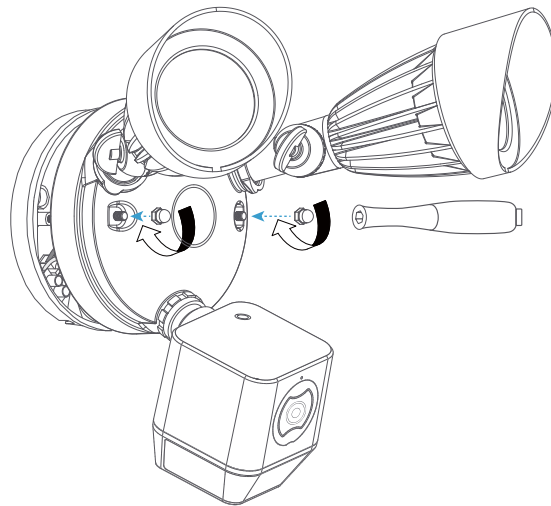


⚠ WARNING For safety and the proper operation of your Floodlight Cam, the fixture must be properly grounded. If you are not familiar with the methods for properly grounding this fixture, consult a licensed electrician.

Step 7 – Place Floodlight Cam on the bracket

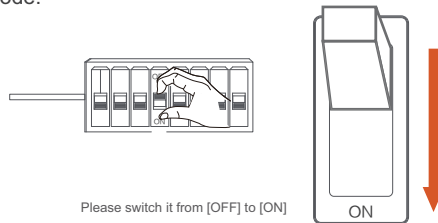
Carefully push all the wires through the large opening in the bracket.

Align the mounting posts with the holes on Floodlight Cam and press together, securing the screw cap nuts with the screwdriver.



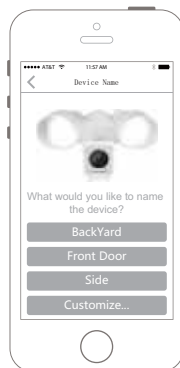
Step 8 – Restore power at the breaker

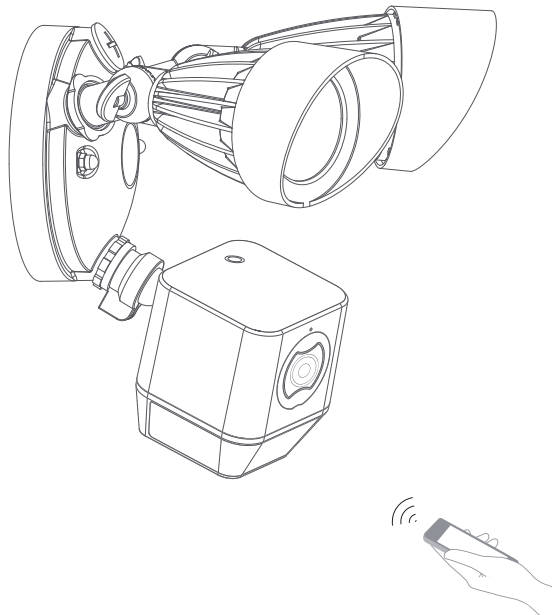
After restoring power, the lights will turn on and your Floodlight Cam will begin speaking to you to let you know it is in setup mode.



Step – Perform the App setup

Open the App, follow the user manual to connect Floodlight Cam to your WiFi network.





Floodlight Cam connects to your APP

1.Preparation

Please prepare the below stuff before you use it.

One smartphone or tablet PC(Mac or Windows PC is not acceptable) with IOS 6.0 or Android 4.0 system(higher version system is acceptable)



Android phone



iPad



iPhone

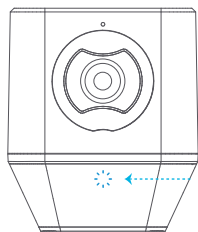
Wi-Fi Router

- Device can only connect to 2.4Ghz Wi-Fi router.
- Make sure turn on the DHCP of router, and MAC address should be off.
- Distance between the router and the device should be within 3 mtrs during configuration.
- Please don't use special character such as Chinese, symbol to name the WiFi.
- Please don't use special character such as Chinese, symbol as the password for the WiFi and Wi-Fi password can not be blank.



Wi-Fi Router

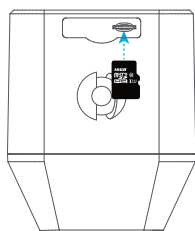
Green LED indicator status:



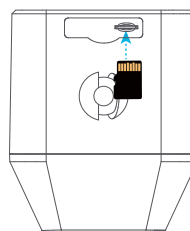
● OFF	No power or WiFi connected
● ON	Device is starting
⦿ Slow blink	Waiting connect to WiFi
⦿ Fast blink	WiFi disconnected

Micro SD card user caution

- To ensure SD card video recording works steady, we recommend Class 10 or above version high speed Micro SD card.
- To make sure the device works normally, please format the SD card before the first time use.
- Before insert or pull out the SD card, please power off the device. Insert the SD card properly into the slot as below.



✓ Correct

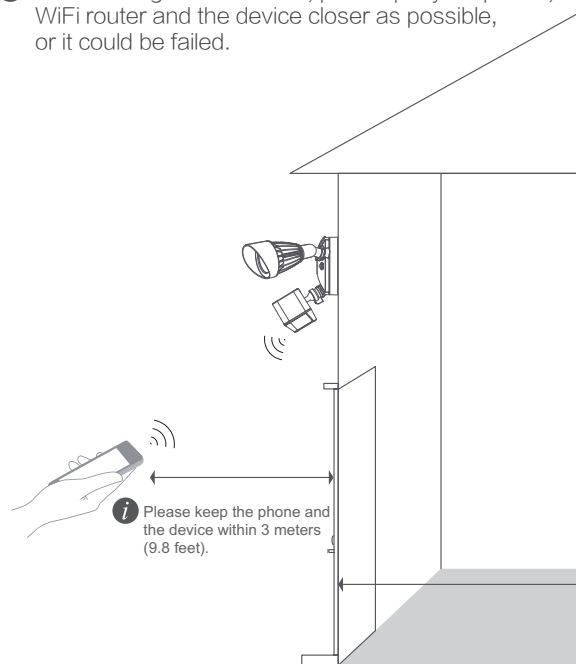


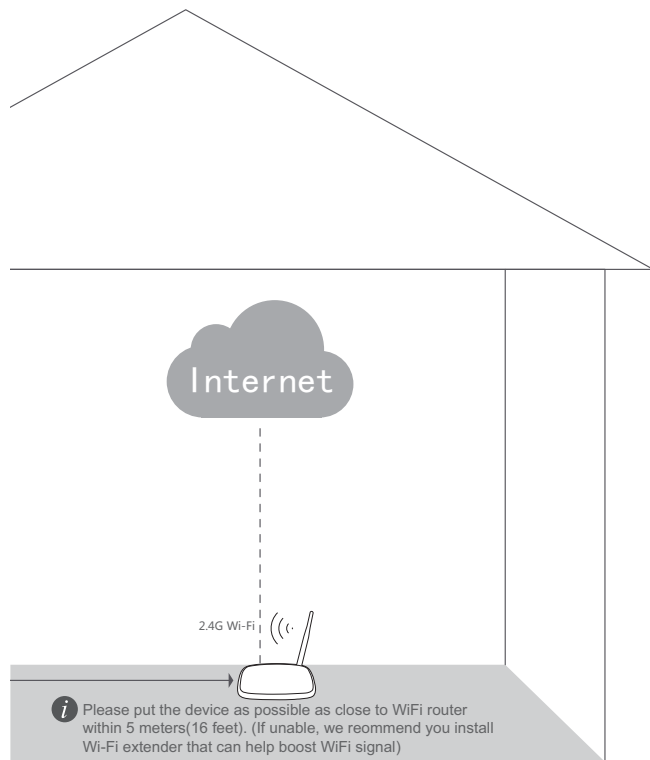
✗ Wrong

2.Operation Instruction (please read, IMPORTANT!)

After installing the Floodlight Cam, turn on the power and wait for about 40 seconds, the device sound the prompt tone three times.

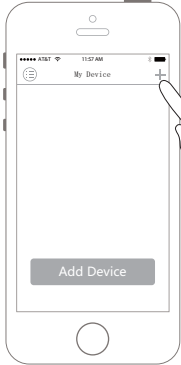
- i** When configure the device, please put your phone, WiFi router and the device closer as possible, or it could be failed.



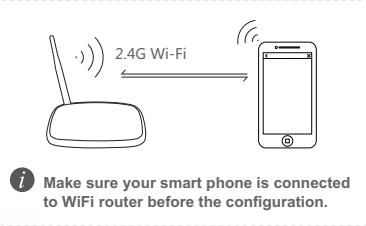


3.Configure Device

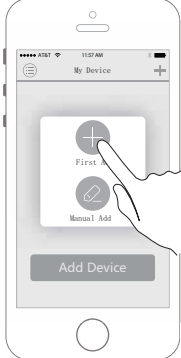
Open the App



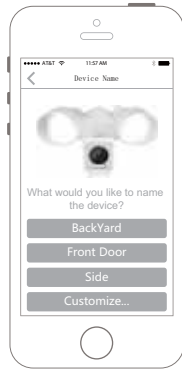
1 Click "+"



i Make sure your smart phone is connected to WiFi router before the configuration.



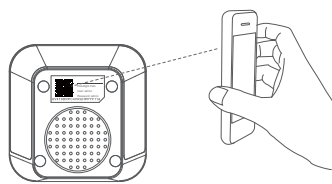
2 Click "First Add"

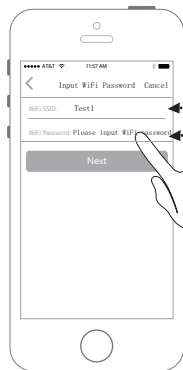


3 Name the device



4 Scan the QR code on the back housing



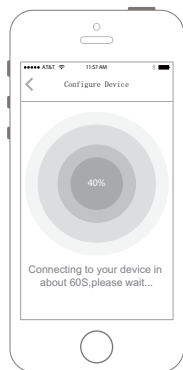


i **WARNING**

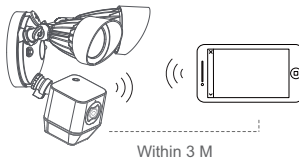
Don't use the Chinese or special symbol to name the WiFi.

Don't use the Chinese or special symbol as the password of WiFi.

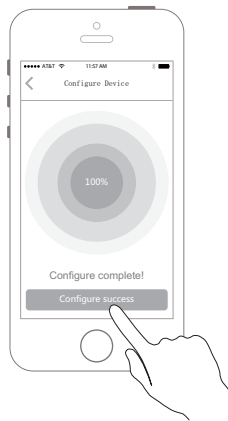
5 Input the right password of the WiFi



6 Please put your smart phone or tablet PC close to the device within 3 m, then press to configure.



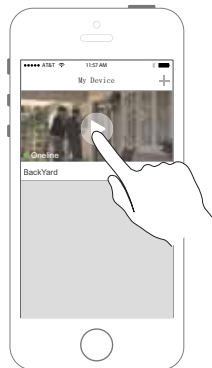
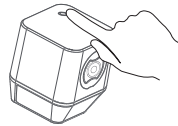
i Turn the volume of smart-phone or tablet PC to maximum.



- 7 Wait for about 60 seconds, the configuration will be done.
(After the configuration is successful, the green LED indicator will be off in about 60 seconds.)

i If configuration failed

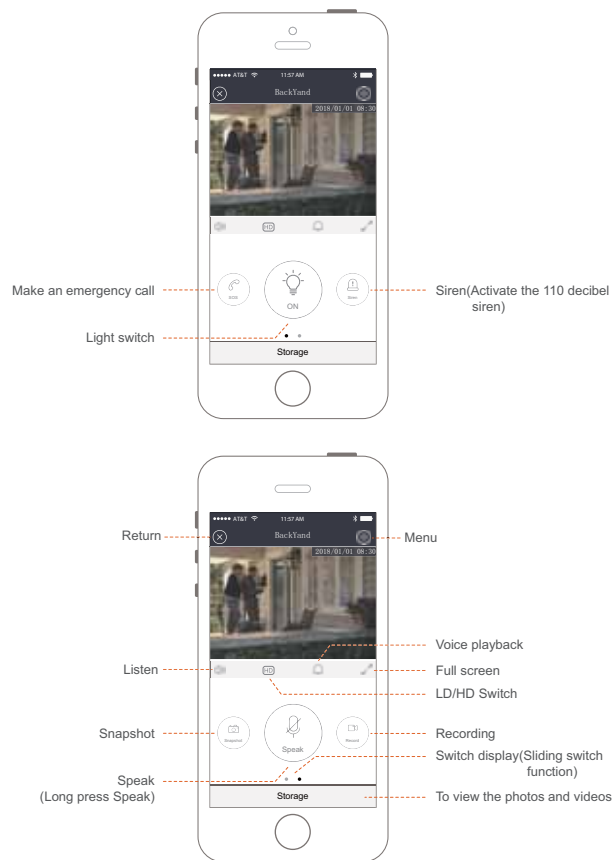
- Please make sure input right password(check the capital&small letter,blank)
- Please keep the distance between the device and the WiFi router within 5m.
- Press and hold [RESET] for 5 seconds, the device is restored to factory default setting , repeat the configuration again.



- 8 Click the screen to watch the video.

If the live video is freezed, please close it and open again. If it is still freezed, please power off and restart the device and the WiFi router, and keep the device and the WiFi router within 8m to configure again.

4. Watch Video





FCC Statement

Changes or modifications not expressly approved by the party responsible for compliance could void the user's authority to operate the equipment.

This equipment has been tested and found to comply with the limits for a Class B digital device, pursuant to Part 15 of the FCC Rules.

These limits are designed to provide reasonable protection against harmful interference in a residential installation.

This equipment generates uses and can radiate radio frequency energy and, if not installed and used in accordance with the instructions, may cause harmful interference to radio communications.

However, there is no guarantee that interference will not occur in a particular installation.

If this equipment does cause harmful interference to radio or television reception, which can be determined by turning the equipment off and on, the user is encouraged to try to correct the interference by one or more of the following measures:

- Reorient or relocate the receiving antenna.
- Increase the separation between the equipment and receiver.
- Connect the equipment into an outlet on a circuit different from that to which the receiver is connected.
- Consult the dealer or an experienced radio/TV technician for help.

This device complies with part 15 of the FCC rules. Operation is subject to the following two conditions (1) this device may not cause harmful interference, and (2) this device must accept any interference received, including interference that may cause undesired operation.

This equipment complies with FCC radiation exposure limits set forth for an uncontrolled environment.

This equipment should be installed and operated with minimum distance 20cm between the radiator & your body

About the User Manual:

The user manual is used as a guide.

The photos, graphic, charts and illustrations provided in the user Manual are only used to explanation and interpretation, which may be different from specific products, please refer to the real object.

The user manual maybe updated because of the products version upgrade or other requirements, if you need the latest version of the user manual, please contact customer service for the latest version of the user manual.