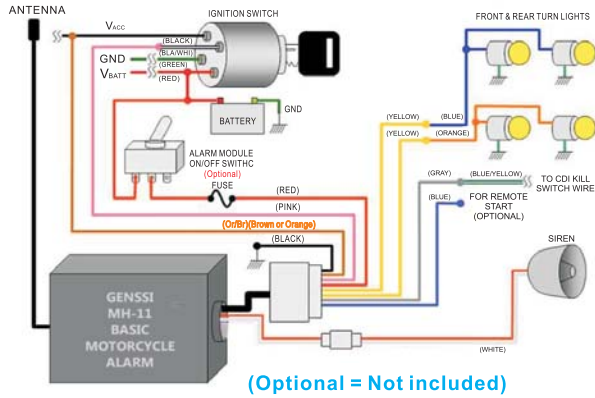


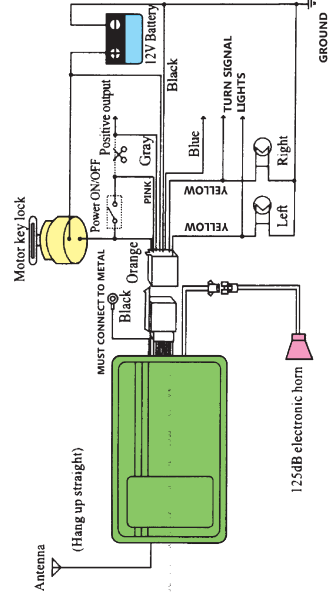
Non-Battery Ignition Type



9P WIRE HARNESS FUNCTION FROM ALARM MAIN UNITE		MOTORCYCLE BRAND		
COLOR	FUNCTION	HONDA	SUZUKI	YAMAHA
Red	Positive power supply from battery	Red	Red	Red
Or/Br	Positive power output from ignition lock	Black	Orange	Brown
Blue	Engine start wire	Yellow/Red	Yellow/Green	Blue/White
Gray	Flame out wire end of wire harness	Black/White	Black/White	Blue/White
Pink	Flame out wire end of ignition lock	Black/White	Black/Red	Blue/White
Black	Ground	Green	Black/white	Black
Yellow	Signal light	light blue	black	dark brown
Yellow	Signal light	orange	apple Green	dark green

* Minimum Connections for basic alarm Function

Battery Ignition Type



GENSSI Motorcycle Security Alarm MH-11

Function keys	Status	Functions	Operation	Notes
Arm Key	Normal	Arming	Short press once	The direction light flashes once, the horn chirps once and the alarm will be activated automatically after 3 seconds: 1. Pre-alarm: Upon touch, the direction light will flash 5 times and the horn chirps 5 times; 2. Economical arming: Upon repeated touch after 3 seconds, the horn will keep chirping, the direction light will not flash, and the motor will be locked and will not be able to start. 3. Urgent alarming: If the motor is unlawfully started, horn will chirp and direction light will not flash, the engine is locked, it can't be started.
	Driving	Anti-robbery	Short press once	The direction light flashes once, the horn chirps once and the alarm will chirp after 5 seconds, direction light flash, the engine is locked, and motor can't be started, only to disarm by re-pressing.
Disarm Key	Disarming	Disarming	Short press once	Direction light will flash twice and horn chirp twice, the system will disarm.
	Driving	Flameout	Short press once	The motor will be flameout, the transmitter will in three seconds. Flameout = starter or fuel injector disabler, or system called anti-hijack. It is an option. Not required for the remote start or alarm applications.
Starter Key	Normal or Driving	Remote start	Short press once	Press the ⚡ one time, the direction light flash; if press again in three seconds that the engine may start.
Finder Key	Normal	Finding Vehicle	Short press once	Direction lights flash eight times, horn chirp eight times, used to locate your vehicle. (If press again, it will be in helping mode.)
	Finding vehicle	Helping	Short press once	Horn will chirp, direction light will flash to remind the behind vehicles.
	Driving	Anti-robbery	Short press once	Horn will chirp, direction light will flash to arm, and the motor cannot be started.

The alarm brain cannot get wet. Please mount away from elements. Replace battery if the range on the remote control shortens.

FCC Warning Statement

Changes or modifications not expressly approved by the party responsible for compliance could void the user's authority to operate the equipment. This equipment has been tested and found to comply with the limits for a Class B digital device, pursuant to Part 15 of the FCC Rules. These limits are designed to provide reasonable protection against harmful interference in a residential installation. This equipment generates uses and can radiate radio frequency energy and, if not installed and used in accordance with the instructions, may cause harmful interference to radio communications. However, there is no guarantee that interference will not occur in a particular installation. If this equipment does cause harmful interference to radio or television reception, which can be determined by turning the equipment off and on, the user is encouraged to try to correct the interference by one or more of the following measures:

- - Reorient or relocate the receiving antenna.
- - Increase the separation between the equipment and receiver.
- - Connect the equipment into an outlet on a circuit different from that to which the receiver is connected.
- - Consult the dealer or an experienced radio/TV technician for help.

This device complies with part 15 of the FCC Rules. Operation is subject to the following

two conditions: (1) This device may not cause harmful interference, and
(2) this device must accept any interference received, including interference that may cause undesired operation.