

ODU/IDU User Manual

Thanks for purchasing our ODU/IDU products. These ODU/IDU products have been designed and manufactured to the highest standards and will provide you high speed wireless network connection.

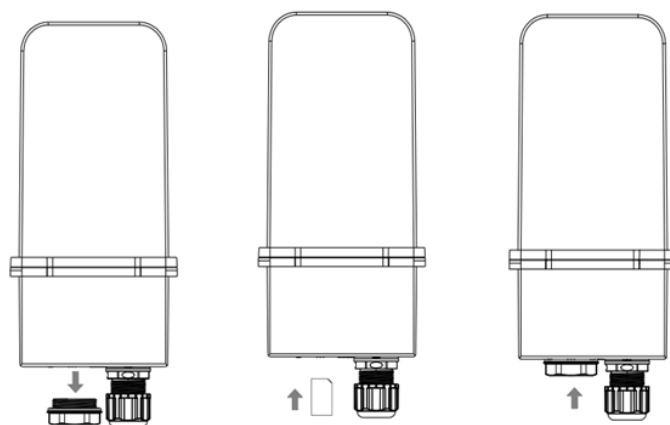
This manual will help you to understand your ODU/IDU better. Please read carefully before installing and using ODU/IDU.

Main Technical Standard

- Operating temperature: $-20^{\circ}\text{C} \sim +60^{\circ}\text{C}$
- Relative humidity: 5%~ 95%
- Operating frequency: LTE TDD 41
- CA: 41+41
- Power: Input - AC 100V~240V, 50Hz~60Hz
Output - DC 24V, 750Ma
- Upstream and downstream rate: LTE(cat6)UL: 10Mbps DL: 224Mbps

Installation

1、Removed the ODU device's waterproof cap and insert the SIM card properly according to below illustration. You will hear a click indicating the SIM card is installed in right place. Then tighten the waterproof cap.



Install SIM card

- 2、Connect ODU device's LAN port and IDU device's WAN port with network cable.
- 3、Connect an external power outlet and IDU device by the power adaptor. IDU device will automatically power on when the adaptor is inserted into the socket. After about 1~2 minutes, the terminal completes initialization.

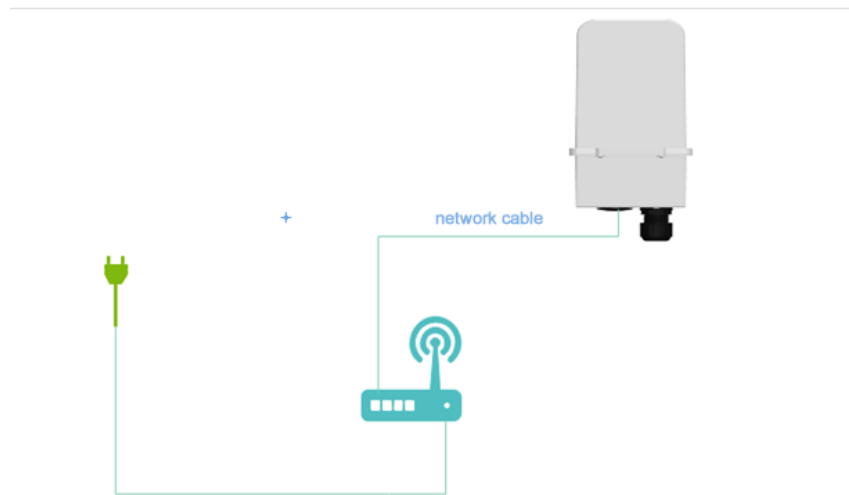
Note:

- Do not insert or remove the SIM card when power is on. Doing so will affect the performance of your devices and the data stored in the SIM card may be lost.
- Only use the power adaptors compatible with IDU and provided by the designated manufacturer.

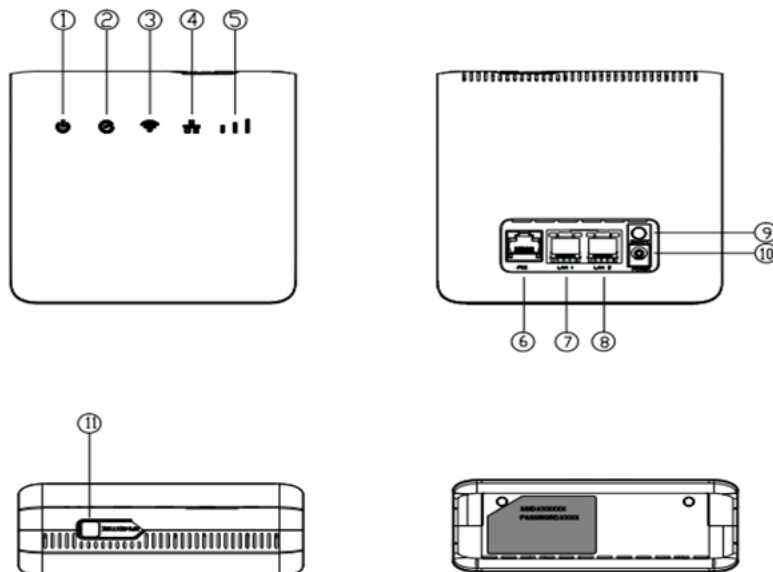
About The Terminal

This terminal can work under TDD-LTE network, only support data and SMS business, not support voice business.

1、 Device connection schematic

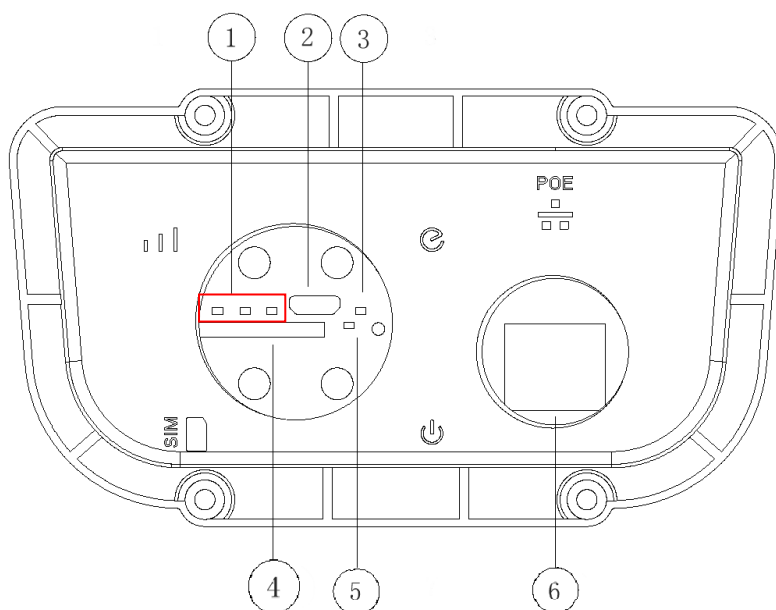


2、 The IDU(Indoor Unit) device



LED Indicators and Port Description			
No.	Function	Indicator	Meaning
①	Power indicator	Blue	The IDU is power on
		Off	The IDU is power off
②	Network	Blue	LTE connected
		Red	ODU has no network, or IDU is disconnected with the ODU
③	WIFI	Blue	2.4G Wi-Fi is on and working normally
		Off	Wi-Fi is turned off.
④	LAN	Blue	The IDU is connected with the ODU
		Off	IDU is disconnected with ODU
⑤	LTE Signal	Off	No LTE signal(No service), noSIMcard or PIN/PUK locked
		1 LED on	1 Bar :Weak Signal
		2 LEDs on	2 Bar :MidSignal
		3 LEDs on	3 Bar :BestSignal
⑥	PoE/WAN Port	-	Connect with ODU Note: This port cannot connect to other devices because the WAN port is also the power supply to the ODU.
⑦ ⑧	LAN Port	-	Connect computers or other devices
⑨	Power Button	-	Press it to turn on IDU
⑩	Power Port	-	Connect to compatible power adapter
⑪	WPS/Restore Button	-	Press shortly and then the LED will flash Press and hold more than 5 seconds, and then IDU will reboot to its factory default settings

3、 The ODU (Outdoor Unit) device



LED Indicators and Port Description			
No.	Function	Indicator	Meaning
①	LTE Signal	Off	No LTE signal(No service) No SIM SIM/PUK locked
		Blue	1 Bar : Weak Signal
			2 Bar : Mid Signal
			3 Bar : Best Signal
②	USB Port	-	Developer port
③	Network	Off	LTE connected
		Red	No LTE signal(No service) No SIM、 SIM/PUK locked Searching network
④	SIM Card Slot	-	Install a standard SIM card to access internet
⑤	Power	Off	Power off
		Blue	Power on
⑥	PoE Port	-	This port will connected with IDU by RJ45 Cable

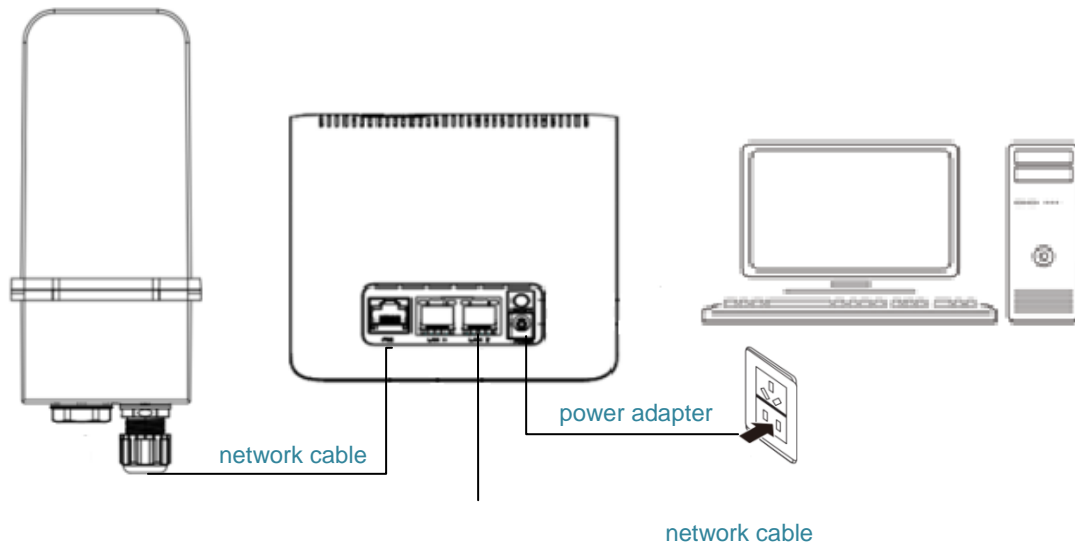
Access to the Internet

The IDU device supports standard cable or WLAN wireless connection to the computer, compatible with Windows XP/7/8, MAC OS, Linux, Android and other operating systems. Before you visit the Internet, please confirm that you have installed the terminal according to the

installation instructions.

1、 Connecting computer

The IDU device and computer can be connected with the network cable. Once connected to a power outlet, the device automatically powers on.

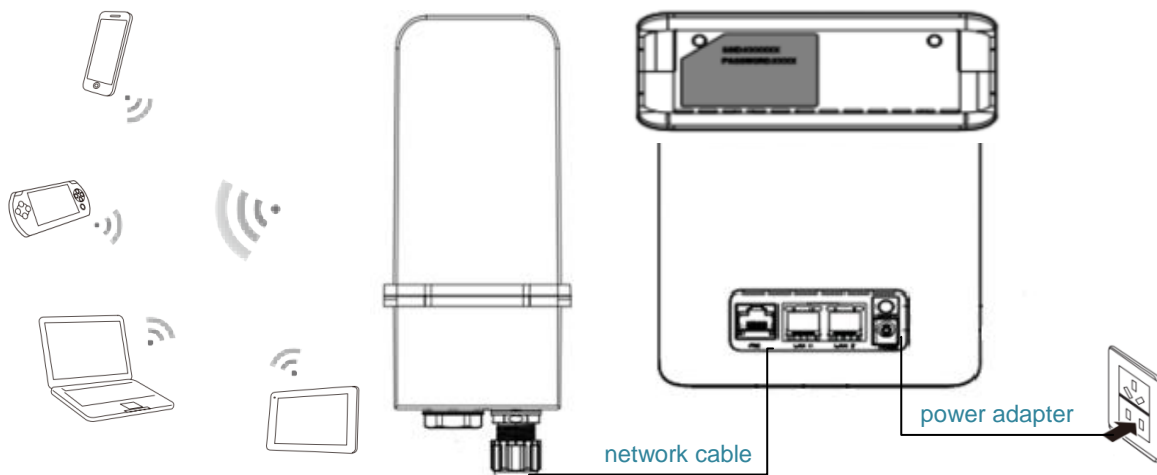


2、 Wi-Fi connection

Computer, tablet, or smartphone can connect IDU device via Wi-Fi .

Note:

The default SSID and Wi-Fi password are printed on the device's bottom label.



3、 Log in to the web management page

After a client is connected to the device through Wi-Fi or LAN port, launch a browser on the client and visit <http://192.168.1.1>. Enter the user name and password to log in to the web management page.

The login web management page recommends using any of the following browser software:

IE7.0 or above	Firefox3.0 or above
Safari4.0 or above	Opera10.0 or above
Chrome10.0 or above	

For more help

If you are experiencing any issues with the device, please

- Restart the device
- Read the help information on the web management page
- Restore the device to its factory settings
- Contact your service provider

Note:

Figures in this guide are for your reference only. Specific models may vary slightly, contact your service provider for more detailed information.

Product accessories

The ODU/IDU is a packaged product that contains the following items:

RJ45 Cable, Power Adapter, ODU (outdoor unit), IDU (indoor unit).

Warning

This device complies with Industry Canada's licence-exempt RSSs. Operation is subject to the following two conditions: (1) This device may not cause interference; and (2) This device must accept any interference, including interference that may cause undesired operation of the device.

Cet appareil est conforme aux CNR exempts de licence d'Industrie Canada. Son fonctionnement est soumis aux deux conditions suivantes : (1) Ce dispositif ne peut causer des interférences ; et (2) Ce dispositif doit accepter toute interférence , y compris les interférences qui peuvent causer un mauvais fonctionnement de l'appareil.

FCC Statement

This equipment has been tested and found to comply with the limits for a Class B digital device, pursuant to Part 15 of the FCC Rules. These limits are designed to provide reasonable protection against harmful interference in a residential installation. This equipment generates uses and can radiate radio frequency energy and, if not installed and used in accordance with the instructions, may cause harmful interference to radio communications. However, there is no guarantee that interference will not occur in a particular installation. If this equipment does cause harmful interference to radio or television reception, which can be determined by turning the equipment off and on, the user is encouraged to try to correct the interference by one or more of the following measures:

- Reorient or relocate the receiving antenna.
- Increase the separation between the equipment and receiver.
- Connect the equipment into an outlet on a circuit different from that to which the receiver is connected.
- Consult the dealer or an experienced radio/TV technician for help.

This device complies with part 15 of the FCC Rules. Operation is subject to the following two conditions:

(1) This device may not cause harmful interference, and (2) this device must accept any interference received, including interference that may cause undesired operation.

Changes or modifications not expressly approved by the party responsible for compliance could void the user's authority to operate the equipment.

The antenna(s) used for this transmitter must be installed to provide a separation distance of at least 20 cm from all persons and must not be co-located or operating in conjunction with any other antenna or transmitter.