

Smart WiFi Sprinkler Controller

User Manual

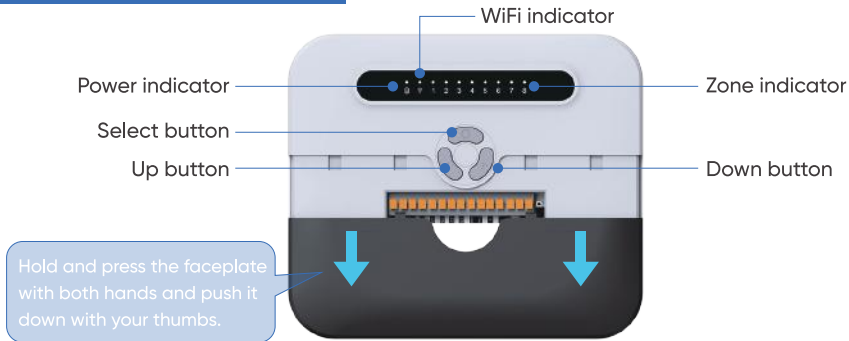
Welcome to smart watering!

Thank you for choosing out smart sprinkler controller.

We can see groomed lawns not just in the parks or at the stadiums, but near buildings like hotels, banks, shops, filling stations, and country houses. Many of us like spending time in the backyard, drinking sprightly beverages and enjoying the view of the lawn. But then, what should we do to keep our lawns beautiful and alive, and prevent their drying?

This smart sprinkler controller gives you a smarter way to water, it can be controlled with smartphone from any corner of the world.

Hardware Overview



Wire Terminals



- Zones: Z1-Z8 for solenoid valves, 24VAC
- COM: common for solenoid valves, 24VAC
- M: master valve or pump start relay, 24VAC
- S1 and S2: normally closed (NC) rain sensors, freeze sensors, soil sensors
- ACN : sensor power -, 24VAC
- ACL: sensor power +, 24VAC

Download the App to your mobile phone



Smart Life



- (1) Search the keyword "Smart Life" in APP Store or Google Play to download the App.
- (2) Open the App and register an account to log in.

Installation

What you will need?

Wi-Fi Access

2.4GHz network required (Not support 5GHz networks)

Mobile devices

Requires iOS 9.3 or newer or Android 4.0 or newer

1x Screwdriver

1x Wire stripper

1x Drill

1x Hammer

1. Select a location

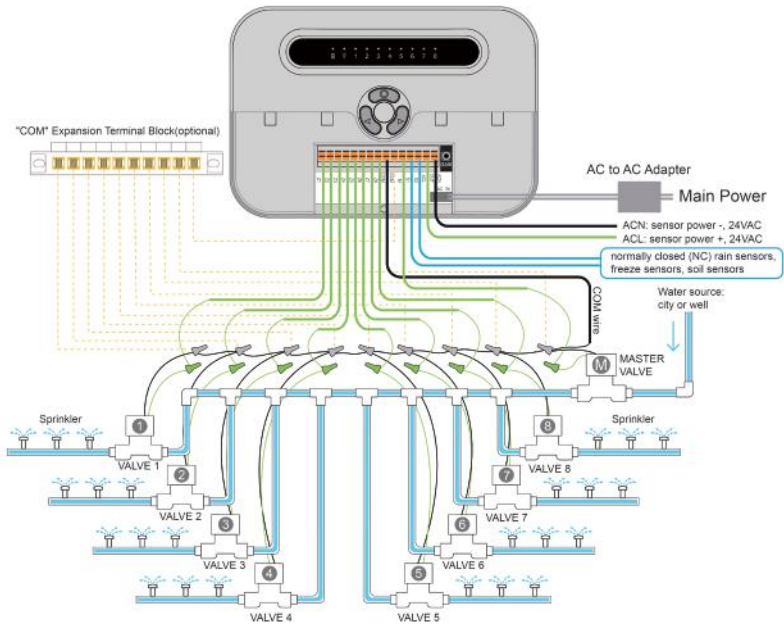
Choose a location near power and away from direct sunlight.

This location should have a good Wi-Fi signal, you can check the signal using a smartphone.

2. Connect valve wires

Strip about 10mm of insulation from each wire, attach one wire from each valve to a "Common"(COM) terminal and the other wires to a numbered terminal(one wire per terminal)

Note: to prevent damage to the controller, connect only one valve to each terminal.



3. Power on the controller

Insert the power connector into the controller's power port, plug the transformer into a wall outlet.

4. Mount the controller

Secure the bracket into the wall with the included screws and anchors, and then hang the controller on the bracket

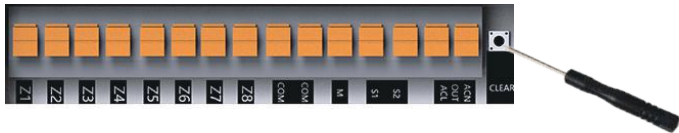


5. Connect the controller to Wi-Fi

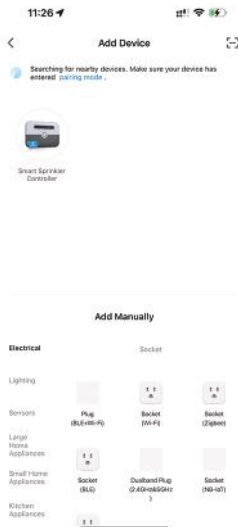
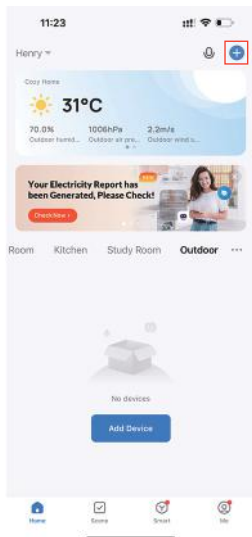
Before you begin:

- The place where you want to install the controller should be covered by your home Wi-Fi.
- Your mobile device must be connected to the same Wi-Fi that the controller will connect to. (Only 2.4G networks supported).
- Make sure the Bluetooth of your mobile device is on.
- To connect to a new Wi-Fi network, please follow the steps below to update the Wi-Fi network.

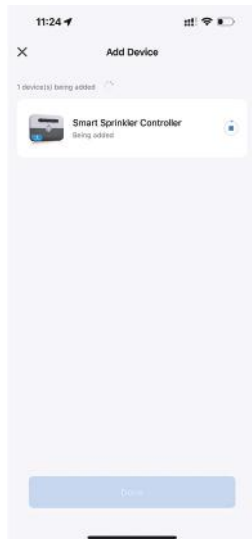
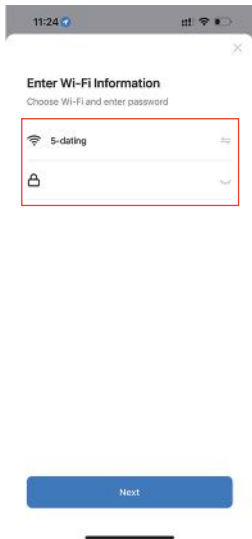
(1) Use a small screwdriver to press and hold the “Clear” button for about 5s and release until the Wi-Fi indicator light is rapidly flashing that indicates the controller is ready to configure.



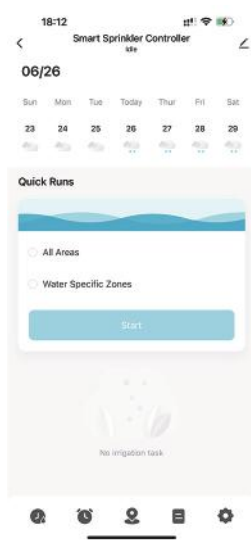
(2) Open the “**Smart Life**” App, tap the + button on the top right corner, the nearby devices will pop up automatically, choose the device you want to set up.



(3) Enter the password of the WIFI network that your mobile device connected, then it will start registering the device to the cloud.



(4) Once the device was added successfully, you can remote water your lawn from anywhere.



6. Create a watering timer / watering schedule

(1) Tap “**Timer**” icon on the bottom.

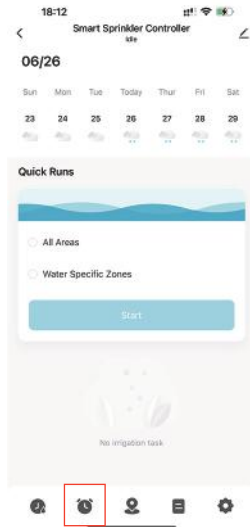
(2) Choose the timer type

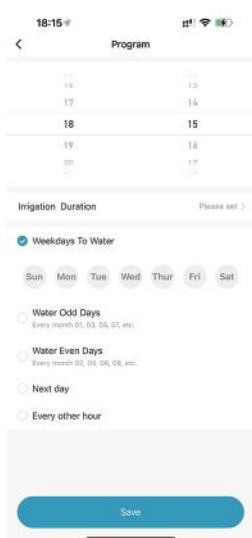
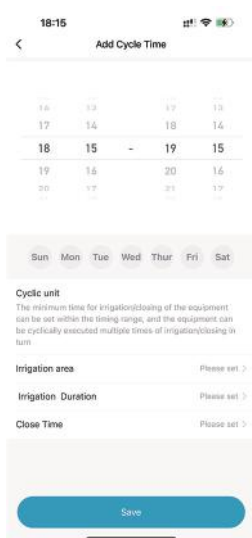
There are 2 types of timers to choose from:

Normal Timer: the timers will run at the specified time, and each timer can include multiple zones.

Cycle Timer: the timers will run repeatedly within the set time period, and each timer can only include one zone.

Important: at any time, only one zone can be running.

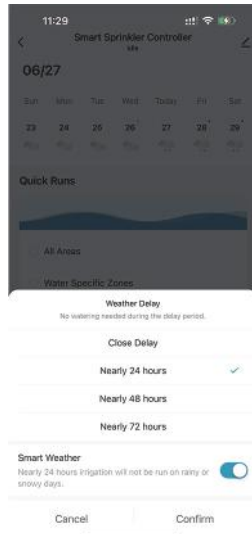
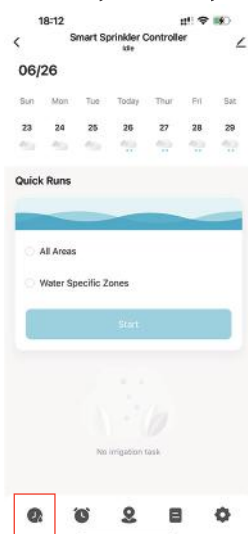




7. Smart Weather

(1) Tap “**Weather Delay**” icon on the bottom

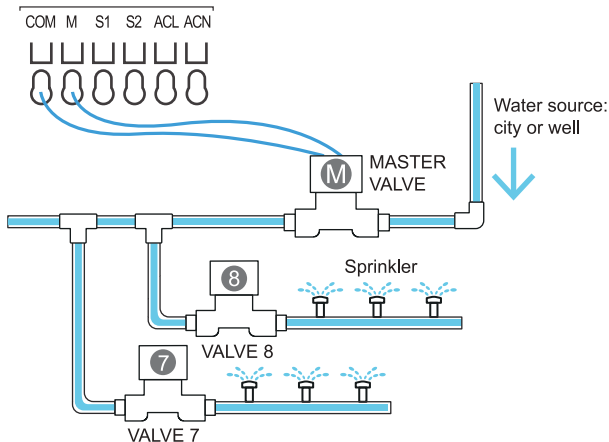
(2) With “**Smart Weather**” enabled, the water timers within the selected delay time will be skipped on rainy and snowy days.



Master Valve

A master valve is a “normally closed” valve installed at the supply point of the main line that opens whenever a zone is operating. Complete this wiring only if you have a master valve installed in your irrigation system.

Insert the 2 wires from the Master Valve into the “M” and “COM” terminal slots.

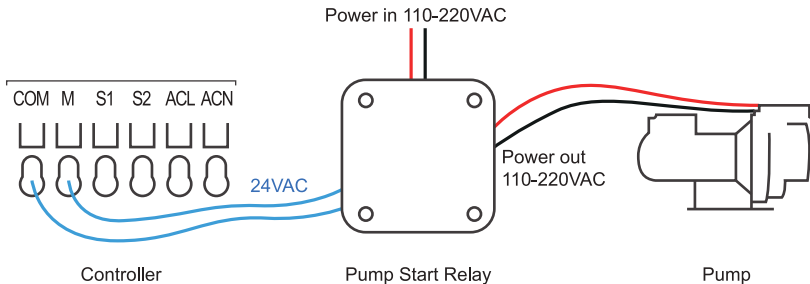


Pump Start Relay

A pump start relay serves as a switch that activates 110-220VAC power to the pump when the controller's master valve is enabled. Since the controller outputs 24VAC, a pump start relay is required when using a pump with the controller.

Insert the 2 wires from the Pump Start Relay into the "M" and "COM" terminal slots.

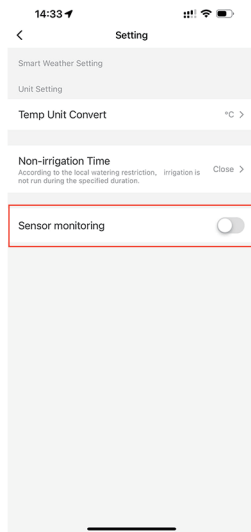
Important: the controller does not provide the main power for a pump.



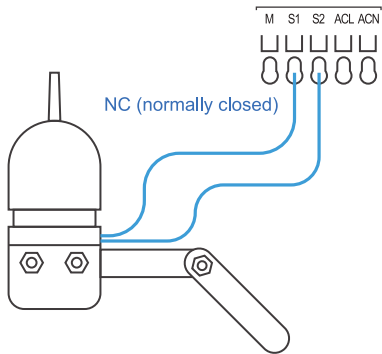
Rain Sensor

The controller can be used with third-party wired and wireless rain sensors. When moisture is detected, the rain sensor will temporarily stop the controller from watering. Rain sensors usually have three wires: common, normally open, and normally closed. This controller uses normally closed wiring (sometimes labeled NC).

Enable **“Sensor Monitoring”** when you need the rain sensor to intervene in your irrigation schedule.

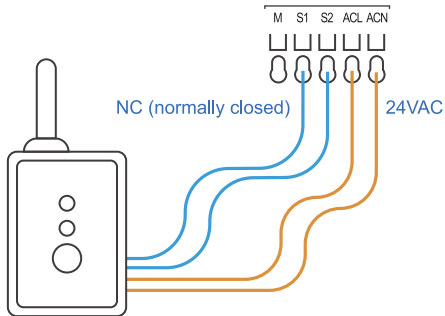


Wired Rain Sensor



Insert the normally closed and common wires into the S1 and S2 terminal slots.

Wireless Rain Sensor



- (1) Insert the normally closed and common wires into the S1 and S2 terminal slots.
- (2) Insert the 24VAC leads into the ACL and ACN terminal slots.

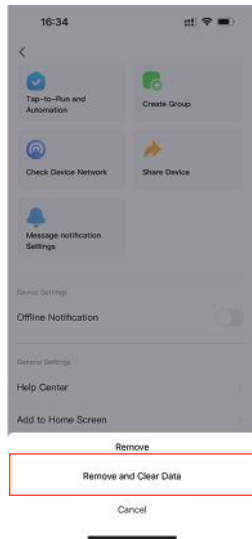
Manual Controls

Manually Start and Stop Zones

Press the Arrow Buttons to select the zone you want to run. Press the Select Button to start and stop the Selected Zone. When you start a zone, it will begin watering immediately and stop after 10 mins.

Factory Reset (Can't be undone)

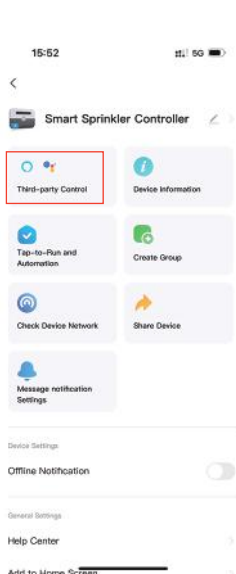
To restore the controller to factory settings, please remove the controller from your **"Smart Life"** App account and select "Remove and Clear Data".



Third-party Control

You can follow the instruction in the APP to link your “Smart Life” App account with Amazon Alexa and Google Assistant accounts, then you can control the controller on the Amazon Alexa App and Google Home App, or use voice commands to control the controller through the smart speakers or other devices that integrated with Alexa or Google Assistant.

The controller will be split into 9 separate devices, one master device controls all zones, and the remaining eight devices correspond to the eight-zones of the controller. You can rename the device name for easier voice control.



Amazon Alexa

After successfully connecting to Alexa, you can control your sprinklers with the power of your voice, you can run any zone for watering with the time you want, just by saying:

"Alexa, start Zone 1 for 5 minutes."

Google Assistant

After successfully connecting to Google Assistant, you can easily control your sprinklers just by speaking. You can ask Google to stop watering, or water all zones in your yard, and many more. Make using your sprinklers a hands-free experience.

"Hey Google, stop the Smart Sprinkler Controller"

Troubleshooting

Problem	Possible cause	Possible solution
Connection issues between mobile device and controller	WiFi signal strength is low	Verify with your phone, the WiFi signal is at least 2 bars of strength at the location of the controller. If it is not, try to relocate the WiFi router so it is closer and does not have as much interference. If this is not possible, Use a WiFi range extender to boost the signal strength.
	The App shows that the controller is offline and WiFi indicator on the controller is blinking	Check your local network, are other connected devices working properly? Try to re-connect the controller to your WiFi router.
	Failed to connect the controller to WiFi network	Make sure that the WiFi network is 2.4Ghz

Problem	Possible cause	Possible solution
Programmed schedules and manual watering functions don't start	Water source not supplying water	Verify there is not disruption to the main water line and that all other water supply lines are open and functioning properly
	Smart weather may be activated	Wait until the weather delay time runs out or disable "Smart Weather" on the App
	Connected rain sensor may be activated.	Wait until the rain sensor dries out or disable "Sensor Monitoring" on the App
	Wiring is loose or not properly connected	Check that valve wiring is securely connected at the controller and in the field
	Valve wires are corroded or damaged	Check valve wiring for damage and replace if necessary. Check wiring connections and replace with watertight splice connectors if needed



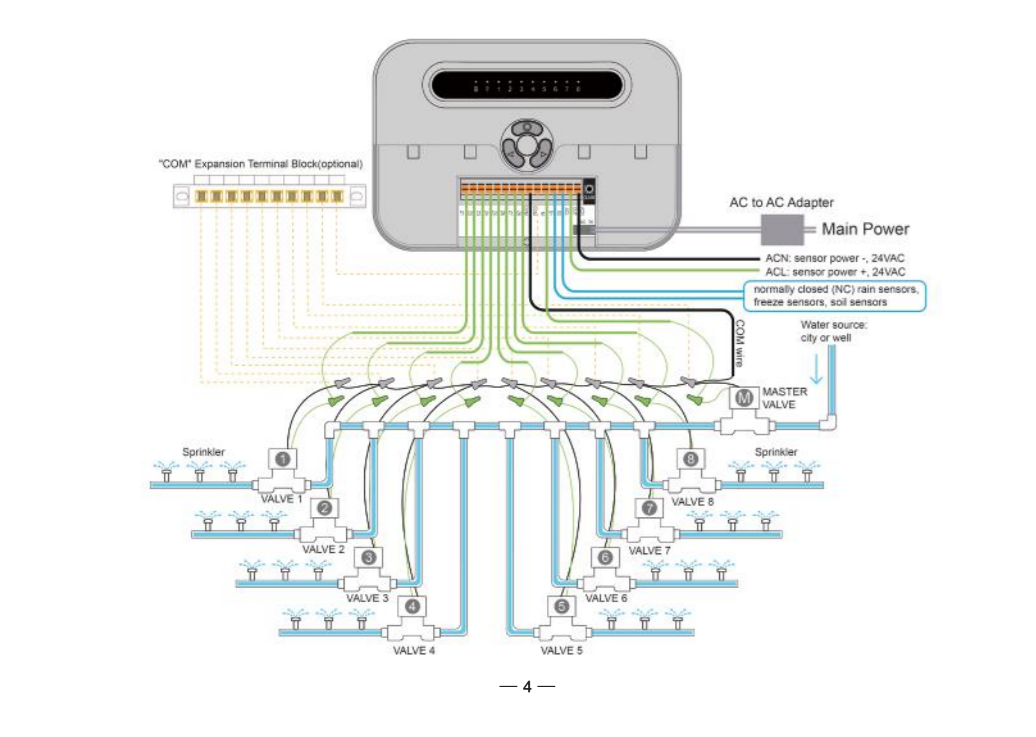


Welcome to smart watering!

Thank you for choosing our smart sprinkler controller.

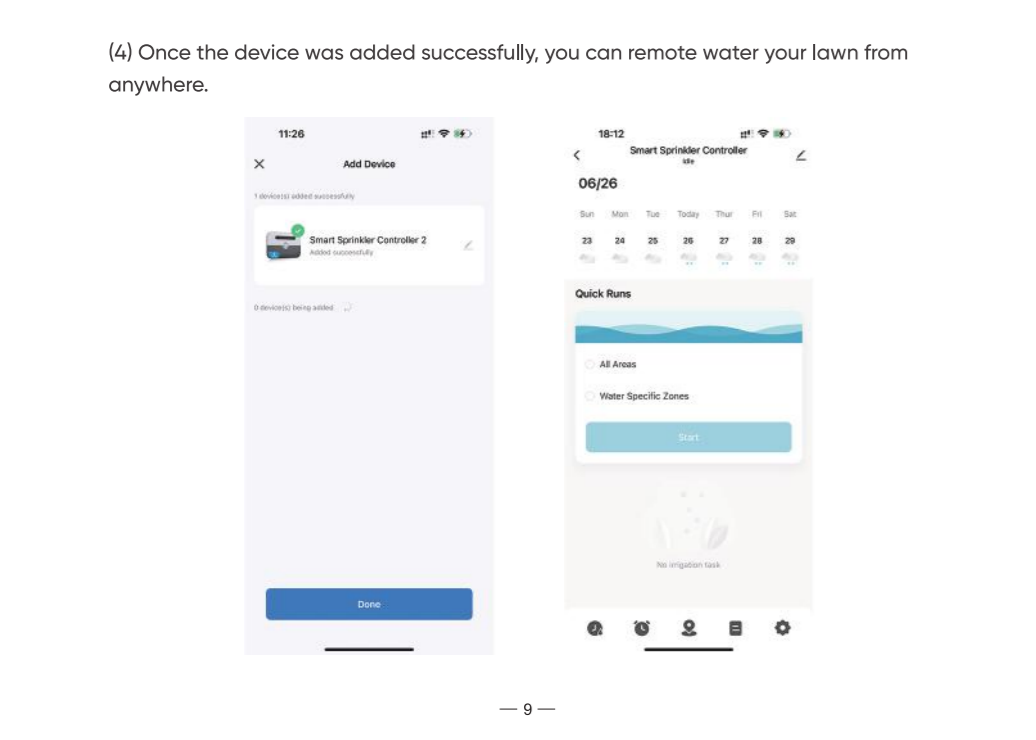
We can see groomed lawns not just in the parks or at the stadiums, but near buildings like hotels, banks, shops, filling stations, and country houses. Many of us like spending time in the backyard, drinking sprightly beverages and enjoying the view of the lawn. But then, what should we do to keep our lawns beautiful and alive, and prevent their drying?

This smart sprinkler controller gives you a smarter way to water, it can be controlled with smartphone from any corner of the world.



3. Power on the controller
Insert the power connector into the controller's power port, plug the transformer into a wall outlet.

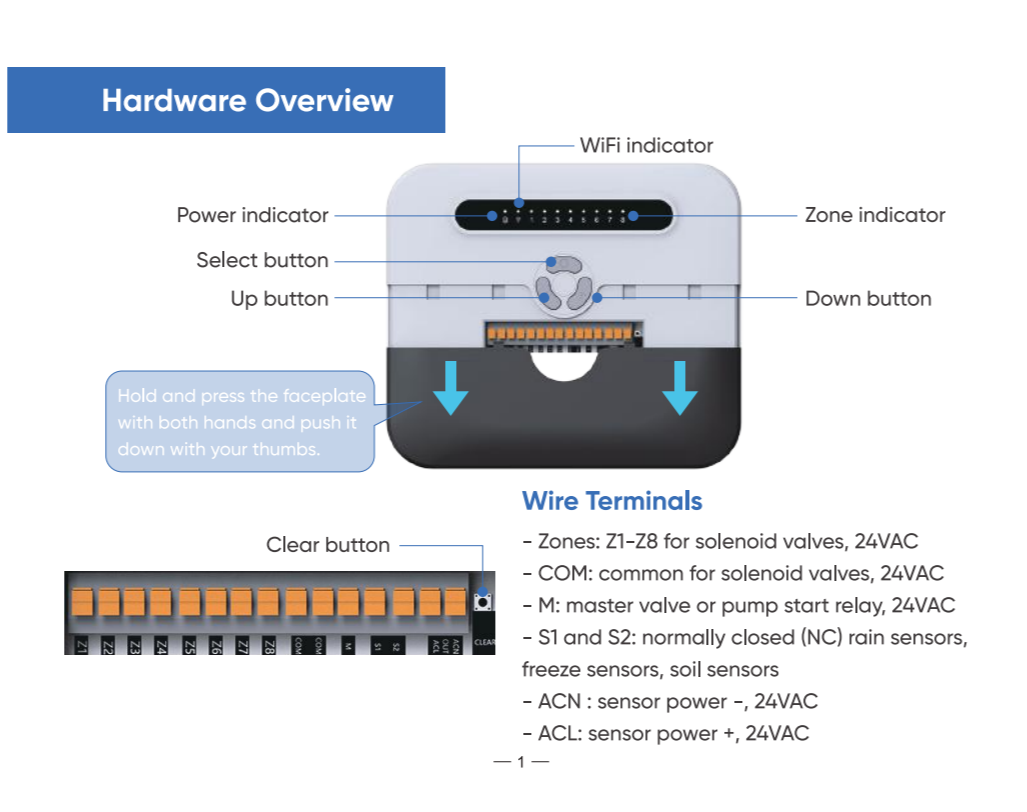
4. Mount the controller
Secure the bracket into the wall with the included screws and anchors, and then hang the controller on the bracket.



6. Create a watering timer / watering schedule
(1) Tap "Timer" icon on the bottom.

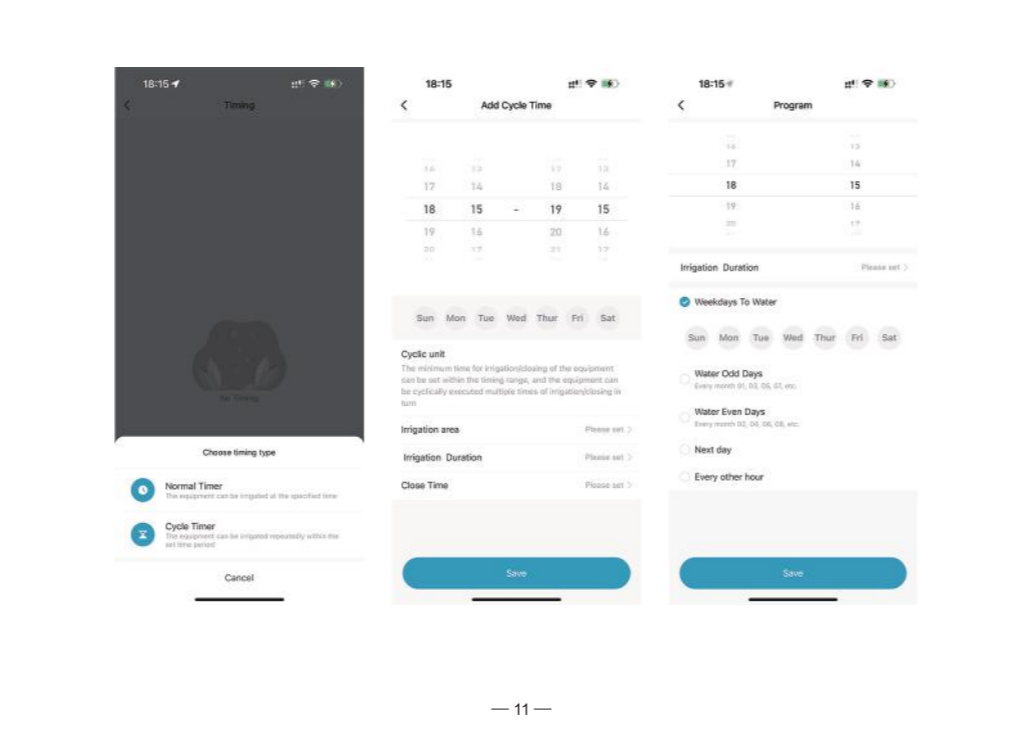
(2) Choose the timer type
There are 2 types of timers to choose from:
Normal Timer: the timers will run at the specified time, and each timer can include multiple zones.
Cycle Timer: the timers will run repeatedly within the set time period, and each timer can only include one zone.

Important: at any time, only one zone can be running.



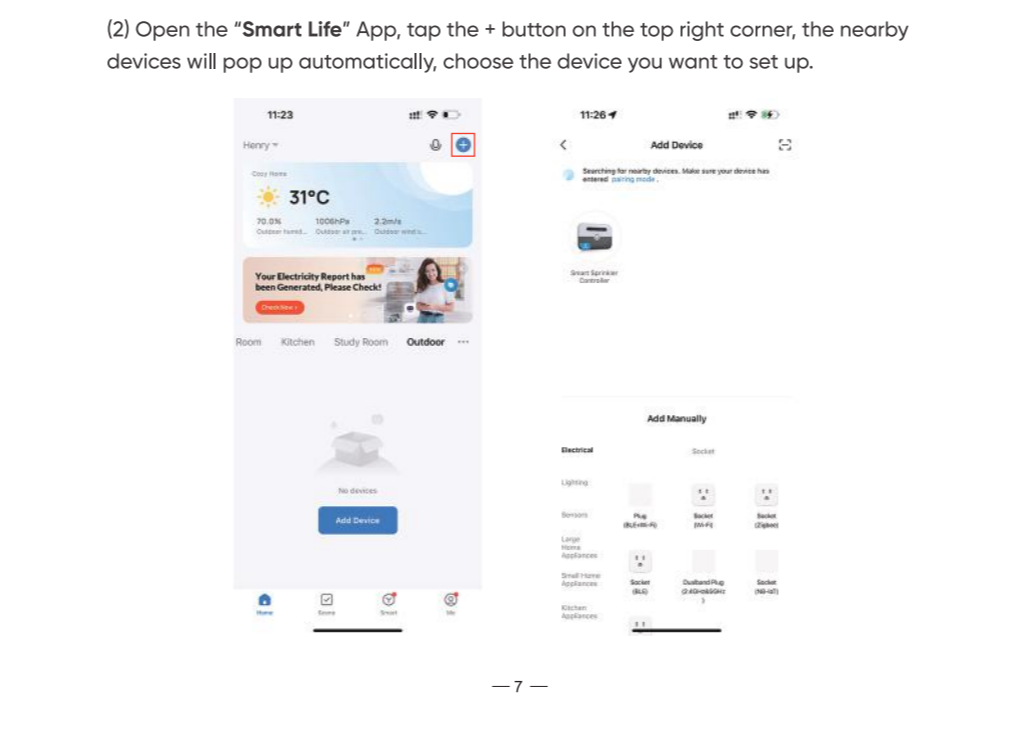
5. Connect the controller to Wi-Fi
Before you begin:
- The place where you want to install the controller should be covered by your home Wi-Fi.
- Your mobile device must be connected to the same Wi-Fi that the controller will connect to. (Only 2.4G networks supported).
- Make sure the Bluetooth of your mobile device is on.
- To connect to a new Wi-Fi network, please follow the steps below to update the Wi-Fi network.

(1) Use a small screwdriver to press and hold the "Clear" button for about 5s and release until the Wi-Fi indicator light is rapidly flashing that indicates the controller is ready to configure.



Download the App to your mobile phone

(1) Search the keyword "Smart Life" in APP Store or Google Play to download the App.
(2) Open the App and register an account to log in.



7. Smart Weather
(1) Tap "Weather Delay" icon on the bottom.
(2) With "Smart Weather" enabled, the water timers within the selected delay time will be skipped on rainy and snowy days.

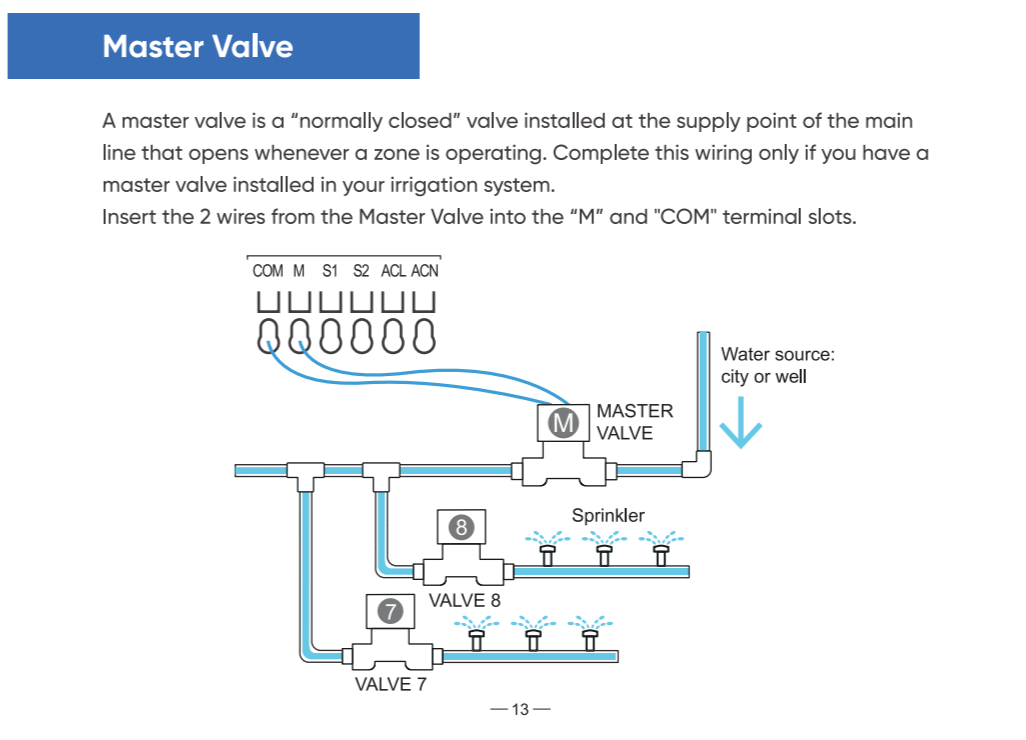
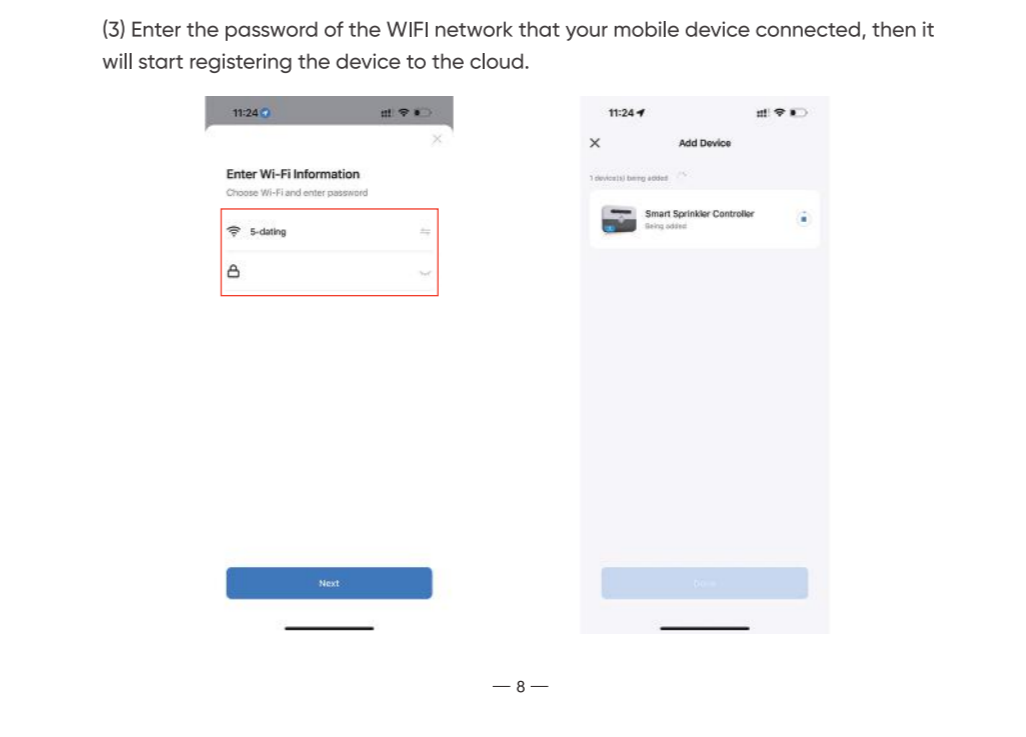
Installation

What you will need?
Wi-Fi Access
2.4GHz network required (Not support 5GHz networks)
Mobile devices
Requires iOS 9.3 or newer or Android 4.0 or newer
1x Screwdriver 1x Wire stripper
1x Drill 1x Hammer

1. Select a location
Choose a location near power and away from direct sunlight. This location should have a good Wi-Fi signal, you can check the signal using a smartphone.

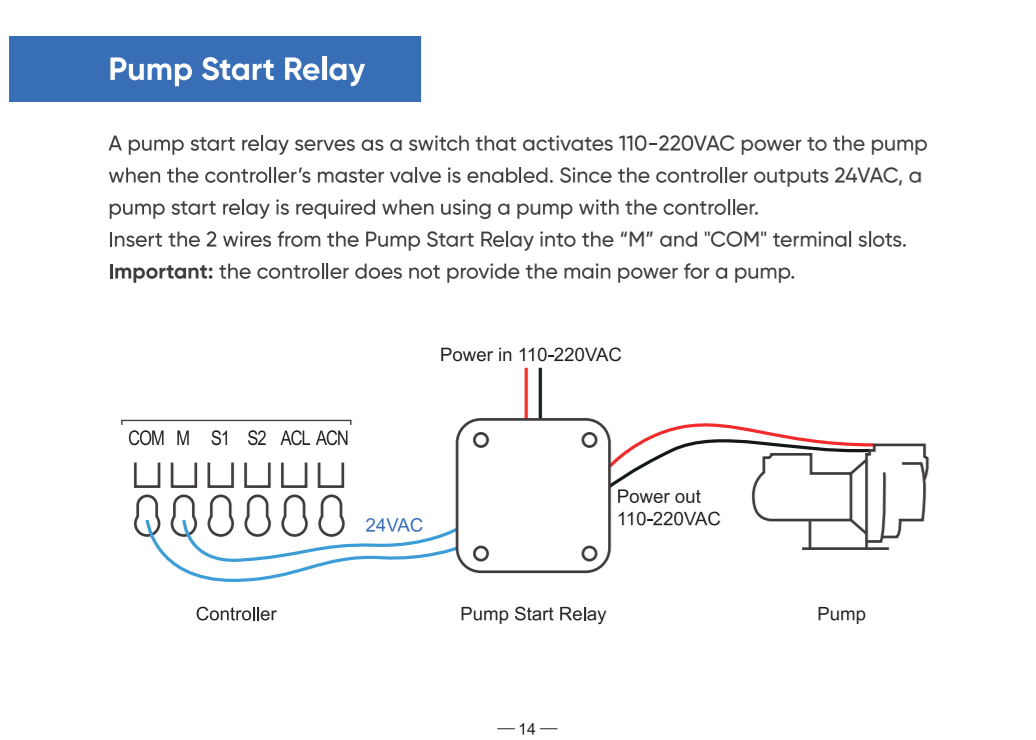
2. Connect valve wires
Strip about 10mm of insulation from each wire, attach one wire from each valve to a "Common" (COM) terminal and the other wires to a numbered terminal (one wire per terminal).

Note: to prevent damage to the controller, connect only one valve to each terminal.



Master Valve

A master valve is a "normally closed" valve installed at the supply point of the main line that opens whenever a zone is operating. Complete this wiring only if you have a master valve installed in your irrigation system. Insert the 2 wires from the Master Valve into the "M" and "COM" terminal slots.



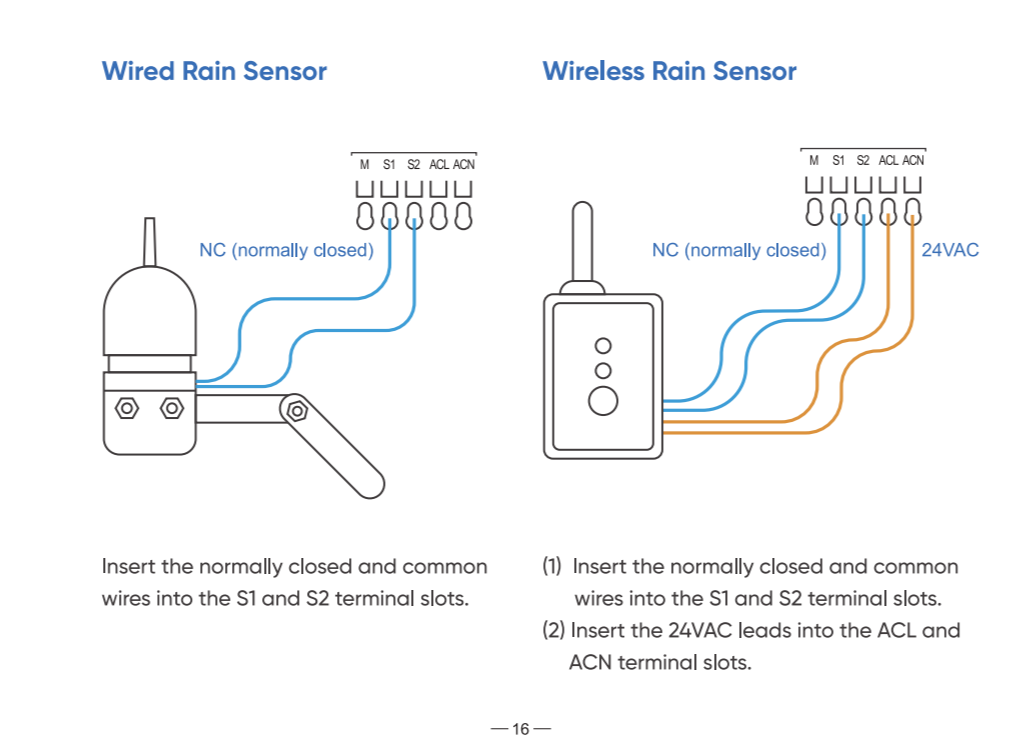
Pump Start Relay

A pump start relay serves as a switch that activates 110-220VAC power to the pump when the controller's master valve is enabled. Since the controller outputs 24VAC, a pump start relay is required when using a pump with the controller. Insert the 2 wires from the Pump Start Relay into the "M" and "COM" terminal slots. **Important:** the controller does not provide the main power for a pump.

Rain Sensor

The controller can be used with third-party wired and wireless rain sensors. When moisture is detected, the rain sensor will temporarily stop the controller from watering. Rain sensors usually have three wires: common, normally open, and normally closed. This controller uses normally closed wiring (sometimes labeled NC).

Enable "Sensor Monitoring" when you need the rain sensor to intervene in your irrigation schedule.



Problem	Possible cause	Possible solution
Programmed schedules and manual watering functions don't start	Water source not supplying water	Verify there is not disruption to the main water line and that all other water supply lines are open and functioning properly.
	Smart weather may be activated	Wait until the weather delay time runs out or disable "Smart Weather" on the App.
	Connected rain sensor may be activated.	Wait until the rain sensor dries out or disable "Sensor Monitoring" on the App.
	Wiring is loose or not properly connected	Check that valve wiring is securely connected at the controller and in the field.
Valve wires are corroded or damaged	Check valve wiring for damage and replace if necessary.	Check wiring connections and replace with watertight splice connectors if needed.

Manual Controls

Manually Start and Stop Zones
Press the Arrow Buttons to select the zone you want to run. Press the Select Button to start and stop the Selected Zone. When you start a zone, it will begin watering immediately and stop after 10 mins.

Factory Reset (Can't be undone)

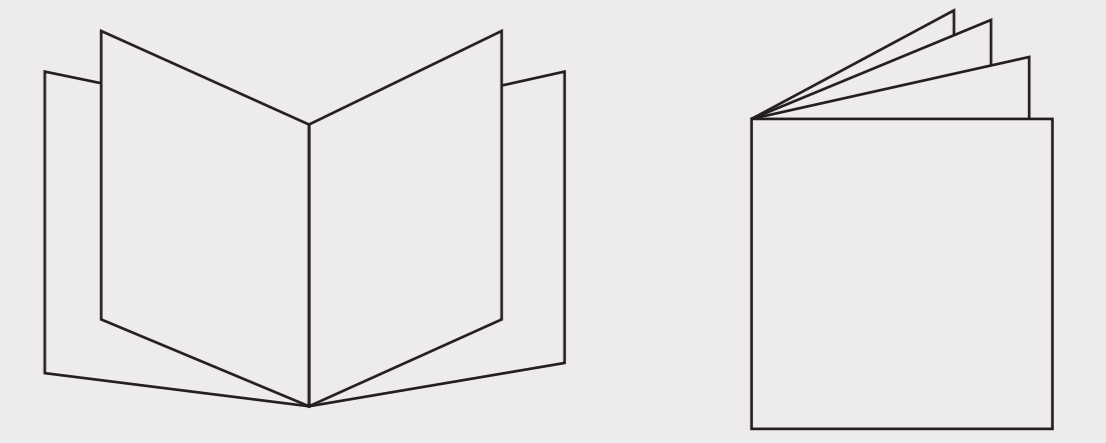
To restore the controller to factory settings, please remove the controller from your "Smart Life" App account and select "Remove and Clear Data".

Troubleshooting

Problem	Possible cause	Possible solution
Connection issues between mobile device and controller	WiFi signal strength is low	Verify with your phone, the WiFi signal is at least 2 bars of strength at the location of the controller. If it is not, try to relocate the WiFi router so it is closer and does not have as much interference. If this is not possible, use a WiFi range extender to boost the signal strength.
	The App shows that the controller is offline and WiFi indicator on the controller is blinking.	Check your local network, are other connected devices working properly? Try to re-connect the controller to your WiFi router.
	Failed to connect the controller to WiFi network	Make sure that the WiFi network is 2.4Ghz.

印刷说明:

1、尺寸: 130×100mm
2、128g铜版纸四色印刷
3、骑马钉, 装订方式如下图:



封底	封面	卷首页	第1页
第2页	第3页	第4页	第5页
第6页	第7页	第8页	第9页
第10页	第11页	第12页	第13页
第14页	第15页	第16页	第17页
第18页	第19页	第20页	第21页



FCC WARNING

This device complies with part 15 of the FCC Rules. Operation is subject to the following two conditions: (1) this device may not cause harmful interference, and (2) this device must accept any interference received, including interference that may cause undesired operation.

Any changes or modifications not expressly approved by the party responsible for compliance could void the user's authority to operate the equipment.

NOTE: This equipment has been tested and found to comply with the limits for a Class B digital device, pursuant to Part 15 of the FCC Rules. These limits are designed to provide reasonable protection against harmful interference in a residential installation. This equipment generates, uses and can radiate radio frequency energy and, if not installed and used in accordance with the instructions, may cause harmful interference to radio communications.

However, there is no guarantee that interference will not occur in a particular installation.

If this equipment does cause harmful interference to radio or television reception, which can be determined by turning the equipment off and on, the user is encouraged to try to correct the interference by one or more of the following measures:

- Reorient or relocate the receiving antenna.
- Increase the separation between the equipment and receiver.
- Connect the equipment into an outlet on a circuit different from that to which the receiver is connected.
- Consult the dealer or an experienced radio/TV technician for help.

To maintain compliance with FCC's RF Exposure guidelines, This equipment should be installed and operated with minimum distance between 20cm the radiator your body: Use only the supplied antenna.