

Antenna Specification

Manufacturer: Shenzhen Yuanchangxin Hardware Products Co., Ltd.

Address: 1st Floor, Building C, Qiaotong Industrial Park, Yuanling Village, Shiyan Street, Baoan District, Shenzhen City, China.

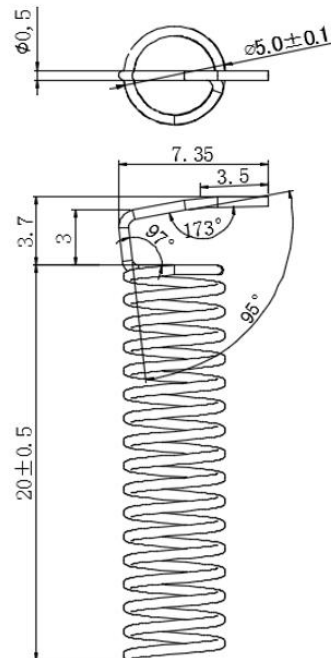
1 .Type: Helical Spring antenna

2. Features

1).Stable and reliable in performances

2).RoHS compliance

3.Antenna Dimensions (unit: mm)



Material : steel

Wire Diameter: 0.5 ± 0.1 mm

Number of turns:18.5

Length: 20 ± 0.5 mm

