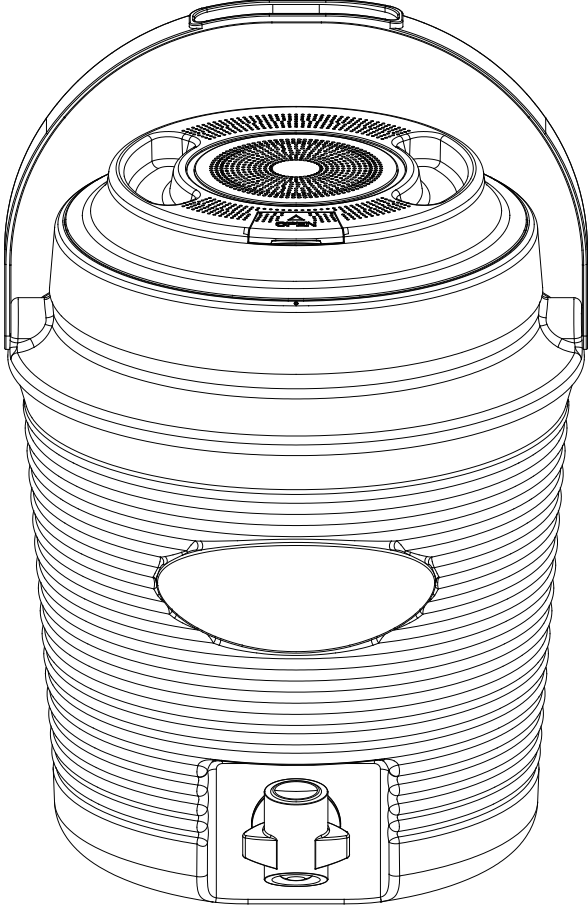


Cooler Jug Speaker MA107

User Manual



FCC ID:2AR37-MA107

Thank you for purchasing our product MA107
please read this manual carefully before using!



NOTE: This equipment has been tested and found to comply with the limits for a Class B digital device, pursuant to part 15 of the FCC Rules. These limits are designed to provide reasonable protection against harmful interference in a residential installation. This equipment generates uses and can radiate radio frequency energy and, if not installed and used in accordance with the instructions, may cause harmful interference to radio communications. However, there is no guarantee that interference will not occur in a particular installation. If this equipment does cause harmful interference to radio or television reception, which can be determined by turning the equipment off and on, the user is encouraged to try to correct the interference by one or more of the following measures:

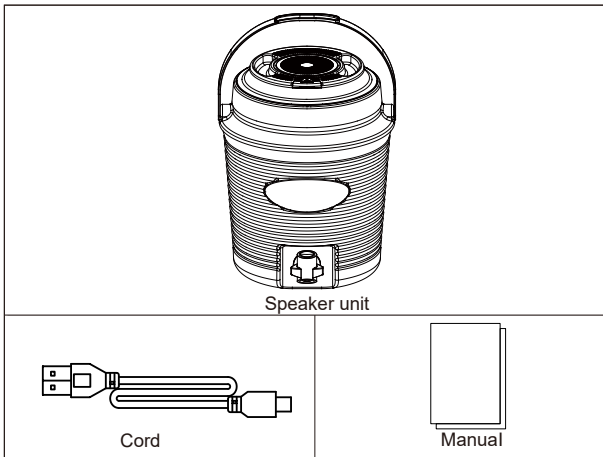
- Reorient or relocate the receiving antenna.
- Increase the separation between the equipment and receiver.
- Connect the equipment into an outlet on a circuit different from that to which the receiver is connected.
- Consult the dealer or an experienced radio/TV technician for help

Changes or modifications not expressly approved by the party responsible for compliance could void the user's authority to operate the equipment.

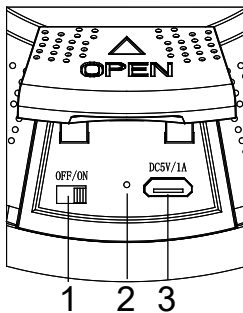
This device complies with Part 15 of the FCC Rules. Operation is subject to the following two conditions:

- (1) this device may not cause harmful interference, and
- (2) this device must accept any interference received, including interference that may cause undesired operation.

1.Package



2. Interface Description



- 1).Power switch OFF/ON
- 2).Red light indicates that unit is charging,Blue light indicates that unit is playing
- 3).Power Cord (DC5V/1A Input)

Charging instructions:

Charging	Insert power cord to charge.
	Red light indicates that unit is charging.
	Red light turns off when fully charged.
	Do not charge for more than 6 hours even if red light stays on.
	Unplug power cord once charging is complete.
Play time	More than 10 hours at 50% volume.

3. Bluetooth Pairing

Turn on power then search for “MA107” on your device. If your device requests a pairing code, enter “0000”. This speaker only supports one device pairing at a time so disconnect your other devices before attempting to pair.

4. Specification

Function	Specification
Distance	6.0M at Max
Frequency Range	2.4GHz-2.48GHz
Power Supply	Built-in Chargeable Li-ion Battery
Play time	more than 10hrs at 50% volume
RMS	3W
Driver Impedance	4Ω
Frequency Response	90Hz-20KHz
Size	22.5cm*28cm
Water proof IPxx	IP41
Working Temperature	10 C ~40 C