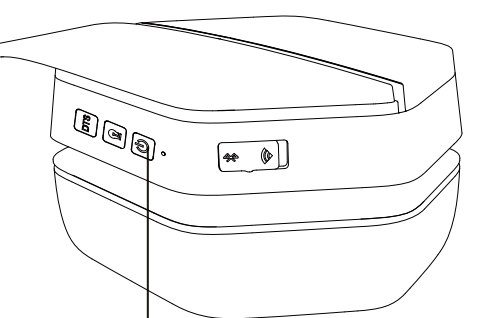


TAG5106

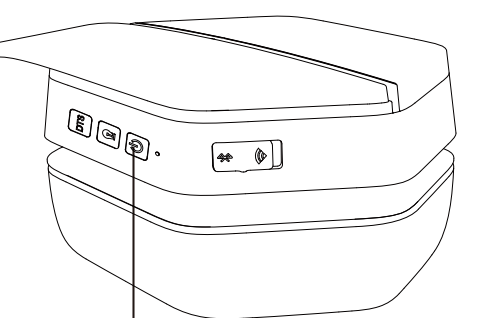
Accordion folding with 1 color printing (double side printing):
Finished size – W80 X H129.5 mm

8 Call Features



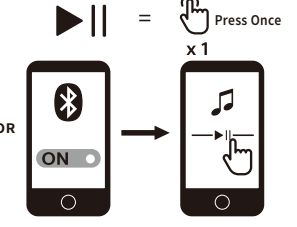
- Call icon = Press Once
- Call icon = Press & Hold
- Call icon = 04"

9 Play/Pause

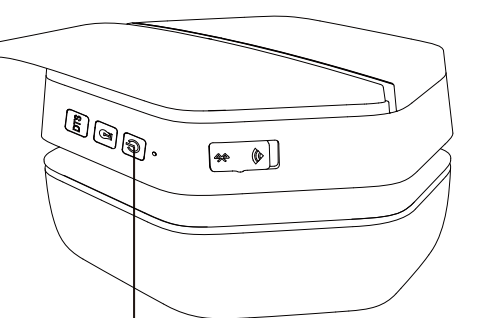


- Play/Pause icon = Press Once

OR

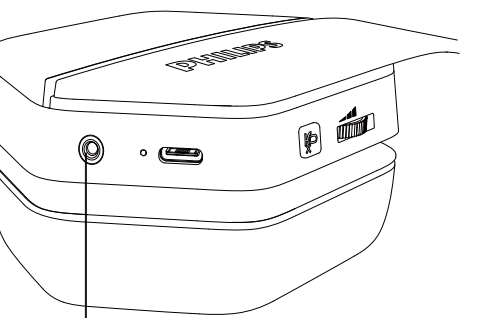


10 Track Control



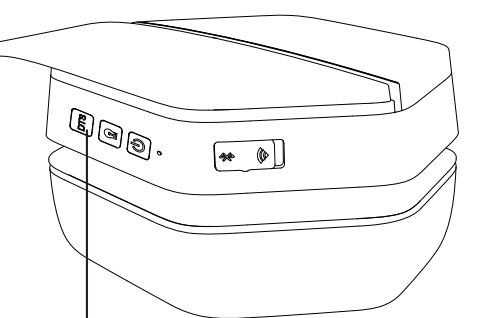
- Track Control icon = Press Three Times
- Track Control icon = Press Twice

11 Audio(line-in)



- Audio cable: 3.5mm
- Line-in port: 3.5mm

11 DTS



- DTS icon = Press Once

Please visit the official Philips Support website
<http://www.philips.com/support>, download and install the Philips Precision Center software to enable the DTS HeadphoneX2.0 surround sound and other features.

English:

Notice of compliance

The device complies with the FCC rules, Part 15. Operation is subject to the following two conditions:
1. This device may not cause harmful interference, and
2. This device must accept any interference received, including interference that may cause undesired operation.

FCC rules

This equipment has been tested and found to comply with the limits for a Class B digital device, pursuant to part 15 of the FCC Rules. These limits are designed to provide reasonable protection against harmful interference in a residential installation. This equipment generates, uses and can radiate radio frequency energy and, if not installed and used in accordance with the instruction manual, may cause harmful interference to radio communications.

However, there is no guarantee that interference will not occur in a particular installation. If this equipment does cause harmful interference to radio or television reception, which can be determined by turning the equipment off and on, the user is encouraged to try to correct the interference by one or more of the following measures:

- Reorient or relocate the receiving antenna.
- Increase the separation between equipment and receiver.
- Connect the equipment into an outlet on a circuit different from that to which the receiver is connected.
- Consult the dealer or an experienced radio/TV technician for help.

FCC Radiation Exposure Statement:

This equipment complies with FCC radiation exposure limits set forth for an uncontrolled environment. This transmitter must not be co-located or operating in conjunction with any other antenna or transmitter.

Caution: The user is cautioned that changes or modifications not expressly approved by the party responsible for compliance could void the user's authority to operate the equipment.

Canada:
This device contains licence-exempt transmitter(s)/receiver(s) that comply with Innovation, Science and Economic Development Canada's licence-exempt RSS(s). Operation is subject to the following two conditions: (1) this device may not cause harmful interference, and (2) this device must accept any interference received, including interference that may cause undesired operation of the device.
CAN ICES - 003(B)/NMB - 003(B)

IC Radiation Exposure Statement:

This equipment complies with Canada radiation exposure limits set forth for uncontrolled environments. This transmitter must not be co-located or operating in conjunction with any other antenna or transmitter.



French:

Avis de conformité

Cet appareil satisfait aux règlements de la FCC partie 15 du Code de Federal Regulations. Son fonctionnement est assujéti aux deux conditions suivantes:
1. Cet appareil ne doit pas causer d'interférence préjudiciable et
2. L'appareil doit accepter toute interférence reçue, y compris les interférences qui peuvent causer un fonctionnement non désiré.

Règlement de la FCC

Cet équipement a été testé et jugé compatible avec les limites s'appliquant aux appareils numériques de la classe B, conformément à l'article 15 du règlement de la FCC. Ces limites ont été définies pour fournir une protection raisonnable contre les interférences nuisibles dans le cadre d'une installation résidentielle. Cet équipement génère, utilise et peut émettre de l'énergie radiofréquence et, s'il n'est pas installé ni utilisé conformément aux instructions, peut causer des interférences gênantes pour les communications radio. Rien ne garantit toutefois que des interférences ne surviendront pas dans une installation particulière. Si cet équipement cause des interférences nuisibles pour la réception de la radio ou de la télévision, ce qui peut être déterminé en mettant l'équipement hors tension puis sous tension, l'utilisateur devra essayer de corriger ces interférences en effectuant une ou plusieurs des opérations suivantes:

- Déplacer l'antenne de réception.
- Augmenter la distance entre l'équipement et le récepteur.
- Brancher l'équipement à une prise d'un circuit autre que celui sur lequel le récepteur est branché.
- Consulter le détaillant ou un technicien de radiotélévision expérimenté.

Canada:

L'émetteur/récepteur exempt de licence contenu dans le présent appareil est conforme aux CNR d'Innovation, Sciences et Développement économique Canada applicables aux appareils radio exempts de licence. L'exploitation est autorisée aux deux conditions suivantes:

- 1. L'appareil ne doit pas produire de brouillage;
- 2. L'appareil doit accepter tout brouillage radioélectrique subi, même si le brouillage est susceptible d'en compromettre le fonctionnement.

DECLARATION D'IC sur l'exposition aux radiations:

Cet équipement est conforme aux limites d'exposition aux radiations définies par le Canada pour des environnements non contrôlés. Cet émetteur ne doit pas être installé ni utilisé avec une autre antenne ou un autre émetteur.



PHILIPS

Headset

5000 Series

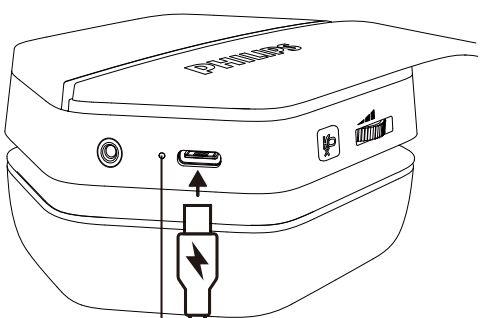
TAG5106LE

Quick start guide



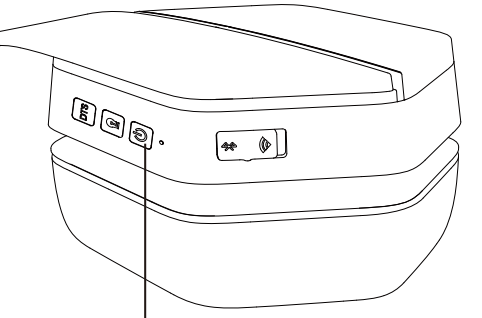
www.philips.com/welcome

1 Charging



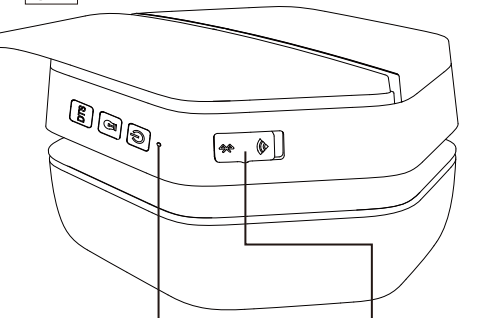
- Red light on
- 2h
- Light off

2 On/Off



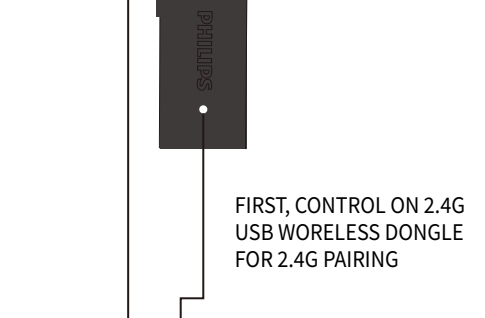
- Press & Hold
- 02"
- Press & Hold
- 04"

3 BT Pairing



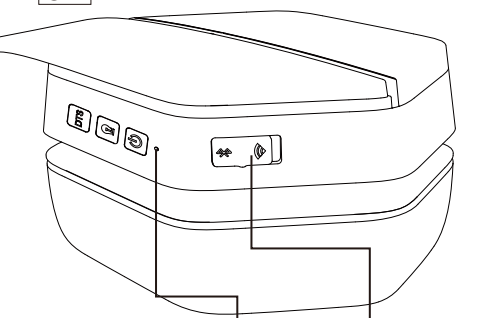
- 1. Push left
- 2. Flashing blue light for pairing mode
- 3. Turn on BT select Philips TAG5106

4 Connect Dongle



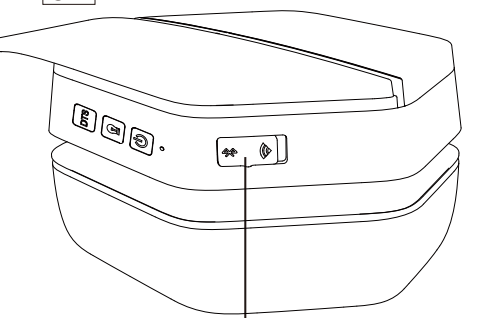
- 1. Connect button Hold for more than 2 seconds enter 2.4G wireless pairing mode
- 2. Indicate the status of 2.4G wireless connection

5 2.4G Pairing



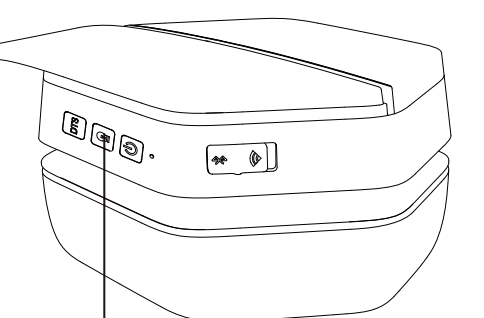
- 1. Push right
- 2. Flashing green light for pairing mode
- 3. Flashing green light once every 10 seconds for successful pairing

6 BT/2.4G



- 1. Push left
- 2. Push right

7 LED



- BREATHING LIGHT: Press Once
- RED LIGHT: Press Once
- GREEN LIGHT: Press Once
- BLUE LIGHT: Press Once
- WHITE LIGHT: Press Once

Welcome to Philips!

For an optimal experience register your product at:
Para especificações, garantia e informações do produto, acesse nosso website.
Pour une expérience optimale, enregistrez votre produit à l'adresse suivante:
www.philips.com/welcome

©2016 MMD Hong Kong Holding Limited. All rights reserved. Specifications are subject to change without notice. Philips and the Philips Shield Emblem are registered trademarks of Koninklijke Philips N.V. and are used under license. This product has been manufactured by and is sold under the responsibility of MMD Hong Kong Holding Limited or one of its affiliates, and MMD Hong Kong Holding Limited is the warrantor in relation to this product. All other company and product names may be trademarks of its respective companies with which they are associated.

Authorized Representative: UNICA E-ports Ltd.
Depis 302, 43 Queen Road, Causeway, District, 016 Republic of Singapore

Frequency range: 2.402-2405GHz
Transmitter power: 10dBm

ADVERTENCIA: Cuidado con el funcionamiento de Philips y de la batería. No desmonte ni abra la batería. Para obtener más información consulte el manual de instrucciones. No exponga ni manipule la batería fuera de sus límites de uso. Mantenga la batería fuera de los niños. Consulte el manual de instrucciones para obtener más información.

Este equipamento não tem direito à proteção contra interferências prejudiciais de radiofrequência emitida em ambientes domésticos ou outras situações similares não autorizadas pelo Serviço Nacional de Telecomunicações. Este equipamento pode ser utilizado em ambientes com interferência eletromagnética de radiofrequência emitida em ambientes domésticos ou outras situações similares não autorizadas pelo Serviço Nacional de Telecomunicações.

Full-time rescue in all languages available on: Manual d'istruzioni completi dans toutes les langues disponibles sur: Manuale completo de suporte disponibile in tutte le lingue presso il sito: Пользовательское руководство доступно на всех языках на сайте: Helpdesk and support are available on: Telefon: 800-002000 (within the Netherlands only) / 1-800-4PHILIPS (outside the Netherlands) / Email: philips@philips.com / Chat: www.philips.com/support

Model: TAG5106LE