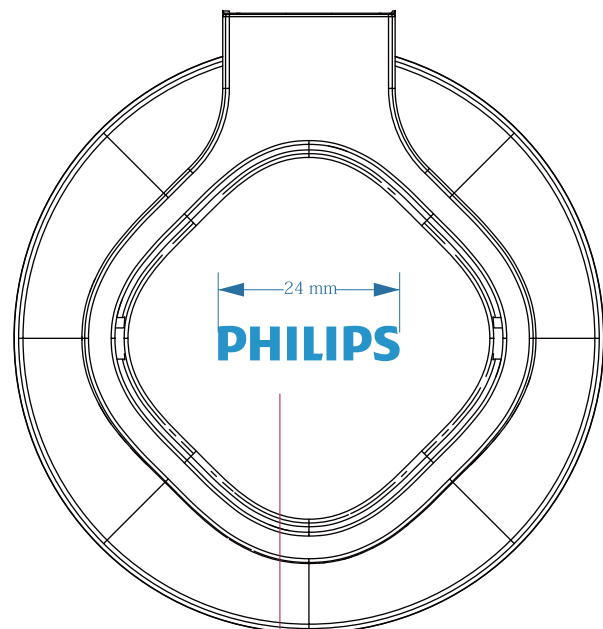
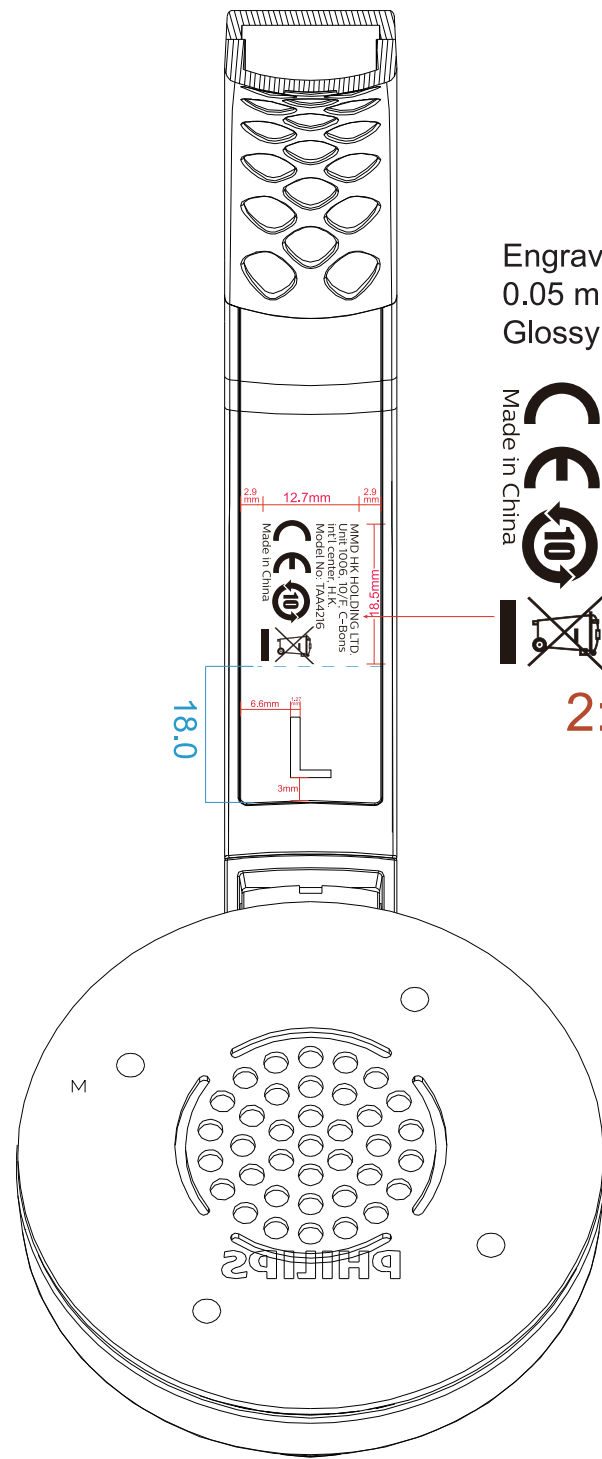


Left side  
Silkscreen PANTONE COOLGRAY 6C



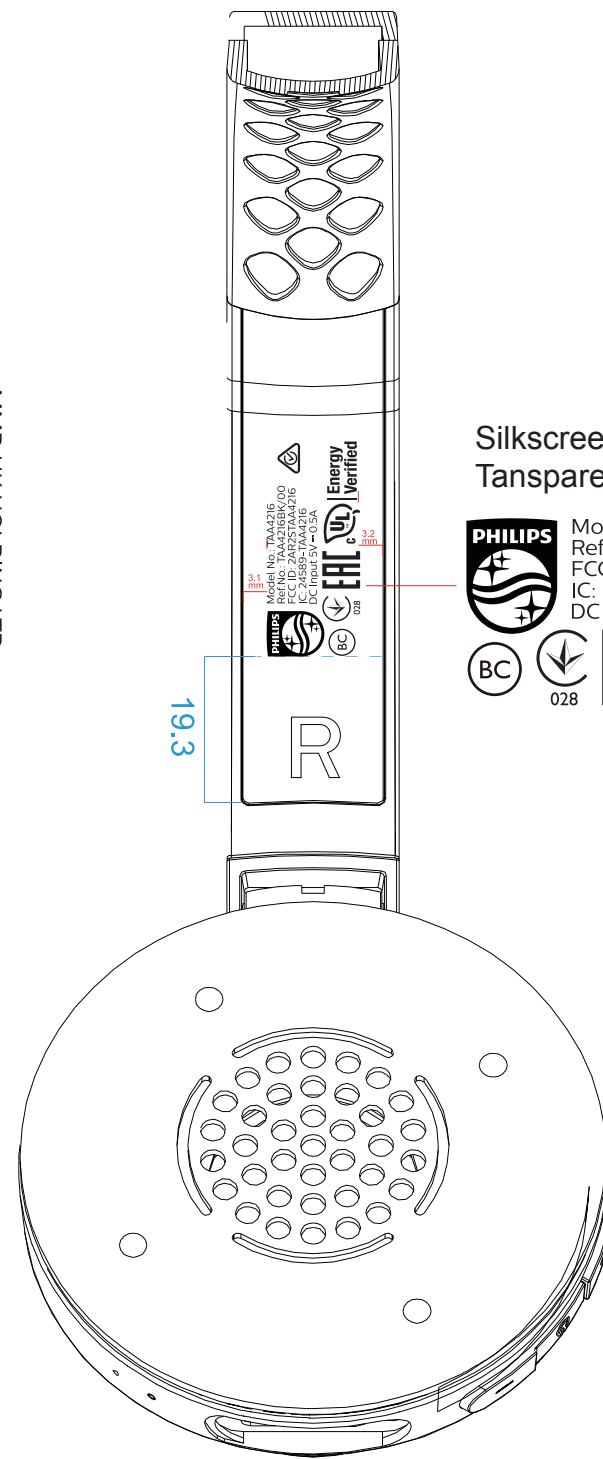
Right side  
Silkscreen PANTONE COOLGRAY 6C



Engraving  
0.05 mm  
Glossy

MMD HK HOLDING LTD.  
Unit 1006, 10/F, C-Bons  
Int'l center, H.K.  
Model No.: TAA4216  
Made in China

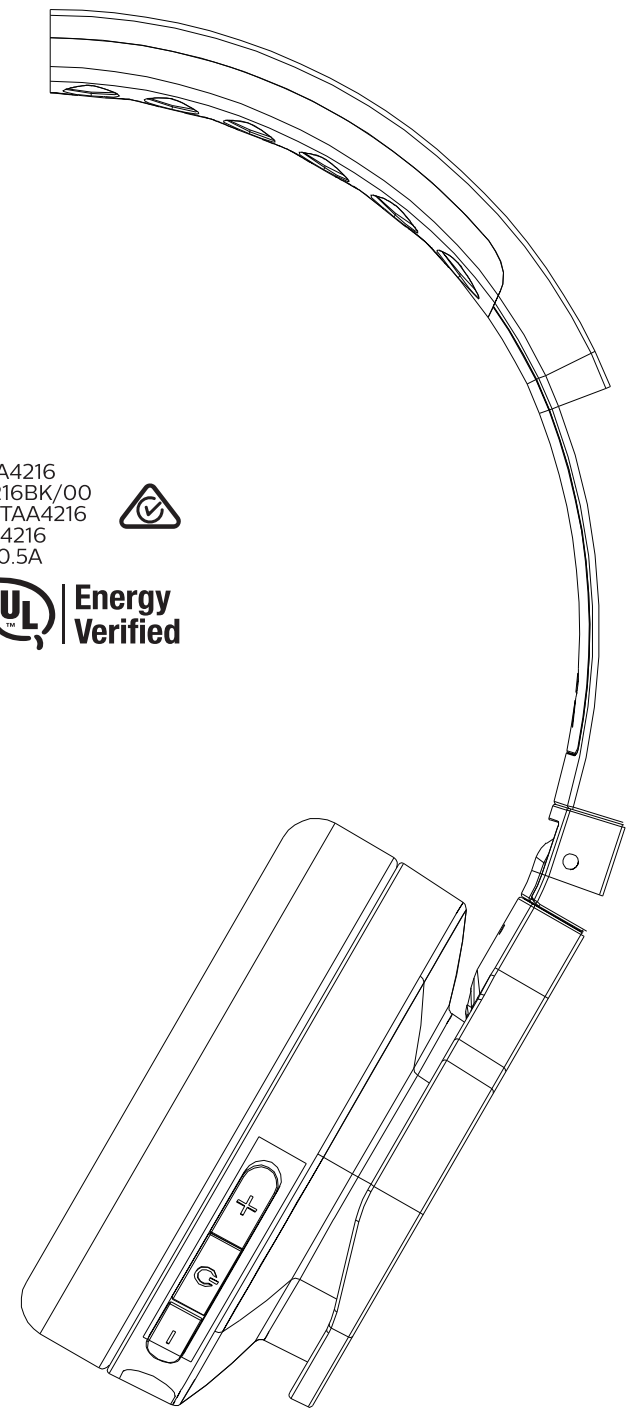
**2:1**



Silkscreen  
Tansparent UV

Model No.: TAA4216  
Ref.No.: TAA4216BK/00  
FCC ID: 2AR2STAA4216  
IC: 24589-TAA4216  
DC Input 5V=0.5A

**2:1**



⬆ Emboss up  
+ - Engrave  
Glossy

<b>Product Graphic Drawing (PGD)</b>	Product Design: TPV SZ ID Team
<b>Product name</b> A4216	Design Team:
Version : V1.6	ID :
Date: 26.02.2021	PM: