

Overview

ZLG600A-ANT is the antenna of ZLG600A Card Reader. This antenna is a coil antenna. Its operating frequency is 13.56MHz and it is used to receive NFC signals.

- ◆ Operating Frequency: 13.56MHz
- ◆ Dimension: 34.5mm x 54mm x 1mm
- ◆ Type: Coil Antenna
- ◆ Material: FR4

Features

Applications

- ◆ Finance and Commerce
- ◆ Software encryption
- ◆ Medical and Health care
- ◆ Traffic ticketing

Ordering Information

Model Number	Operating Temperature	Thickness
ZLG600A-ANT	-20 °C ~ +80 °C	1mm

Antenna Image



Revision History

Version	Date	Description
V1.0.00	2016/07/15	Created the document
V1.0.01	2020/12/21	Modified the document template
V1.0.10	2023/06/12	Update the dimension figure
V1.0.20	2023/08/11	Update the document template

Content

1. Introduction.....	1
2. Operation Instruction	2
3. Mechanical Dimension	3
4. Disclaimer	4

1. Introduction

ZLG600A-ANT is the antenna of ZLG600A Card Reader. This antenna is a coil antenna. Its operating frequency is 13.56MHz and it is used to tranceive NFC signals.



Figure 1 ZLG600A-ANT

2. Operation Instruction

ZLG600A-ANT is easy to use. It is often printed in the other side of a ZLG600A Card Reader Module. The antenna is connected to the RF circuit by resistors and capacitors, which is shown as Figure 2. The TX1 of antenna connects to the TX1 port. And the TX2 of antenna connects to the TX2 and RX port. The GND of antenna connects to the GND of ZLG600A.

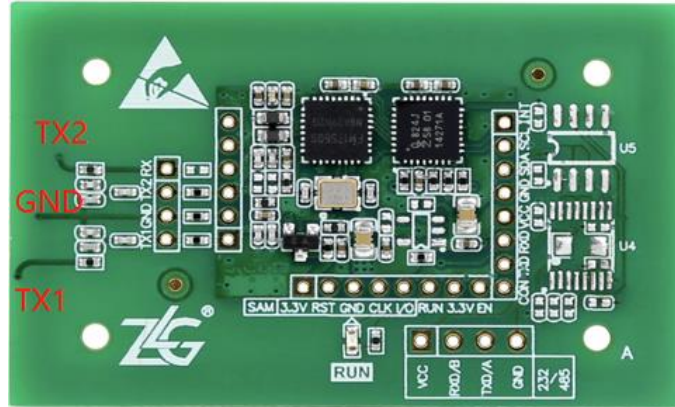


Figure 2 Connection of Antenna and ZLG600A

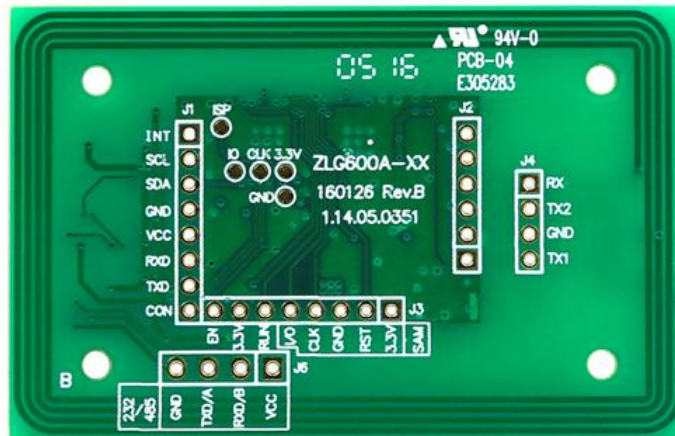


Figure 3 Back side of ZLG600A

Table 1 ZLG600A-ANT Parameters

Product Name	ZLG600A Card Reader Antenna
Type	Coil Antenna
Model Number	ZLG600A-ANT
Operating Frequency	13.56MHz
Dimension	34.5 x 54 x 1mm
Material	FR4
Operating Temperature	-40~+85°C

3. Mechanical Dimension

The mechanical dimension of ZLG600A-ANT is shown as Figure 4. The J1 connector pin spacing is 2mm. The J1 Pad diameter is 0.8mm. The thickness of ZLG600A-ANT is 1mm. The four corner mounting holes are of symmetrical structure. The dimension of PCB antenna is shown as Figure 5. The width of antenna is 0.508mm and the spacing of antenna is 0.806mm. Tolerance of dimensions not indicated is ± 0.10 . Unit: mm.

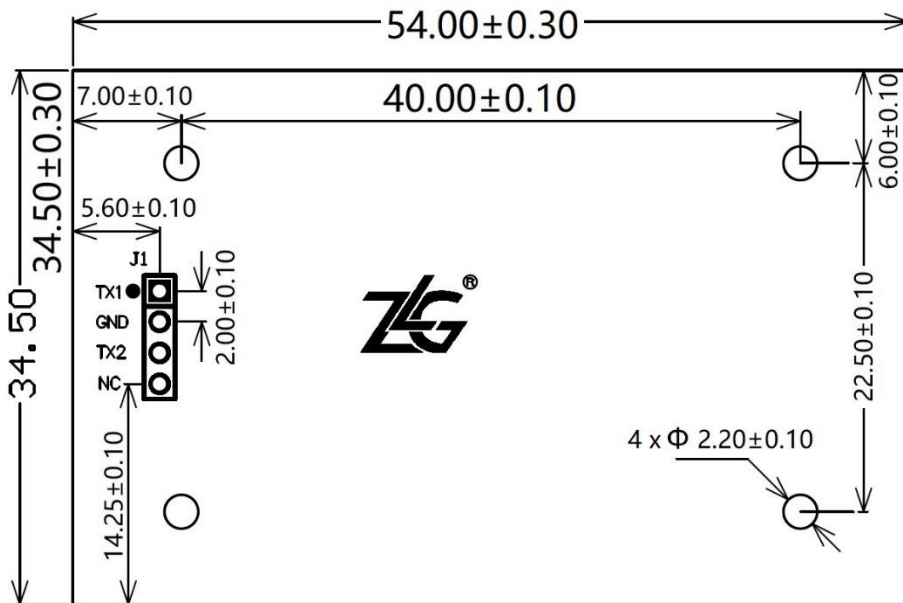


Figure 4 ZLG600A-ANT Dimension

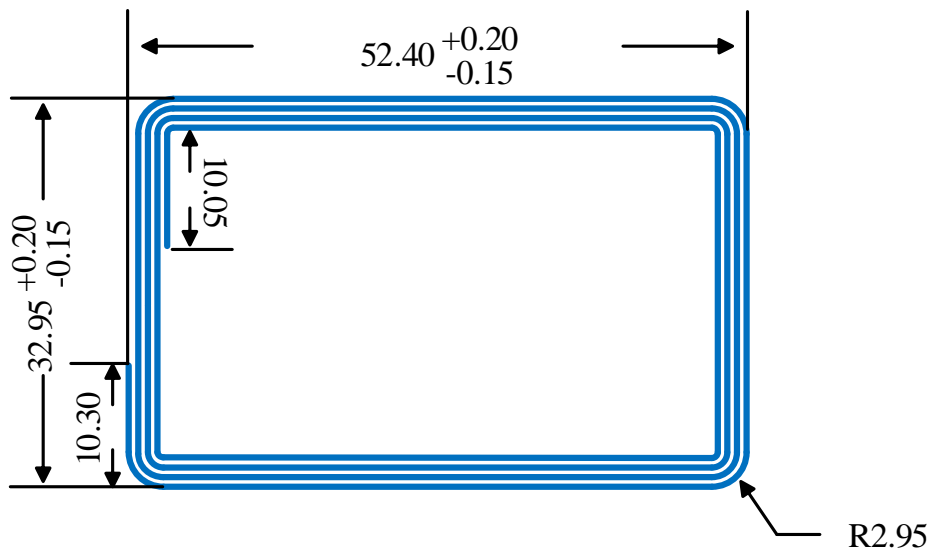


Figure 5 ZLG600A PCB Antenna Dimension

4. Disclaimer

About application information

The application information in this document applies to the R&D of ZLG600A Card Reader Antenna. Users shall modify and verify it based on the characteristics of their products before product development.

Rights to modify this document

The product text information and related software described in this document are all owned by Guangzhou ZHIYUAN Electronics Co., Ltd. All these property rights are protected by the national law absolutely. Without obtaining the authorization of ZHIYUAN Electronics, other companies, organizations, agencies and individuals shall not illegally copy and use the information, or else will be subject to the severe sanctions from national laws. ZHIYUAN Electronics reserves the right to modify this document at any time without any notice.

If you want to know our product and relevant information, please contact us promptly.

诚信共赢，持续学习，客户为先，专业专注，只做第一

广州致远电子股份有限公司

更多详情请访问

www.zlg.cn

欢迎拨打全国服务热线

400-888-4005

