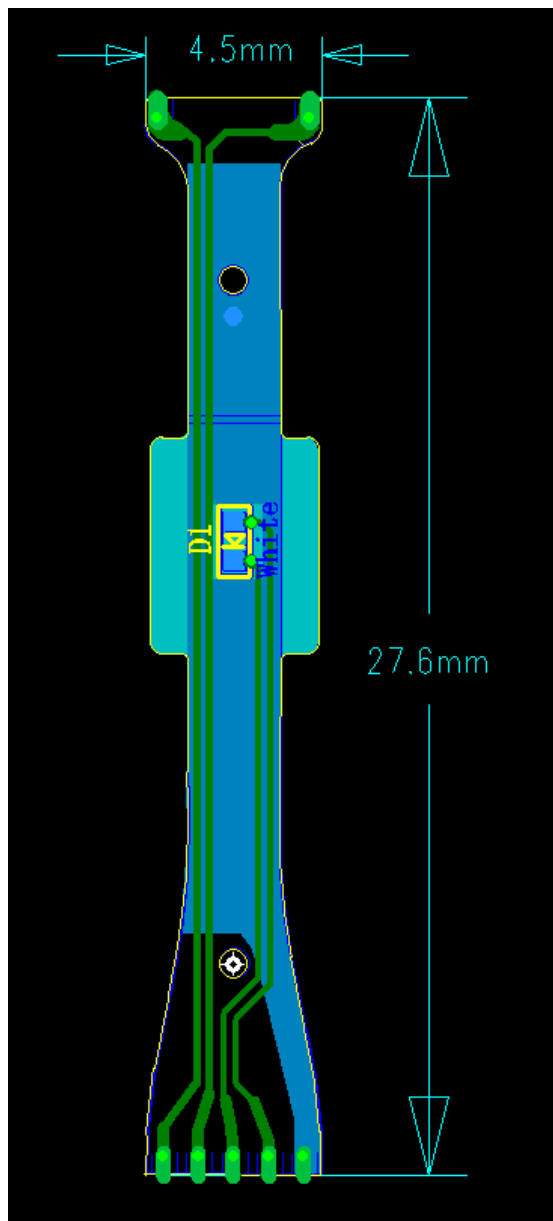


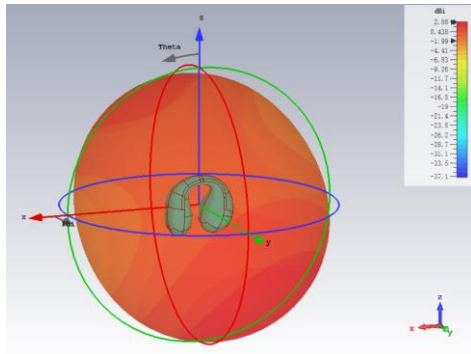
S39 antenna specification

1. Antenna type: Mono-pole antenna
2. Frequency range: 2400--2500MHz
3. Gain: 2.4GHz: 2.86 dBi, 2.44GHz: -0.46 dBi, 2.48GHz:3.827 dBi.
4. Polarization: Linear
5. Impedance: 50 ohm
6. Antenna size

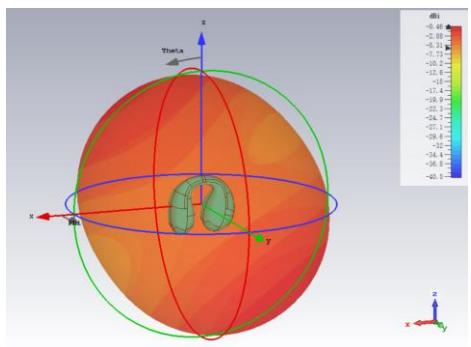


3D gain pattern

2.4GHz



2.44GHz



2.48GHz

