

## GENERAL INFORMATION

This remote control is designed to separately control your ceiling fan speed and light brightness. There are four buttons (HI, MED, LOW, OFF) to control the fan speed. The light button will control the light ON/FF and brightness. The red indicator on the transmitter will light when the button is pressed.

## INSTALLATION AND OPERATING INSTRUCTIONS

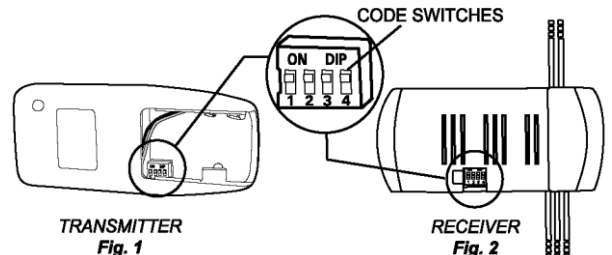
**CAUTION: TO REDUCE THE RISK OF FIRE OR INJURY, DO NOT USE THIS PRODUCT IN CONJUNCTION WITH ANY VARIABLE (RHEOSTAT) WALL CONTROL.**

### 1. SETTING THE CODE

**NOTE:** Before installing this unit, change the factory code switch setting to your preferred setting. Be sure the code switch positions on the transmitter and receiver match each other or the ceiling fan will not function. If this unit causes interference with other appliances, you may need to select different combinations.

This unit has 16 different code combinations. To set the code, perform these steps:

- A. Setting the code on the transmitter:
  - a. Remove battery cover. Press firmly below arrow and slide battery cover off.
  - b. Slide code switches to your choice of up or down position. (Factory setting is all up). Do not use this position. Use a small screwdriver or ballpoint pen to slide firmly up or down (Figure 1).
  - c. Replace battery cover on transmitter.
- B. Setting the code on the receiver:
  - a. Slide code switches to the same positions as set on your transmitter (Figure 2).



TRANSMITTER  
Fig. 1

RECEIVER  
Fig. 2

**CAUTION: CEILING ANGLE SHALL NOT EXCEED 19 DEGREES FOR MOUNTING CONTROLLER, MODEL: CFR-3D**

### 2. INSTALLING RECEIVER IN CEILING FAN

#### A. Safety precautions:

**WARNING: HIGH VOLTAGE!** Household electrical power can cause serious injury or death.

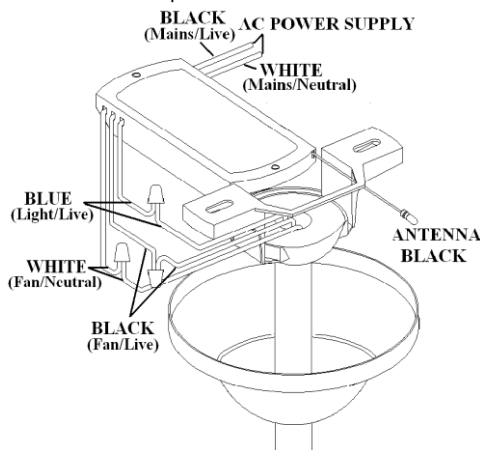
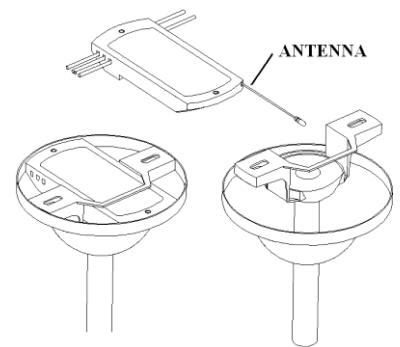
Disconnect source of electrical power to the ceiling fan by removing fuse or switching off circuit breaker. Make sure all electrical connections comply with local codes or ordinances and the National Electrical Code. If you are unfamiliar with electrical wiring, please use a qualified and licensed electrician. Do not use with solid state ceiling fans.

Electrical source and fan must be 115/120 volts, 60Hz.

Maximum fan motor amps: 1.25 and Maximum light watts: 300 incandescent only.

#### B. Installing receiver in fan:

- a. Remove ceiling fan canopy from the mounting bracket.
- b. Disconnect existing wiring between ceiling fan and supply at electrical junction box.
- c. Lay the black antenna wire on top of the receiver, and slide the receiver in the mounting bracket.
- d. Make wiring connections as follows, using the wire nuts supplied; (Figure 3).
- e. Push all connected wires up into junction box.
- f. Reinstall the canopy on the mounting bracket.
- g. Restore electrical power.



#### CONNECT

**TO**

GREEN fan wire.....	Bare supply wire
BLACK receiver wire (AC IN L).....	BLACK supply wire
WHITE receiver wire (AC IN N).....	WHITE supply wire
WHITE receiver wire (TO MOTOR N)....	WHITE fan wire
BLACK receiver wire (TO MOTOR L)....	BLACK fan wire
BLUE receiver wire (FOR LIGHT).....	BLUE light wire

**If other fan or supply wires are different color, have this unit installed by a qualified electrician.**

Fig. 3

### 3. OPERATING TRANSMITTER:

- A. Install 9 volt battery (not included). To prevent damage to transmitter, remove the battery if not used for long periods.
- B. Store the transmitter away from excess heat or humidity.
- C. This remote control unit is equipped with 16 code combinations to prevent possible interference from or to other remote units such as garage door openers, car alarm or security system. If you find that your fan and light kit go on and off without using your remote control, simply change the combination code in your transmitter and receiver.
- D. Operation buttons on the panel of the transmitter.
  - HI key for fan high speed.
  - MED key for fan medium speed.
  - LOW key for fan low speed.
  - OFF key for fan speed off.
  - Light key for light brightness and off.

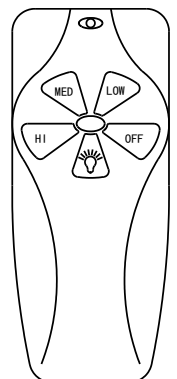
The light function is controlled by pressing the Light key. Hold key down to increase or decrease light. Tap key quickly to turn light off or on. If you press the button in excess of 0.7 second it becomes a dimmer. The light varies cyclically in 0.8 second. The light key has auto resume, so will stay at the same brightness as the last time it was turned off.

**YOUR REMOTE NOW HAS FULL CONTROL OF THE FAN AND LIGHT.**

### 4. TROUBLESHOOTING GUIDE.

1. Fails to operate:
  - a. Power to the receiver?
  - b. Receiver wired correctly?
  - c. Fan manual speed control in highest position?
  - d. Light kit switch turned on?
  - e. Good battery in the transmitter?
  - f. Code set at exact same position in both transmitter and receiver?
2. Won't operate at distance:
 

If transmitter operate fan and light kit when up close, but not at 40 feet away, try placing the black antenna wire higher; up through ceiling, outside the junction box.



## **FCC Warning**

This device complies with Part 15 of the FCC Rules. Operation is subject to the following two conditions:

(1) This device may not cause harmful interference, and (2) this device must accept any interference received, including interference that may cause undesired operation.

NOTE 1: This equipment has been tested and found to comply with the limits for a Class B digital device, pursuant to part 15 of the FCC Rules. These limits are designed to provide reasonable protection against harmful interference in a residential installation. This equipment generates uses and can radiate radio frequency energy and, if not installed and used in accordance with the instructions, may cause harmful interference to radio communications. However, there is no guarantee that interference will not occur in a particular installation. If this equipment does cause harmful interference to radio or television reception, which can be determined by turning the equipment off and on, the user is encouraged to try to correct the interference by one or more of the following measures:

- Reorient or relocate the receiving antenna.
- Increase the separation between the equipment and receiver.
- Connect the equipment into an outlet on a circuit different from that to which the receiver is connected.
- Consult the dealer or an experienced radio/TV technician for help.

NOTE 2: Any changes or modifications to this unit not expressly approved by the party responsible for compliance could void the user's authority to operate the equipment.