

# CEILING FAN REMOTE CONTROLLER OPERATION AND INSTALLATION INSTRUCTIONS

(Please keep this instruction pamphlet.)

## IMPORTANT

YOU MUST SET CEILING FAN MANUAL SWITCH TO HIGH SPEED AND LIGHT KIT (IF ANY) TO ON POSITION BEFORE OPERATING REMOTE CONTROL.

## IMPORTANT POINTS TO REMEMBER:

1. Read and save these instructions.
2. Please note that all fixed wiring appliances should be installed by a qualified electrician.
3. The supply to the remote control receiver should be connected through a mains switch, i.e. existing wall switch.
4. Disconnect from power supply at wall switch before working on remote control receiver or ceiling fan.
5. Install receiver into the ceiling fan canopy of the fan to ensure proper protection.
6. This unit is to be used for the control of ceiling fan and in a AC110/120V 60Hz power supply only.
7. Do not install in damp locations or immerse in water. (For indoor use only.)
8. Do not pull on or cut leads shorter.
9. Do not drop or bump the unit.
10. PLEASE NOTE: The battery will weaken with age and should be replaced before leaking takes place as this will damage the transmitter. Dispose of used battery properly, keep the battery out of reach of children.
11. CAUTION: To reduce the risk of fire or injury, do not use this product in conjunction with any variable (rheostat) wall control.

## INSTALLATION INSTRUCTIONS

CAUTION: INCORRECT WIRE CONNECTION WOULD DAMAGE THIS RECEIVER.

1. Ceiling fan must be set at HIGH speed and light kit (If any) at ON position by pressing the "Light Switch" after installation.
2. Once the connection has been made, the receiver inserts into the drop rod hanging bracket. The canopy comes up to cover the receiver and bracket.
3. For better remote performance with WiFi system, let T-shape antenna stuck on ceiling and outside of the steel canopy. (Fig. 1)

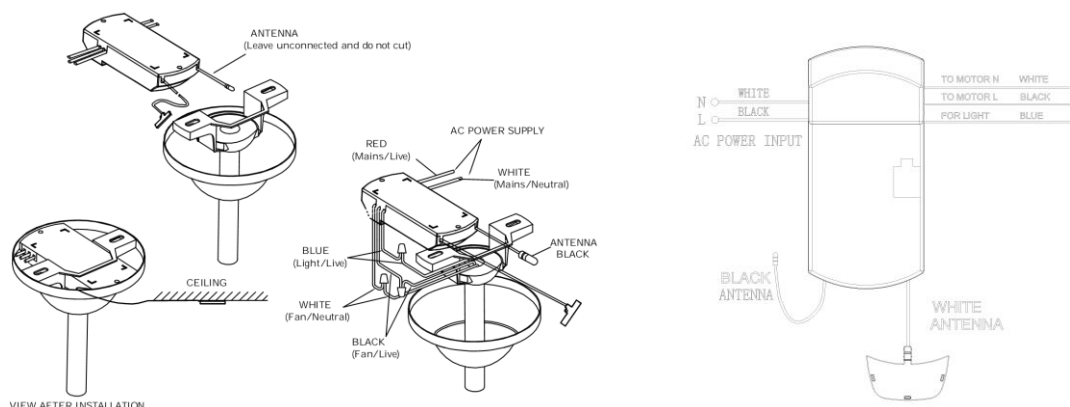


Fig. 1

## CHANNEL SETTING STEPS:

1. Make sure power to the fan is off. Open the remote battery cover and install 2pcs DC1.5V,AAA batteries. (Fig. 2).
2. Change the dip switch from 0 to 1 (Fig. 2).
3. Turn on power to the fan, and within 30 seconds press and hold the “Learn” button for 5 seconds to allow the handset and receiver to pair. Fan will turn on at low speed and light (if installed) will turn off. This confirms that the setting is active and ok.

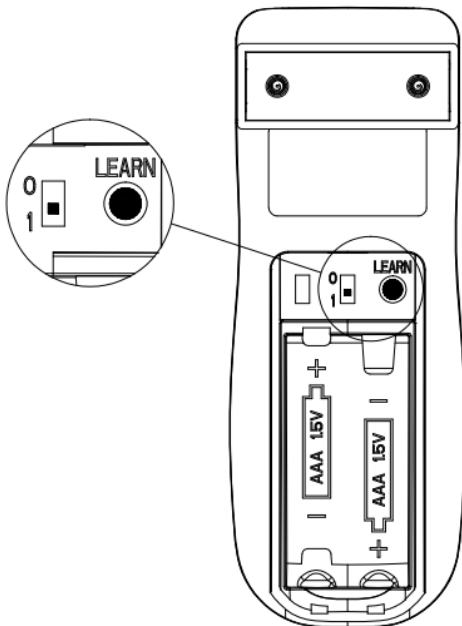


Fig. 2

## DIP SWITCH – 0 & 1


0: All handsets and receivers are factory pre-set to the same channel. You can operate the fan without doing a channel setting above but we recommend that you set an individual channel for your fan.

1: This is to allow for each handset and receiver to be set on an individual channel.

## FUNCTIONS OF TRANSMITTER



The power button will turn the fan and light power on or off when press this button within 3 seconds. When you hold the power button over 3 seconds, the “walk away time delay” function is activated. When press the button each

time, the 3pcs LEDs  will on. If you want to cancel “walk away time delay” function, you could press any button of transmitter. If dip switch to ON, then light kit will blink once, turn off in 30 seconds. If dip switch to DIM, then light kit will dim to 50%, turn off in 30 seconds.



1<sup>st</sup> time press the button, third LED are on and turn fan on high speed

2<sup>nd</sup> time press the button, second LED are on and turn fan on medium speed

3<sup>rd</sup> time press the button, first LEDs is on and turn fan on low speed

4<sup>th</sup> time press the button, and turn fan on high speed, cycling so forth



Press the button, LEDs will on about 3 seconds, for set fan speed being turned and changed at random. If


you want to cancel this function, press




fan button or  power button.

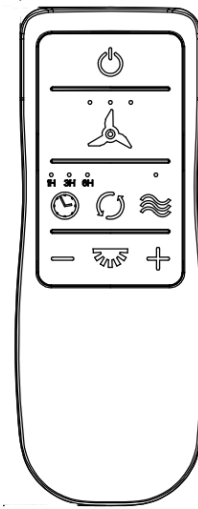
When fan is on, press this button for set fan turn off automatically after 1 hours, 3 hours, 6 hours or off directly. The LED for each timer is on about 3 seconds as pressing the button for selection. If you want to cancel this

function, press  fan button or  power button or timer off.

 ON/OFF- Press and release immediately to turn on or off the light

DIMMER- Press and hold on to dimmer  or brighten  the light.

 The reverse button will turn the fan to switch set fan direction downward and upward



## To assure continued FCC compliance:

### FEDERAL COMMUNICATIONS COMMISSION INTERFERENCE STATEMENT

This equipment has been tested and found to comply with the limits for a Class B digital device, pursuant to Part 15 of the FCC Rules. These limits are designed to provide reasonable protection against harmful interference in a residential installation. This equipment generates, uses and can radiate radio frequency energy and, if not installed and used in accordance with the instructions, may cause harmful interference to radio communications. However, there is no guarantee that interference will not occur in a particular installation. If this equipment does cause harmful interference to radio or television reception, which can be determined by turning the equipment off and on, the user is encouraged to try to correct the interference by one or more of the following measures:

--Reorient or relocate the receiving antenna. --Increase the separation between the equipment and receiver.  
--Connect the equipment into an outlet on a circuit different from that to which the receiver is connected. --Consult the dealer or an experienced radio/TV technician for help.

#### CAUTION:

Any changes or modifications not expressly approved by the grantee of this device could void the user's authority to operate the equipment.

**FCC ID : 2AQZU-18008**

**IC:25524-TR316B**

This device complies with Part 15 of the FCC Rules. Operation is subject to the following two conditions: (1) This device may not cause harmful interference, and (2) this device must accept any interference received, including interference that may cause undesired operation.

## IC WARNING

This device contains licence-exempt transmitter(s) that comply with Innovation, Science and Economic Development Canada's licence-exempt RSS(s). Operation is subject to the following two conditions:

- (1) This device may not cause interference.
- (2) This device must accept any interference, including interference that may cause undesired operation of the device.

L'émetteur/récepteur exempt de licence contenu dans le présent appareil est conforme aux CNR d'Innovation, Sciences et Développement économique Canada applicables aux appareils radio exempts de licence. L'exploitation est autorisée aux deux conditions suivantes:

1. L'appareil ne doit pas produire de brouillage;
2. L'appareil doit accepter tout brouillage radioélectrique subi, même si le brouillage est susceptible d'en compromettre le fonctionnement.