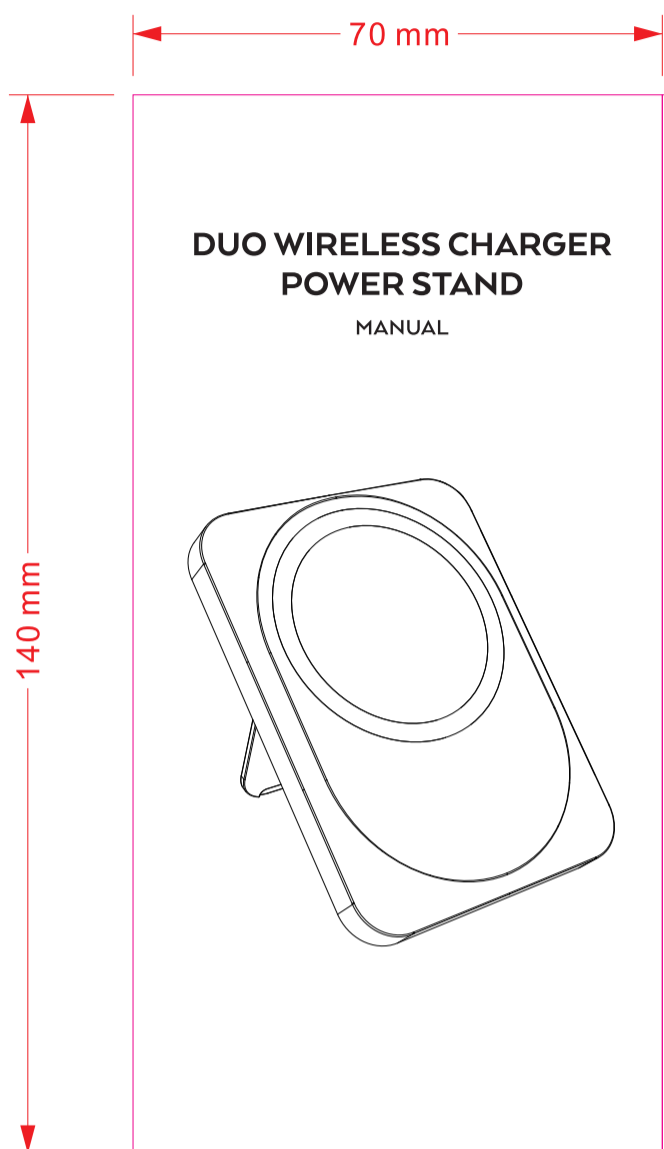
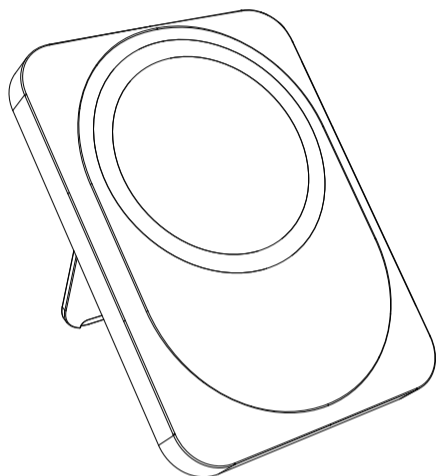


正面



DUO WIRELESS CHARGER POWER STAND MANUAL



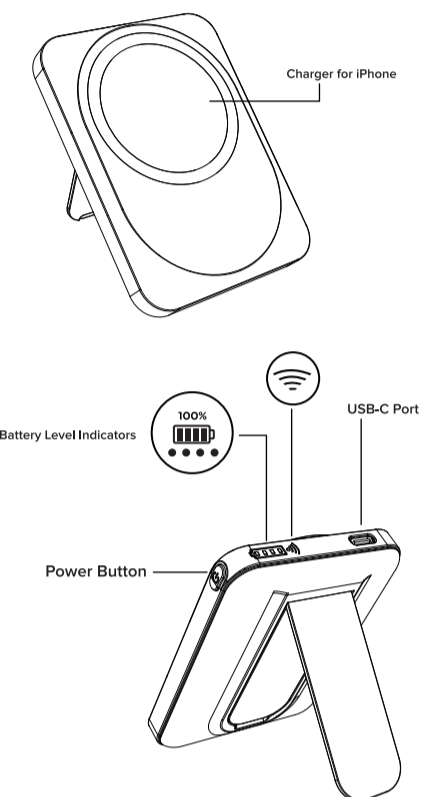
IMPORTANT

注意

- Before using your Power Bank for the first time, fully charge it.
• 首次使用移动电源前，请将其充满电。
- To preserve lifespan, use and recharge your battery at least once every 4 months.
• 为了延长使用寿命，请每4个月至少使用一次电池并为其充电。
- Do not place any metallic objects onto the charger.
• 请勿在充电器上放置任何金属物品。
- Keep your battery dry and away from moisture and corrosive materials.
• 保持電池乾燥並遠離濕氣和腐蝕性材料。

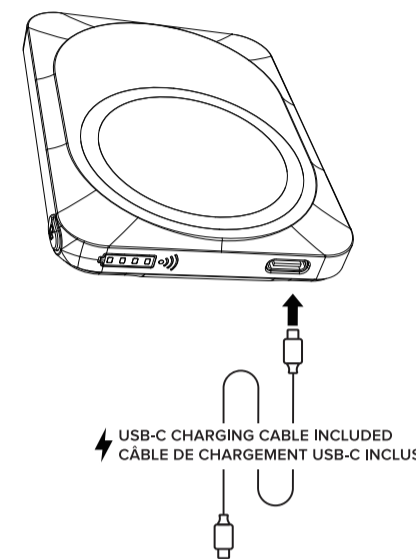
FUNCTIONS

功能



CHARGING YOUR POWER BANK

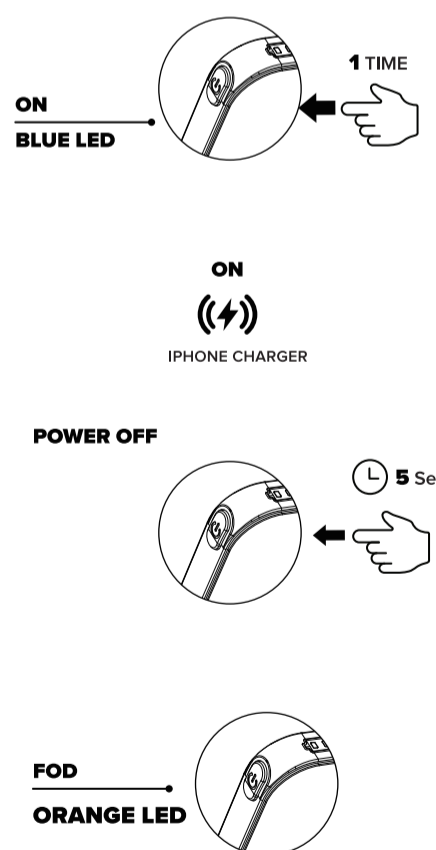
为您的设备充电



背面

TURN ON / OFF WIRELESS CHARGERS

打开/关闭无线充电器



SPECIFICATION

产品规格

- Battery Capacity: 3940mAh, 3.85V/15.1Wh
- Type-C Input: 5V=2A / 9V=1.1A
- Type-C Output: 5V=2A
- Wireless Output Power: 5W/7.5W
- Total Output: 10.5W Max

尺寸: 64x87x15mm

FCC Warning

This device complies with part 15 of the FCC Rules. Operation is subject to the following two conditions:
(1) This device may not cause harmful interference, and (2) this device must accept any interference received, including interference that may cause undesired operation.
Any Changes or modifications not expressly approved by the party responsible for compliance could void the user's authority to operate the equipment.
Note: This equipment has been tested and found to comply with the limits for a Class B digital device, pursuant to part 15 of the FCC Rules. These limits are designed to provide reasonable protection against harmful interference in a residential installation. This equipment generates uses and can radiate radio frequency energy and, if not installed and used in accordance with the instructions, may cause harmful interference to radio or television reception, which can be determined by turning the equipment off and on, the user is encouraged to try to correct the interference by one or more of the following measures:
-Reorient or relocate the receiving antenna.
-Increase the separation between the equipment and receiver.
-Connect the equipment into an outlet on a circuit different from that to which the receiver is connected.
-Consult the dealer or an experienced radio/TV technician for help.
The device has been evaluated to meet general RF exposure requirement. The device can be used in portable exposure condition without restriction.

IC Warning

This device complies with Industry Canada's licence-exempt RSS standard(s). Operation is subject to the following two conditions:
(1) this device may not cause interference, and (2) this device must accept any interference, including interference that may cause undesired operation of the device.
Le présent appareil est conforme aux CNR d'Industrie Canada applicables aux appareils radio exempts de licence. L'exploitation est autorisée aux deux conditions suivantes:
(1) l'appareil n' doit pas produire de brouillage, et (2) l'utilisateur de l'appareil doit accepter tout brouillage radioélectrique subi, même si le brouillage est susceptible d'en compromettre le fonctionnement.
This Class B digital apparatus complies with Canadian ICES-003.
Cet appareil numérique de la classe B est conforme à la norme NMB-003 du Canada.
IC RF Statement:
The device has been evaluated to meet general RF exposure requirement.
The device can be used in portable exposure condition without restriction.

Customer

Model NO

D482E

Rev

V1.0

Designed

YOYO

Approved

Date

2023-9-27