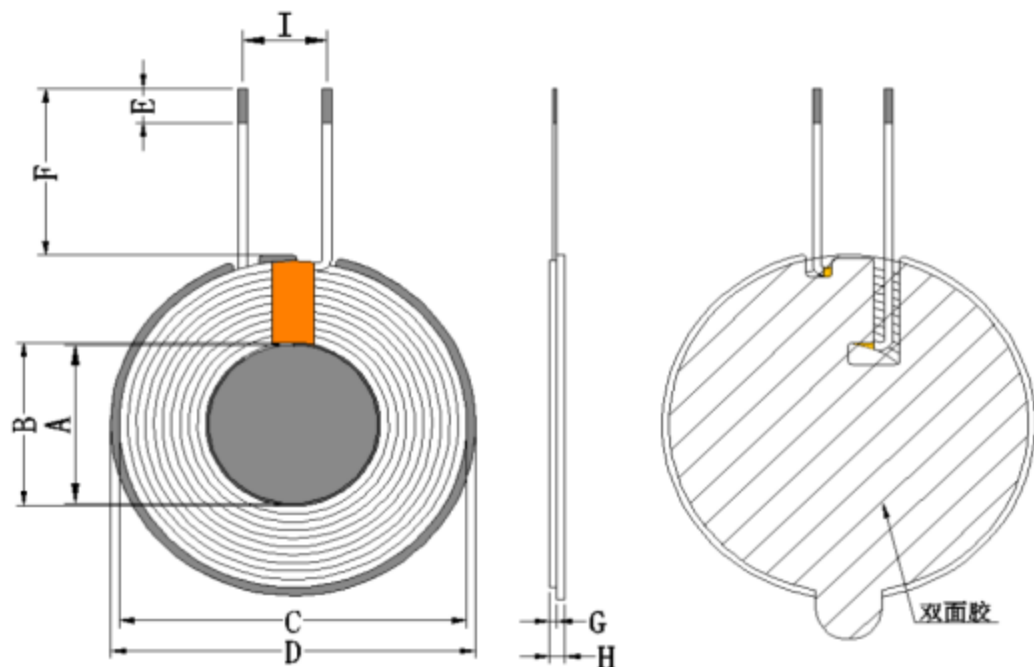


15W mobile phone charging coil product specification

brand		Coil type	All	Material type		versions	01
--------------	--	-----------	-----	---------------	--	-----------------	----

◆、outline drawing



(unit:mm)

A	20±0.5
B	20.5±0.5
C	40±1
D	43+0/-1
E	3±1
F	25±1
G	0.8±0.05
H	2.2MAX
I	5±2

remark

- (1)Wire Dia: 0.08*80P Stranded wire
- (2)Turns:10Ts
- (3)Wdg. TypeSpred/Close: (Close)
- (4)IntersectYes/Not:Yes
- (5)Coil Positive/Anti Paste:Anti-/Paste
- (6)Wdg.Direction: Anticlockwise

◆、electrical specification:

parameter	Spec	TEST FREQUENCY	TEST EQUIPMENTS
L(W1)	6.5± 10%	100KHz/1V	<ul style="list-style-type: none"> ■TH2816B ■CH-502BC ■TH1816B
DCR(W1)	<200	@ 25°C	
Q	>20	100KHz/1V	

◆、temperature grade:

operating temperature	-40°C~ 125°C
-----------------------	--------------

bill of materials

NO	Material name	Material Code	Vendor code	Description
1	wire rod	JX-2U-F-0025	ZY	0.08*80P Stranded wire
2	ferrite	GCP-T-00189	KL	G43 (+0-1) *5.3*0.8±0.1H (with hole, with double slot L slot)
3	3M double-sided tape	SMJ-T-0064	WY	40*0.08H (no hole, top right slotted with hand tear)
4	insulating tape	High-temperature adhesive paper 5MM	JRM	5mm
5	Glue	E7202W	HZY	JS-E7202(thickened) white glue
6	tin bar	Lead-free high temperature tin strip	XC	Environmentally friendly lead-free solder bar
7	minicycle	GCP-T-0080	HBC	round20*0.8H
8	Small double-sided tape	SMJ-T-0056	WY	15*0.08H (with hand tear)