

Product Specifications sheet



ROHS

Specification No.	2022011030001
Effective date	2022/11/30

Customer Name:	Gopod
Product Model	Coil
DZ Part No.	TX-DZ43.505.3008-12T-K6.5-L15 slotting
Customer item No	

【新版发行, 版本修订】 【本规范含目录共 7 页】 【RoHS Compliant Parts】

organize	Check	Approval
钟建立	/	马湘平

东莞市顶智电子科技有限公司

Dongguan Top Wiser Electronic Technology Co., Ltd

**Factory address: 7th floor, east of building , xinbosheng Industrial Park,
No. 5, Xinyuan South Road, Tangxia Town, Dongguan City**

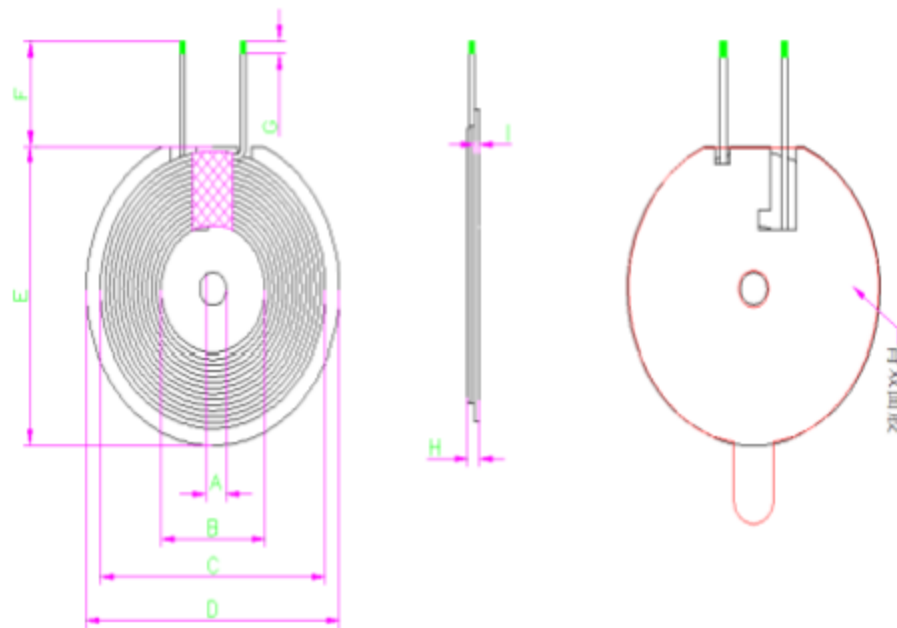
Tel: 13147097490

【Within 30 days after the customer receives this acknowledgement, please return it with your signature and seal. If it is overdue, it will be deemed that the production will be carried out according to the standards of this acknowledgement】.

Product Specifications sheet

Customer Name:	高普达/Gopod	Customer item No		
DZ Part No	TX-DZ43.505.3008-12T-K6.5-L15 slotting	Specification No	2022011030001	Version 01

◆、外形尺寸



(单位: mm)

A	5.3 ±1.5
B	13.0 ±1.5
C	38.0 ±1.5
D	43.5 ±1.0
E	42.8 ±1.5
F	15.0 ±2.0
G	2.0 ±1.5
H	2.6 ±0.3
I	0.80 ±0.2(磁片厚度)

- (1)Wire diameter: 0.08 * 105p Silk covered
- (2)Number of windings: 12TS
- (3)Whether the starting and ending lines
- (4)Coil wrap 4mm wide high temperature
- (5)The coil and magnetic sheet shall be
- (6) Magnetic disc back 43 round slot

◆、Electrical characteristics..

parameter	specification	Test conditions	Test instrument
L0	6.5 ±10% μH	100KHz/1V	■TH1816B
Q	>40 min	100KHz/1V	■TH1816B
DCR	<85 mΩ	@ 25°C	■CH-502BC

◆、Temperature class:

操作温度 -40°C~ 125°C

◆、材料清单: BILL OF MATERIALS

序号 NO	品名 ITEM	材料规格 TYPE	供应商 SUPPLIERS	标准 UL
1	磁片/DISK	43.5*5.3*0.8T开双槽 PC40材质	东莞市鑫宇轩电子科技有限公司 DONGGUAN XINGYUYI ELECTROMIC TECHNOLOGY CO.,LTD	/
2	丝包线/SILK COVERED	0.08*105P 155/F级	湖北首通电磁线科技股份有限公司 HUBEI SHOUTONG ELECTROMAGNETIC WIRE TECHNOLOGY CO.,LTD	E362846
3	胶带/TAPE	4MM 材质CT285	靖江亚华亚敏胶有限公司 JINGJIANG YAHUA PRESSURE SENSITIVEGLUE CO.,LTD	E165111
4	锡条/ ARTICLE TIN	Sn99.3/Cu0.7	东莞市千岛金属锡品有限公司 DONGGUAN CITY THOUSAND ISLAND METAL FOIL CO,LTD	SGS
5	胶水/GLUE	黄胶/906-5L 200°C	东莞市溢恒电子科技有限公司 DONGGUAN CITY YI HUAN ELECTRONIC TECHNOLOGY CO.LTD	/
6	双面胶/DOUBLE SIDED TAPE	43圆开槽3M胶/材质3M9448A	3M中国有限公司 3M CHINA CO LTD	E256906

organize

check

approval

钟建立

/

马湘平