

90mm

140mm

FCC STATEMENT :

This device complies with Part 15 of the FCC Rules. Operation is subject to the following two conditions:

This device may not cause harmful interference, and
This device must accept any interference received, including interference that may cause undesired operation.

Warning: Changes or modifications not expressly approved by the party responsible for compliance could void the user's authority to operate the equipment.

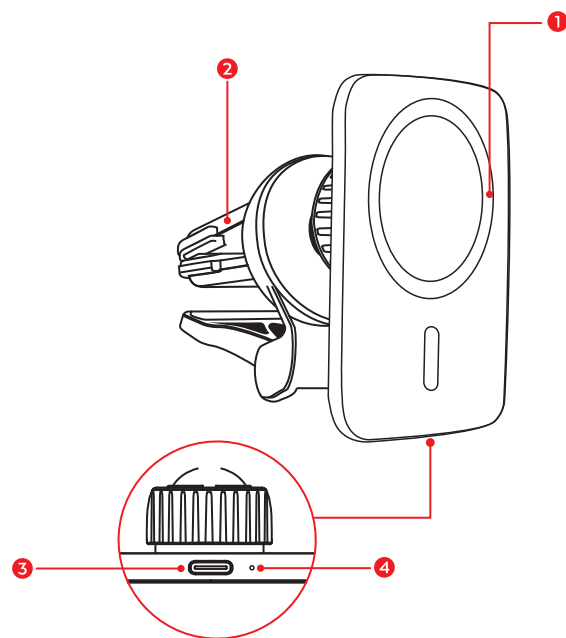
NOTE: This equipment has been tested and found to comply with the limits for a Class B digital device, pursuant to Part 15 of the FCC Rules. These limits are designed to provide reasonable protection against harmful interference in a residential installation. This equipment generates uses and can radiate radio frequency energy and, if not installed and used in accordance with the instructions, may cause harmful interference to radio communications. However, there is no guarantee that interference will not occur in a particular installation. If this equipment does cause harmful interference to radio or television reception, which can be determined by turning the equipment off and on, the user is encouraged to try to correct the interference by one or more of the following measures:

- Reorient or relocate the receiving antenna.
- Increase the separation between the equipment and receiver.
- Connect the equipment into an outlet on a circuit different from that to which the receiver is connected.
- Consult the dealer or an experienced radio/TV technician for help.

FCC Radiation Exposure Statement:

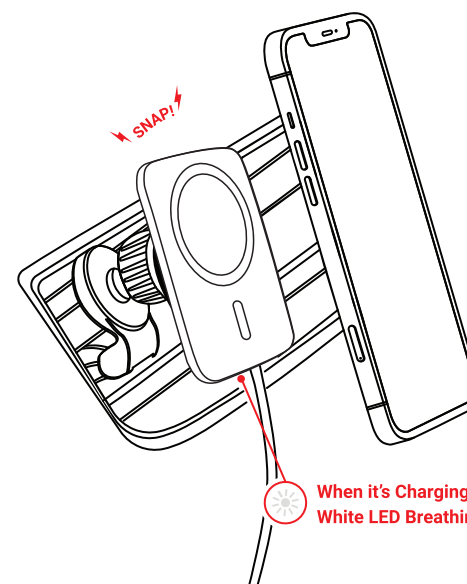
This equipment complies with FCC radiation exposure limits set forth for an uncontrolled environment. This equipment should be installed and operated with minimum distance 20cm between the radiator & your body.

FUNCTIONS | 功能



- 1.Magnetic Wireless Charger (Max.7.5W)
磁力充电器(最大7.5W)
iPhones will only charge at 7.5W | iPhone 只能以7.5W 充电
- 2.Air Vent Mount | 通风口安装座
- 3.USB-C Connector | USB-C 接口
- 4.LED Indicator | LED 指示灯

CHARGING YOUR DEVICES | 为您的设备充电



USB-C TO USB-C CHARGING CABLE INCLUDED, ADAPTER REQUIRED
CÂBLE DE CHARGE USB-C VERS USB-C INCLUS, ADAPTATEUR REQUIS

Emobi®
Magnetic Wireless Car Charger
User Manual
用户手册



Customer		Model NO	D481E2	Rev	V1.0
Designed	Peter	Approved		Date	2022-11-16