



RADIO TEST REPORT

Report No.: STS2105093W04

Issued for

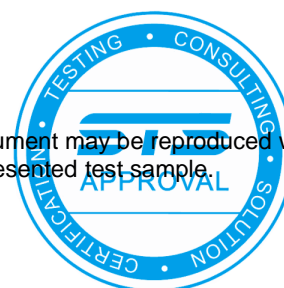
Shadow Creator Information Technology Co., Ltd.

1068 Zhouhai Road, Gaohang Town, Pudong New Area, Shanghai, China

Product Name:	JIMO
Brand Name:	N/A
Model Name:	A95 pro
Series Model:	N/A
FCC ID:	2AQYU-A95PRO
Test Standard:	FCC Part 15.407

Any reproduction of this document must be done in full. No single part of this document may be reproduced without permission from STS, all test data presented in this report is only applicable to presented test sample.

Shenzhen STS Test Services Co., Ltd.
A 1/F, Building B, Zhuoke Science Park, No.190 Chongqing Road, HepingShequ,
Fuyong Sub-District, Bao'an District, Shenzhen, Guang Dong, China
TEL: +86-755 3688 6288 FAX: +86-755 3688 6277 E-mail: sts@stsapp.com





TEST RESULT CERTIFICATION

Applicant's Name..... : Shadow Creator Information Technology Co.,Ltd.
 Address : 1068 Zhouhai Road,Gaohang Town,Pudong New Area,Shanghai,China
Manufacturer's Name : Shadow Creator Information Technology Co.,Ltd.
 Address : 1068 Zhouhai Road,Gaohang Town,Pudong New Area,Shanghai,China

Product Description

Product Name..... : JIMO
 Brand Name : N/A
 Model Name : A95 pro
 Series Model..... : N/A


Test Standards..... : FCC Part15.407

Test Procedure..... ANSI C63.10-2013

This device described above has been tested by STS, the test results show that the equipment under test (EUT) is in compliance with the FCC requirements. And it is applicable only to the tested sample identified in the report.

This report shall not be reproduced except in full, without the written approval of STS, this document only be altered or revised by STS, personal only, and shall be noted in the revision of the document.

Date of Test..... :
 Date of receipt of test item : 20 May 2021
 Date (s) of performance of tests..... : 20 May 2021 ~ 01 June 2021
 Date of Issue..... : 01 June 2021
 Test Result..... : **Pass**

Testing Engineer : 

 (Chris Chen)

Technical Manager : 

 (Sean she)

Authorized Signatory : 

 (Vita Li)





Table of Contents	Page
1 . SUMMARY OF TEST RESULTS	6
1.1 TEST FACTORY	7
1.2 MEASUREMENT UNCERTAINTY	7
2 . GENERAL INFORMATION	8
2.1 GENERAL DESCRIPTION OF THE EUT	8
2.2 DESCRIPTION OF TEST MODES	10
2.3 TEST SOFTWARE AND POWER LEVEL	10
2.4 BLOCK DIAGRAM SHOWING THE CONFIGURATION OF SYSTEM TESTED	11
2.5 DESCRIPTION OF NECESSARY ACCESSORIES AND SUPPORT UNITS	12
2.6 EQUIPMENTS LIST FOR ALL TEST ITEMS	13
3 . EMC EMISSION TEST	14
3.1 CONDUCTED EMISSION MEASUREMENT	14
3.2 RADIATED EMISSION AND (BANDEDGE) MEASUREMENT	18
4. POWER SPECTRAL DENSITY TEST	37
4.1 LIMIT	37
4.2 TEST PROCEDURE	37
4.3 DEVIATION FROM STANDARD	38
4.4 TEST SETUP	38
4.5 EUT OPERATION CONDITIONS	38
4.6 TEST RESULTS	38
5. BANDWIDTH MEASUREMENT	39
5.1 EMISSION BANDWIDTH (EBW) 26 BANDWID PROCEDURES / LIMIT	39
5.2 OCCUPIED BANDWIDTH (99%) TEST APPLIED PROCEDURES / LIMIT	41
5.3 MINIMUM EMISSION BANDWIDTH(6 DB) PROCEDURES / LIMIT	43
6. MAXIMUM CONDUCTED OUTPUT POWER	45
6.1 LIMIT	45
6.2 TEST PROCEDURE	45
6.3 DEVIATION FROM STANDARD	45
6.4 TEST SETUP	45
6.5 EUT OPERATION CONDITIONS	45
6.6 TEST RESULTS	46
7. AUTOMATICALLY DISCONTINUE TRANSMISSION	49
7.1 LIMIT OF AUTOMATICALLY DISCONTINUE TRANSMISSION	49
7.2 TEST RESULT OF AUTOMATICALLY DISCONTINUE TRANSMISSION	49



Table of Contents	Page
8. ANTENNA REQUIREMENT	50
8.1 STANDARD REQUIREMENT	50
8.2 EUT ANTENNA	50
APPENDIX - PHOTOS OF TEST SETUP	51





Revision History

Rev.	Issue Date	Report NO.	Effect Page	Contents
00	01 June 2021	STS2105093W04	ALL	Initial Issue





1. SUMMARY OF TEST RESULTS

Test procedures according to the technical standards:

§ 15.407, KDB 789033 D02 General U-NII Test Procedures New Rules v02r01.

FCC Part 15.407		
FCC standard	Test Item	Results
15.207	AC Conducted Emission	PASS
15.407 (a) /15.407 (e)	26dB/6dB &99% Bandwidth	PASS
15.407(a)	Maximum Conducted Output Power	PASS
15.407(b)/15.205/15.209	Radiated Emission And (bandedge Emissions) Measurement	PASS
15.407(a)	Power Spectral Density	PASS
15.407(c)	Automatically Discontinue Transmission	PASS
15.203	Antenna Requirement	PASS

NOTE:

(1) 'N/A' denotes test is not applicable in this Test Report.

(2) All tests are according to ANSI C63.10-2013.



1.1 TEST FACTORY

SHENZHEN STS TEST SERVICES CO., LTD

Add. : A 1/F, Building B, Zhuoke Science Park, No.190 Chongqing Road, HepingShequ, Fuyong Sub-District, Bao'an District, Shenzhen, Guang Dong, China

FCC test Firm Registration Number: 625569

IC test Firm Registration Number: 12108A

A2LA Certificate No.: 4338.01

1.2 MEASUREMENT UNCERTAINTY

The reported uncertainty of measurement $y \pm U$, where expanded uncertainty U is based on a standard uncertainty multiplied by a coverage factor of $k=2$, providing a level of confidence of approximately **95 %**.

No.	Item	Uncertainty
1	RF output power, conducted	$\pm 0.68\text{dB}$
2	Unwanted Emissions, conducted	$\pm 2.988\text{dB}$
3	All emissions, radiated 9K-30MHz	$\pm 2.84\text{dB}$
4	All emissions, radiated 30M-1GHz	$\pm 4.39\text{dB}$
5	All emissions, radiated 1G-6GHz	$\pm 5.10\text{dB}$
6	All emissions, radiated >6G	$\pm 5.48\text{dB}$
7	Conducted Emission (9KHz-150KHz)	$\pm 2.79\text{dB}$
8	Conducted Emission (150KHz-30MHz)	$\pm 2.80\text{dB}$



2. GENERAL INFORMATION

2.1 GENERAL DESCRIPTION OF THE EUT

Product Name	JIMO	
Trade Name	N/A	
Model Name	A95 pro	
Series Model	N/A	
Model Difference	N/A	
Product Description	The EUT is a JIMO	
	Operation Frequency:	IEEE 802.11a/ n(HT20)/ac(VHT20): 5.745GHz-5.825GHz IEEE 802.11n(HT40)/ac(VHT40): 5.755GHz-5.795GHz IEEE 802.11ac(VHT80): 5.775GHz
	Modulation Type:	802.11a(OFDM): BPSK,QPSK,16-QAM,64-QAM 802.11n(OFDM): BPSK,QPSK,16-QAM,64-QAM 802.11ac(OFDM): BPSK,QPSK,16-QAM,64-QAM,256-QAM
	Antenna Designation:	Please refer to the Note 3.
	Max.Output Power(Conducted):	9.48 dBm
More details of EUT technical specification, please refer to the User's Manual.		
Test Channel	Please refer to the Note 2.	
Adapter	Input: 100-240VAC, 50/60Hz, 0.35A Output: DC5V-2A	
Battery	Rated Voltage:3.6V Charge Limit Voltage:4.2V Capacity: 1000mAh	
Hardware version number	SC-A95-MB-V2.0	
Software version number	SW_A95_YC_Q50_UD2.2_V2.6.4_210318	
Connecting I/O Port(s)	Please refer to the Note 1.	

Note:

1. For a more detailed features description, please refer to the manufacturer's specifications or the User Manual.



2.

Operation Frequency of channel	
5.745GHz-5.825GHz	
Channel	Frequency
149	5745
151	5755
153	5765
157	5785
159	5795
161	5805
165	5825

Note:

In section 15.31(m), regards to the operating frequency range over 10 MHz, the Lowest frequency, the middle frequency, and the highest frequency of channel were selected to perform the test, and the selected channel see below:

Carrier Frequency Channel

5GHz:

For 802.11a/n(HT20) /ac (VHT20)	
Channel	Freq.(MHz)
149	5745
157	5785
165	5825

For 802.11n(HT40) /ac (VHT40)	
Channel	Freq.(MHz)
151	5755
159	5795

For 802.11ac (VHT80)	
Channel	Freq.(MHz)
155	5775

3.

Ant	Brand	Model Name	Ant Type	Connector	Gain (dBi)	NOTE
A	N/A	A95 pro	PIFA	N/A	-2.84dBi	WLAN Ant.

Note: The antenna information refer the manufacturer provide report, applicable only to the tested sample identified in the report.



2.2 DESCRIPTION OF TEST MODES

To investigate the maximum EMI emission characteristics generates from EUT, the test system was pre-scanning tested base on the consideration of following EUT operation mode or test configuration mode which possible have effect on EMI emission level. Each of these EUT operation mode(s) or test configuration mode(s) mentioned above was evaluated respectively.

Worst Mode	Description	Data Rate
Mode 1	TX IEEE 802.11a HT20 CH149&CH157&CH165	6 Mbps
Mode 2	TX IEEE 802.11n HT20 CH149&CH157&CH165	MCS 0
Mode 3	TX IEEE 802.11ac VHT20 CH149&CH157&CH165	NSS1 MCS0
Mode 4	TX IEEE 802.11n HT40 CH151&CH159	MCS 0
Mode 5	TX IEEE 802.11ac VHT40 CH151&CH159	NSS1 MCS0
Mode 6	TX IEEE 802.11ac VHT80 CH155	NSS1 MCS0

- Note: (1) The measurements are performed at the highest, middle, lowest available channels.
 (2) The measurements are performed at all Bit Rate of Transmitter, the worst data was reported.
 (3) We have be tested for all avaiable U.S. voltage and frequencies(For 120V,50/60Hz and 240V, 50/60Hz) for which the device is capable of operation.
 (4) The battery is fully-charged during the radited and RF conducted test.

AC Conducted Emission

Test Case	
AC Conducted Emission	Mode 7: Keeping TX + WLAN Link

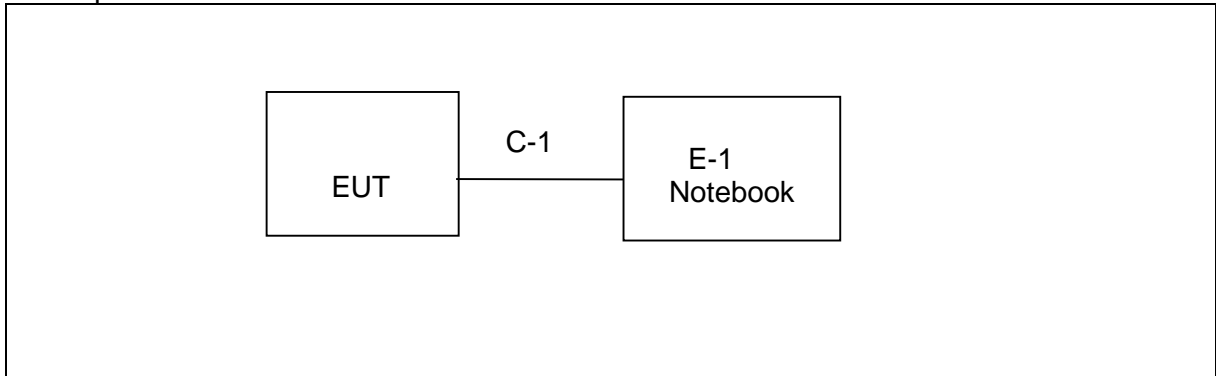
2.3 TEST SOFTWARE AND POWER LEVEL

During testing channel & power controlling software provided by the customer was used to control the operating channel as well as the output power level.

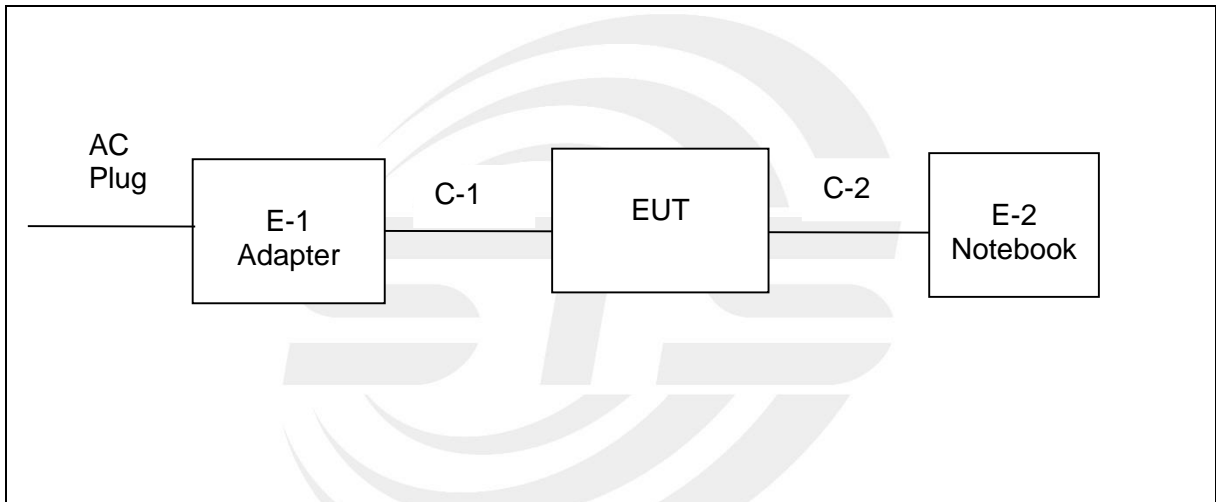
RF Function	Type	Mode Or Modulation type	ANT Gain(dBi)	Power Class	Software For Testing
WIFI(5G)	5G WIFI Band4 (5725MHz-5850MHz)	802.11a	-2.84	10	QRCT-4
		802.11n(HT20)		10	
		802.11n(HT40)		10	
		802.11ac(VHT20)		10	
		802.11ac(VHT40)		10	
		802.11ac(VHT80)		10	

2.4 BLOCK DIAGRAM SHOWING THE CONFIGURATION OF SYSTEM TESTED

Radiated Spurious Emission Test



Conducted Emission Test





2.5 DESCRIPTION OF NECESSARY ACCESSORIES AND SUPPORT UNITS

The EUT has been tested as an independent unit together with other necessary accessories or support units. The following support units or accessories were used to form a representative test configuration during the tests.

Necessary accessories

Item	Equipment	Mfr/Brand	Model/Type No.	Length	Note
E-1	Adapter	N/A	A8A-050200U-CN1	N/A	N/A
C-1	DC Cable	N/A	N/A	100cm	NO

Support units

Item	Equipment	Mfr/Brand	Model/Type No.	Length	Note
E-2	Notebook	LENOVO	ThinkPad E470	N/A	N/A
C-2	USB Cable	N/A	N/A	150cm	N/A

Note:

- (1) For detachable type I/O cable should be specified the length in cm in 『Length』 column.
- (2) “YES” is means “with core”; “NO” is means “without core”.



2.6 EQUIPMENTS LIST FOR ALL TEST ITEMS

Radiation Test equipment

Kind of Equipment	Manufacturer	Type No.	Serial No.	Last calibration	Calibrated until
Test Receiver	R&S	ESCI	101427	2020.10.12	2021.10.11
Signal Analyzer	Agilent	N9020A	MY51110105	2020.10.10	2021.10.09
Active loop Antenna	ZHINAN	ZN30900C	16035	2019.07.11	2021.07.10
Bilog Antenna	TESEQ	CBL6111D	34678	2020.10.12	2022.10.11
Horn Antenna	SCHWARZBECK	BBHA 9120D(1201)	9120D-1343	2019.10.15	2021.10.14
SHF-EHF Horn Antenna (18G-40GHz)	A-INFO	LB-180400-KF	J211020657	2020.10.12	2022.10.11
Pre-Amplifier (0.1M-3GHz)	EM	EM330	060665	2020.10.12	2021.10.11
Pre-Amplifier (1G-18GHz)	SKET	LNPA-01018G-45	SK2018080901	2020.10.12	2021.10.11
Pre-Amplifier (18G-40GHz)	SKET	LNPA-1840-50	SK2018101801	2020.10.10	2021.10.09
Temperature & Humidity	HH660	Mieo	N/A	2020.10.13	2021.10.12
turn table	EM	SC100_1	60531	N/A	N/A
Antenna mast	EM	SC100	N/A	N/A	N/A
Test SW	FARAD	EZ-EMC(Ver.STSLAB-03A1 RE)			

Conduction Test equipment

Kind of Equipment	Manufacturer	Type No.	Serial No.	Last calibration	Calibrated until
Test Receiver	R&S	ESCI	101427	2020.10.12	2021.10.11
LISN	R&S	ENV216	101242	2020.10.12	2021.10.11
LISN	EMCO	3810/2NM	23625	2020.10.12	2021.10.11
Temperature & Humidity	HH660	Mieo	N/A	2020.10.12	2021.10.11
Test SW	FARAD	EZ-EMC(Ver.STSLAB-03A1 CE)			

RF Connected Test

Kind of Equipment	Manufacturer	Type No.	Serial No.	Last calibration	Calibrated until
Power Sensor	Keysight	U2021XA	MY55520005	2020.10.10	2021.10.09
			MY55520006	2020.10.10	2021.10.09
			MY56120038	2020.10.10	2021.10.09
			MY56280002	2020.10.10	2021.10.09
Signal Analyzer	Agilent	N9020A	MY51110105	2021.03.04	2022.03.03
Temperature & Humidity	HH660	Mieo	N/A	2020.10.13	2021.10.12



3. EMC EMISSION TEST

3.1 CONDUCTED EMISSION MEASUREMENT

3.1.1 POWER LINE CONDUCTED EMISSION Limits (Frequency Range 150KHz-30MHz)

FREQUENCY (MHz)	Class B (dBuV)		Standard
	Quasi-peak	Average	
0.15 -0.5	66 - 56 *	56 - 46 *	CISPR
0.50 -5.0	56.00	46.00	CISPR
5.0 -30.0	60.00	50.00	CISPR

0.15 -0.5	66 - 56 *	56 - 46 *	FCC
0.50 -5.0	56.00	46.00	FCC
5.0 -30.0	60.00	50.00	FCC

Note:

- (1) The tighter limit applies at the band edges.
- (2) The limit of “ * ” marked band means the limitation decreases linearly with the logarithm of the frequency in the range.

The following table is the setting of the receiver

Receiver Parameters	Setting
Attenuation	10 dB
Start Frequency	0.15 MHz
Stop Frequency	30 MHz
IF Bandwidth	9 kHz

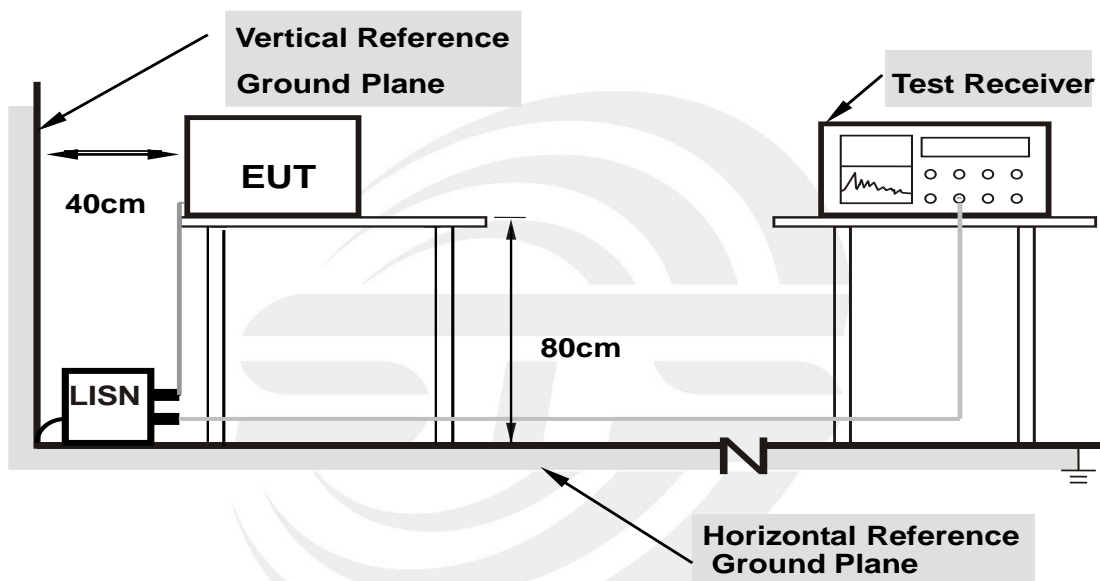
3.1.2 TEST PROCEDURE

- a. The EUT is 0.8 m from the horizontal ground plane and 0.4 m from the vertical ground plane with EUT being connected to the power mains through a line impedance stabilization network (LISN). All other support equipments are powered from additional LISN(s). The LISN provides 50 Ohm/ 50uH of coupling impedance for the measuring instrument.
- b. Interconnecting cables that hang closer than 40 cm to the ground plane shall be folded back and forth in the center forming a bundle 30 to 40 cm long.
- c. I/O cables that are not connected to a peripheral shall be bundled in the center. The end of the cable may be terminated, if required, using the correct terminating impedance. The overall length shall not exceed 1 m.
- d. LISN is at least 80 cm from the nearest part of EUT chassis.
- e. For the actual test configuration, please refer to the related Item –EUT Test Photos.

3.1.3 DEVIATION FROM TEST STANDARD

No deviation

3.1.4 TEST SETUP



- Note: 1. Support units were connected to second LISN.**
2. Both of LISNs (AMN) are 80 cm from EUT and at least 80 cm from other units and other metal planes support units.

3.1.5 EUT OPERATING CONDITIONS

The EUT was configured for testing in a typical fashion (as a customer would normally use it). The EUT has been programmed to continuously transmit during test. This operating condition was tested and used to collect the included data.



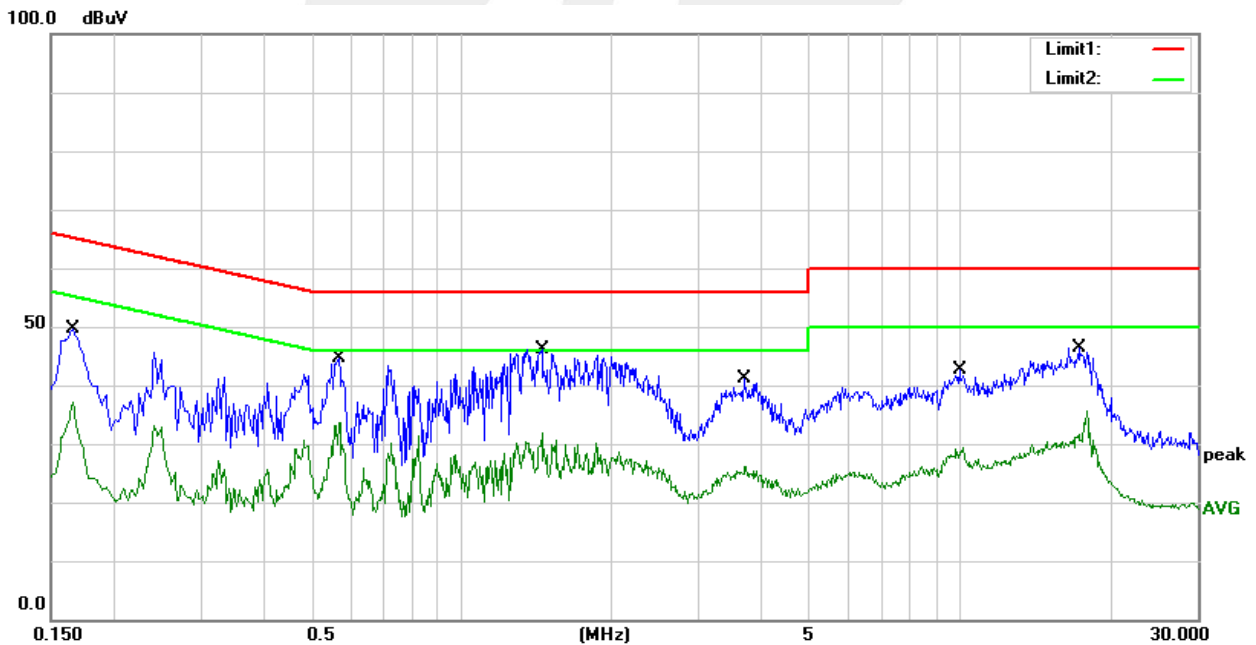
3.1.6 TEST RESULTS

Temperature:	21.8(C)	Relative Humidity:	54%RH
Test Voltage:	AC 120V/60Hz	Phase:	L
Test Mode :	Mode 7		

No.	Frequency (MHz)	Reading (dBuV)	Correct Factor(dB)	Result (dBuV)	Limit (dBuV)	Margin (dB)	Remark
1	0.1660	29.30	20.33	49.63	65.16	-15.53	QP
2	0.1660	16.87	20.33	37.20	55.16	-17.96	AVG
3	0.5700	24.07	20.45	44.52	56.00	-11.48	QP
4	0.5700	13.25	20.45	33.70	46.00	-12.30	AVG
5	1.4540	25.80	20.34	46.14	56.00	-9.86	QP
6	1.4540	11.47	20.34	31.81	46.00	-14.19	AVG
7	3.6980	20.63	20.49	41.12	56.00	-14.88	QP
8	3.6980	5.75	20.49	26.24	46.00	-19.76	AVG
9	10.0180	21.65	20.92	42.57	60.00	-17.43	QP
10	10.0180	8.37	20.92	29.29	50.00	-20.71	AVG
11	17.3500	24.24	22.20	46.44	60.00	-13.56	QP
12	17.3500	9.36	22.20	31.56	50.00	-18.44	AVG

Remark:

1. All readings are Quasi-Peak and Average values
2. Margin = Result (Result =Reading + Factor)–Limit
3. Factor=LISN factor+Cable loss+Limiter (10dB)



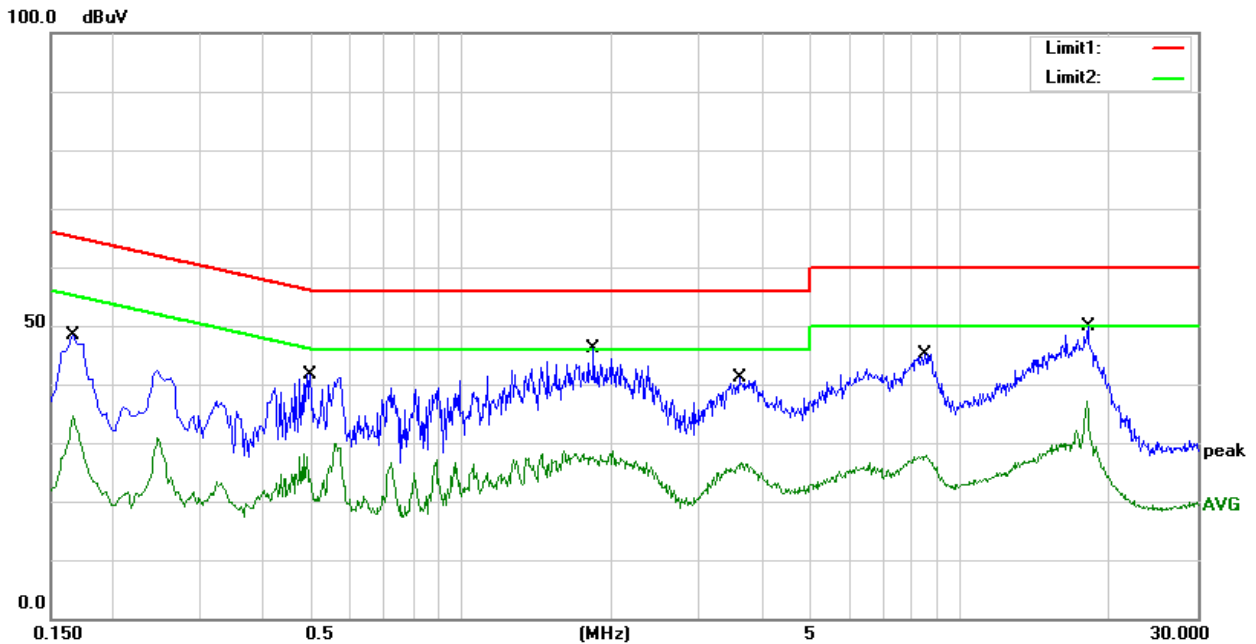


Temperature:	21.8(C)	Relative Humidity:	54%RH
Test Voltage	AC 120V/60Hz	Phase:	N
Test Mode	Mode 7		

No.	Frequency (MHz)	Reading (dBUV)	Correct Factor(dB)	Result (dBUV)	Limit (dBUV)	Margin (dB)	Remark
1	0.1660	28.16	20.33	48.49	65.16	-16.67	QP
2	0.1660	14.31	20.33	34.64	55.16	-20.52	AVG
3	0.4980	21.21	20.49	41.70	56.03	-14.33	QP
4	0.4980	7.02	20.49	27.51	46.03	-18.52	AVG
5	1.8420	25.82	20.38	46.20	56.00	-9.80	QP
6	1.8420	7.34	20.38	27.72	46.00	-18.28	AVG
7	3.6180	20.63	20.49	41.12	56.00	-14.88	QP
8	3.6180	6.04	20.49	26.53	46.00	-19.47	AVG
9	8.5340	24.34	20.76	45.10	60.00	-14.90	QP
10	8.5540	7.14	20.76	27.90	50.00	-22.10	AVG
11	18.0860	27.44	22.39	49.83	60.00	-10.17	QP
12	18.0860	14.69	22.39	37.08	50.00	-12.92	AVG

Remark:

1. All readings are Quasi-Peak and Average values
2. Margin = Result (Result =Reading + Factor) –Limit
3. Factor=LISN factor+Cable loss+Limiter (10dB)



3.2 RADIATED EMISSION AND (BANDEDGE) MEASUREMENT

3.2.1 RADIATED EMISSION LIMITS (Frequency Range 9kHz-1000MHz)

In case the emission fall within the restricted band specified on 15.407(b)7& 15.205/209(a), then the limit in the table below has to be followed.

Frequencies (MHz)	Field Strength (microvolt/meter)	Measurement Distance (meters)
0.009~0.490	2400/F(KHz)	300
0.490~1.705	24000/F(KHz)	30
1.705~30.0	30	30
30~88	100	3
88~216	150	3
216~960	200	3
Above 960	500	3

LIMITS OF RADIATED EMISSION MEASUREMENT (Above 1000MHz)

FREQUENCY (MHz)	Class B (dBuV/m) (at 3M)	
	PEAK	AVERAGE
Above 1000	68.2	54

Notes:

- (1) The limit for radiated test was performed according to FCC PART 15E.
- (2) The tighter limit applies at the band edges.
- (3) Emission level (dBuV/m)=20log Emission level (uV/m).

LIMITS OF RESTRICTED FREQUENCY BANDS

FREQUENCY (MHz)	FREQUENCY (MHz)	FREQUENCY (MHz)	FREQUENCY (GHz)
0.090-0.110	16.42-16.423	399.9-410	4.5-5.15
0.495-0.505	16.69475-16.69525	608-614	5.35-5.46
2.1735-2.1905	16.80425-16.80475	960-1240	7.25-7.75
4.125-4.128	25.5-25.67	1300-1427	8.025-8.5
4.17725-4.17775	37.5-38.25	1435-1626.5	9.0-9.2
4.20725-4.20775	73-74.6	1645.5-1646.5	9.3-9.5
6.215-6.218	74.8-75.2	1660-1710	10.6-12.7
6.26775-6.26825	108-121.94	1718.8-1722.2	13.25-13.4
6.31175-6.31225	123-138	2200-2300	14.47-14.5
8.291-8.294	149.9-150.05	2310-2390	15.35-16.2
8.362-8.366	156.52475-156.52525	2483.5-2500	17.7-21.4
8.37625-8.38675	156.7-156.9	2690-2900	22.01-23.12
8.41425-8.41475	162.0125-167.17	3260-3267	23.6-24.0
12.29-12.293	167.72-173.2	3332-3339	31.2-31.8
12.51975-12.52025	240-285	3345.8-3358	36.43-36.5
12.57675-12.57725	322-335.4	3600-4400	Above 38.6
13.36-13.41			

Note: In case the emission radiated emission above 1000MHz fall within the restricted band the restricted frequency bands, the peak limit is 74 dBuV/m.



LIMITS OF EMISSIONS OUTSIDE OF THE FREQUENCY BANDS

Undesirable emission limits. Except as shown in paragraph (b)(7) of this section, the maximum emissions outside of the frequency bands of operation shall be attenuated in accordance with the following limits:

- (1) For transmitters operating in the 5.15-5.25 GHz band: All emissions outside of the 5.15-5.35 GHz band shall not exceed an e.i.r.p. of -27 dBm/MHz.
- (2) For transmitters operating in the 5.25-5.35 GHz band: All emissions outside of the 5.15-5.35 GHz band shall not exceed an e.i.r.p. of -27 dBm/MHz.
- (3) For transmitters operating in the 5.47-5.725 GHz band: All emissions outside of the 5.47-5.725 GHz band shall not exceed an e.i.r.p. of -27 dBm/MHz.
- (4) For transmitters operating in the 5.725-5.85 GHz band:
 - (i) All emissions shall be limited to a level of -27 dBm/MHz at 75 MHz or more above or below the band edge increasing linearly to 10 dBm/MHz at 25 MHz above or below the band edge, and from 25 MHz above or below the band edge increasing linearly to a level of 15.6 dBm/MHz at 5 MHz above or below the band edge, and from 5 MHz above or below the band edge increasing linearly to a level of 27 dBm/MHz at the band edge.

Note: dBuV/m(at 3M) = EIRP(dBm) + 95.2.

Peak Limit = -27dBm/MHz + 95.3 = 68.2 dBuV/m.

Spectrum Parameter	Setting
Attenuation	Auto
Detector	Peak
Start Frequency	1000 MHz(Peak/AV)
Stop Frequency	10th carrier harmonic (Peak/AV)
RB / VB (emission in restricted band)	1 MHz / 1 MHz, AV=1 MHz /3 MHz

For Band edge

Spectrum Parameter	Setting
Detector	Peak
RB / VB (emission in restricted band)	1 MHz / 1 MHz, AV=1 MHz /3 MHz

Receiver Parameter	Setting
Attenuation	Auto
Start ~ Stop Frequency	9kHz~90kHz / RB 200Hz for PK & AV
Start ~ Stop Frequency	90kHz~110kHz / RB 200Hz for QP
Start ~ Stop Frequency	110kHz~490kHz / RB 200Hz for PK & AV
Start ~ Stop Frequency	490kHz~30MHz / RB 9kHz for QP
Start ~ Stop Frequency	30MHz~1000MHz / RB 120kHz for QP



3.2.2 TEST PROCEDURE

- a. The measuring distance at 3 m shall be used for measurements at frequency 0.009MHz up to 1GHz, and above 1GHz.
- b. The EUT was placed on the top of a rotating table 0.8 m (above 1GHz is 1.5 m) above the ground at a 3 m anechoic chamber test site. The table was rotated 360 degree to determine the position of the highest radiation.
- c. The height of the equipment shall be 0.8 m (above 1GHz is 1.5 m); the height of the test antenna shall vary between 1 m to 4 m. Horizontal and vertical polarization of the antenna are set to make the measurement.
- d. The initial step in collecting conducted emission data is a spectrum analyzer peak detector mode pre-scanning the measurement frequency range. Significant peaks are then marked and QuasiPeak detector mode will be re-measured.
- e. If the Peak Mode measured value is compliance with and lower than Quasi Peak Mode Limit, the EUT shall be deemed to meet QP Limits and no additional QP Mode measurement was performed.
- f. For the actual test configuration, please refer to the related Item –EUT Test Photos.

Note:

Both horizontal and vertical antenna polarities were tested and performed pretest to three orthogonal axis. The worst case emissions were reported.

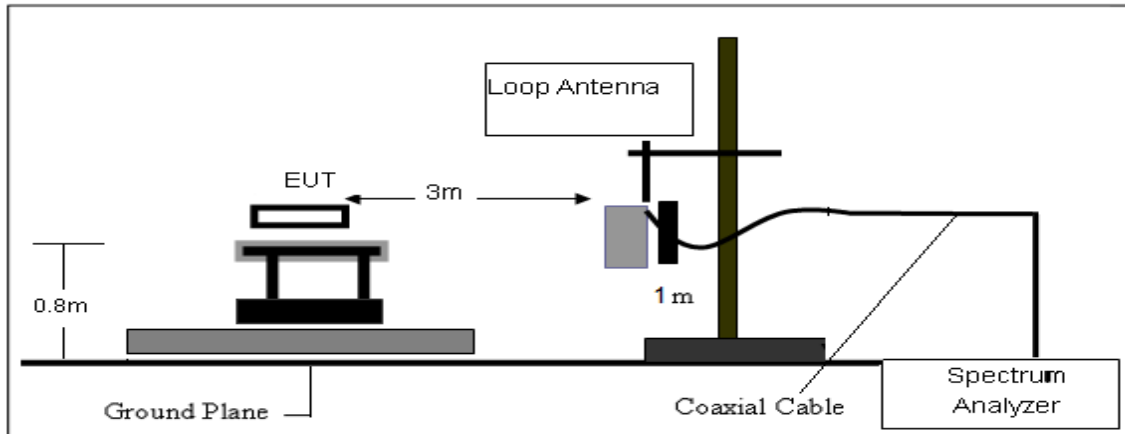
3.2.2 DEVIATION FROM TEST STANDARD

No deviation

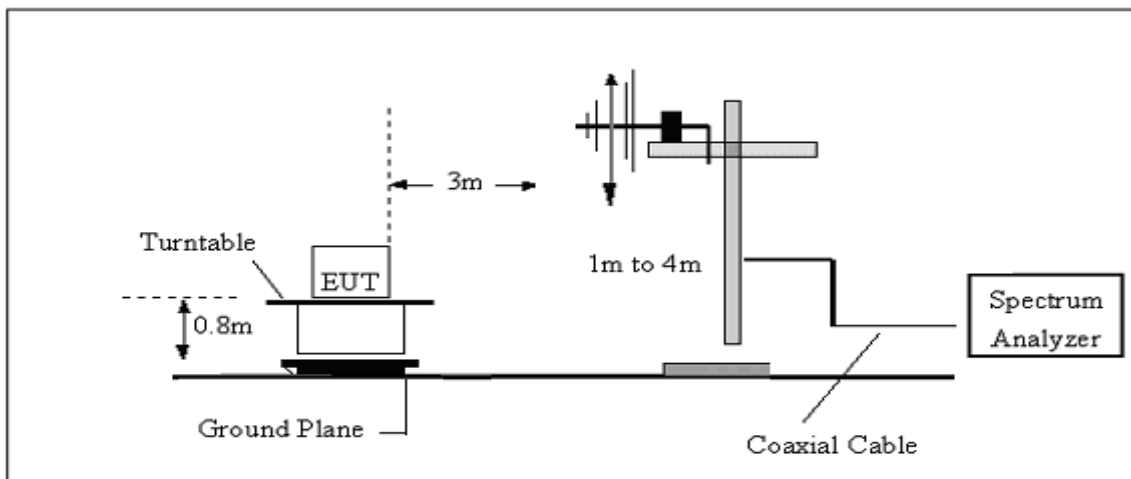


3.2.3 TEST SETUP

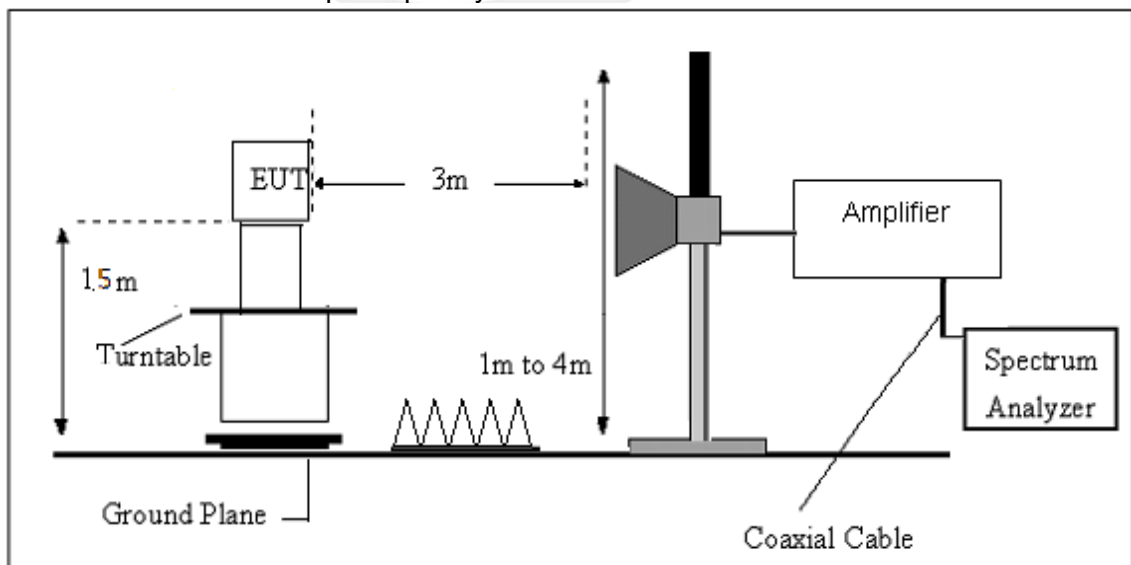
(A) Radiated Emission Test-Up Frequency Below 30MHz



(B) Radiated Emission Test-Up Frequency 30MHz~1GHz



(C) Radiated Emission Test-Up Frequency Above 1GHz





3.2.4 EUT OPERATING CONDITIONS

The EUT tested system was configured as the statements of 2.4 Unless otherwise a special operating condition is specified in the follows during the testing.

3.2.5 FIELD STRENGTH CALCULATION

The field strength is calculated by adding the Antenna Factor and Cable Factor and subtracting the Amplifier Gain and Duty Cycle Correction Factor (if any) from the measured reading. The basic equation with a sample calculation is as follows:

$$FS = RA + AF + CL - AG$$

Where

FS = Field Strength

CL = Cable Attenuation Factor (Cable Loss)

RA = Reading Amplitude

AG = Amplifier Gain

AF = Antenna Factor

For example

Frequency (MHz)	FS (dB μ V/m)	RA (dB μ V/m)	AF (dB)	CL (dB)	AG (dB)	Factor (dB)
300	40	58.1	12.2	1.6	31.9	-18.1

$$\text{Factor} = \text{AF} + \text{CL} - \text{AG}$$

**3.2.6 TEST RESULTS (Between 9KHz – 30 MHz)**

Temperature:	23.1(C)	Relative Humidity:	60%RH
Test Voltage:	DC 3.6V	Polarization :	--
Test Mode:	TX Mode		

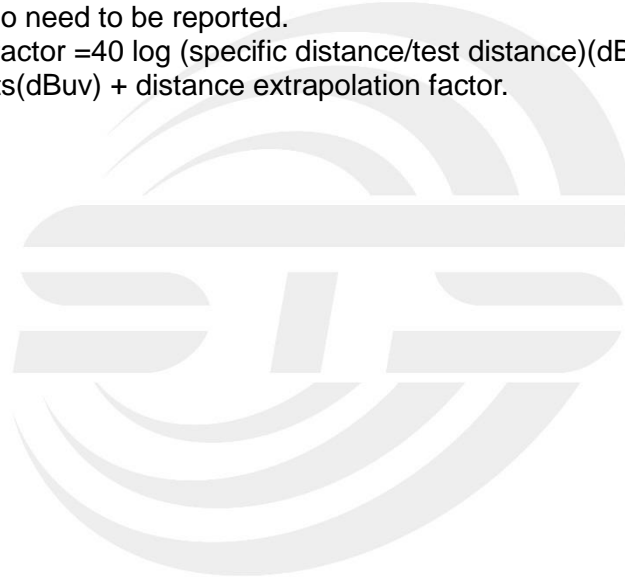
Freq.	Reading	Limit	Margin	State
(MHz)	(dBuV/m)	(dBuV/m)	(dB)	P/F
--	--	--	--	PASS
--	--	--	--	PASS

Note:

The amplitude of spurious emissions which are attenuated by more than 20dB below the permissible value has no need to be reported.

Distance extrapolation factor = $40 \log(\text{specific distance}/\text{test distance})$ (dB);

Limit line = specific limits(dBuv) + distance extrapolation factor.





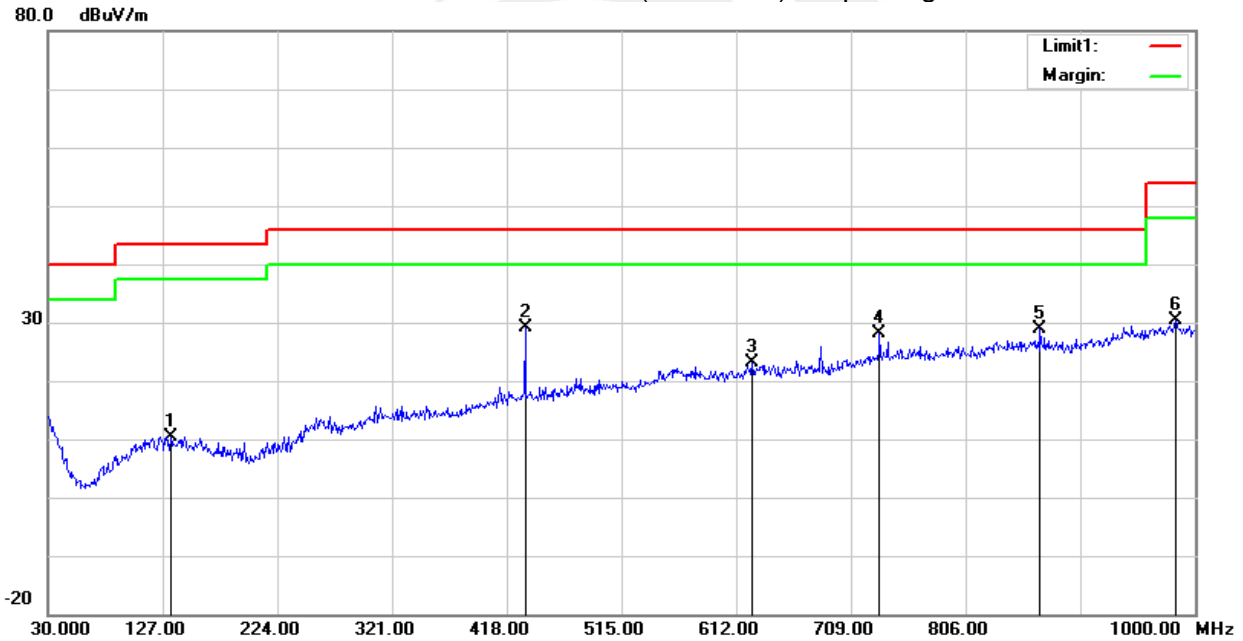
3.2.7 TEST RESULTS (Between 30MHz – 1GHz)

Temperature	23.1(C)	Relative Humidity:	60%RH
Test Voltage	DC 3.6V	Polarization:	Horizontal
Test Mode	Mode 1~6(Mode 6 worst mode)		

No.	Frequency (MHz)	Reading (dBuV)	Correct Factor(dB/m)	Result (dBuV/m)	Limit (dBuV/m)	Margin (dB)	Remark
1	133.7900	28.64	-18.14	10.50	43.50	-33.00	QP
2	433.5200	39.22	-10.13	29.09	46.00	-16.91	QP
3	625.5800	28.27	-5.25	23.02	46.00	-22.98	QP
4	733.2500	30.43	-2.35	28.08	46.00	-17.92	QP
5	869.0500	29.49	-0.52	28.97	46.00	-17.03	QP
6	983.5100	27.96	2.46	30.42	54.00	-23.58	QP

Remark:

1. Margin = Result (Result =Reading + Factor)-Limit
2. Factor= Antenna factor+Cable attenuation factor(cable loss)-Amplifier gain



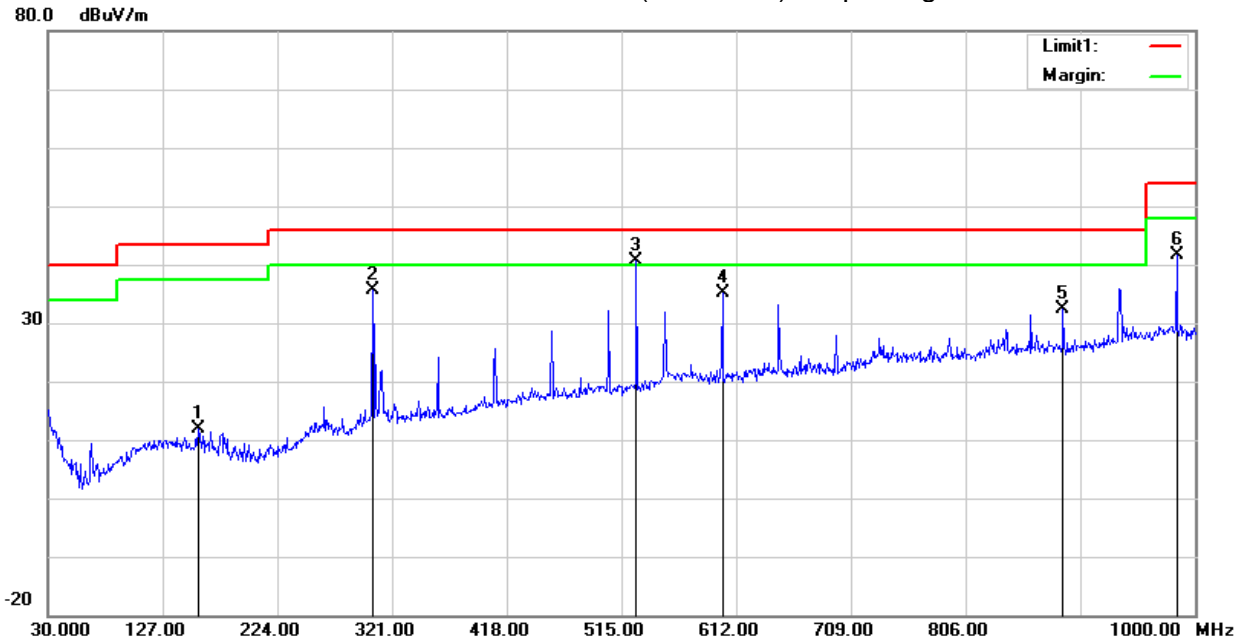


Temperature	23.1(C)	Relative Humidity:	60%RH
Test Voltage	DC 3.6V	Polarization:	Vertical
Test Mode	Mode 1~6(Mode 6 worst mode)		

No.	Frequency (MHz)	Reading (dBuV)	Correct Factor(dB/m)	Result (dBuV/m)	Limit (dBuV/m)	Margin (dB)	Remark
1	157.0700	30.64	-18.70	11.94	43.50	-31.56	QP
2	304.5100	50.22	-14.65	35.57	46.00	-10.43	QP
3	527.6100	48.24	-7.54	40.70	46.00	-5.30	QP
4	600.3600	40.85	-5.84	35.01	46.00	-10.99	QP
5	888.4500	33.01	-0.68	32.33	46.00	-13.67	QP
6	984.4800	39.16	2.40	41.56	54.00	-12.44	QP

Remark:

- Margin = Result (Result =Reading + Factor) –Limit
- Factor= Antenna factor+Cable attenuation factor(cable loss)-Amplifier gain





3.2.8 TEST RESULTS (Above 1000 MHz)

Band IV(5.725-5.850) GHz

Frequency (MHz)	Reading	Amplifier	Loss	Antenna Factor	Orrected Factor	Emission Level	Limit (dBuV/m)	Margin	Detector	Comment
	(dBuV)	(dB)	(dB)	(dB/m)	(dB)	(dBuV/m)		(dB)		
Low Channel (802.11ac(VHT80)/ 5775 MHz)										
3280.36	44.07	44.70	6.70	28.20	-9.80	34.27	68.20	-33.93	Pk	Vertical
3280.36	41.66	44.70	6.70	28.20	-9.80	31.86	54.00	-22.14	AV	Vertical
3278.79	43.84	44.70	6.70	28.20	-9.80	34.04	68.20	-34.16	Pk	Horizontal
3278.79	41.24	44.70	6.70	28.20	-9.80	31.44	54.00	-22.56	AV	Horizontal
4003.36	39.73	44.20	7.90	29.70	-6.60	33.13	74.00	-40.87	Pk	Vertical
4003.36	35.66	44.20	7.90	29.70	-6.60	29.06	54.00	-24.94	AV	Vertical
4013.74	38.89	44.20	7.90	29.70	-6.60	32.29	74.00	-41.71	Pk	Horizontal
4013.74	36.69	44.20	7.90	29.70	-6.60	30.09	54.00	-23.91	AV	Horizontal
7259.22	37.39	43.50	11.40	35.50	3.40	40.79	74.00	-33.21	Pk	Vertical
7259.22	34.29	43.50	11.40	35.50	3.40	37.69	54.00	-16.31	AV	Vertical
7260.36	37.28	43.50	11.40	35.50	3.40	40.68	74.00	-33.32	Pk	Horizontal
7260.36	34.33	43.50	11.40	35.50	3.40	37.73	54.00	-16.27	AV	Horizontal
10561.74	40.20	44.50	13.90	38.80	8.20	48.40	68.20	-19.80	Pk	Vertical
10561.74	36.72	44.50	13.90	38.80	8.20	44.92	54.00	-9.08	AV	Vertical
10561.33	40.06	44.50	13.90	38.80	8.20	48.26	68.20	-19.94	Pk	Horizontal
10561.33	36.37	44.50	13.90	38.80	8.20	44.57	54.00	-9.43	AV	Horizontal
11550.30	32.76	43.60	14.30	39.50	10.20	42.96	74.00	-31.04	Pk	Vertical
11550.30	30.93	43.60	14.30	39.50	10.20	41.13	54.00	-12.87	AV	Vertical
11550.17	33.86	43.60	14.30	39.50	10.20	44.06	74.00	-29.94	Pk	Horizontal
11550.17	30.58	43.60	14.30	39.50	10.20	40.78	54.00	-13.22	AV	Horizontal
13358.64	32.66	42.60	15.90	38.90	12.20	44.86	74.00	-29.14	Pk	Vertical
13358.64	29.77	42.60	15.90	38.90	12.20	41.97	54.00	-12.03	AV	Vertical
13369.09	32.73	42.60	15.90	38.90	12.20	44.93	74.00	-29.07	Pk	Horizontal
13369.09	28.70	42.60	15.90	38.90	12.20	40.90	54.00	-13.10	AV	Horizontal

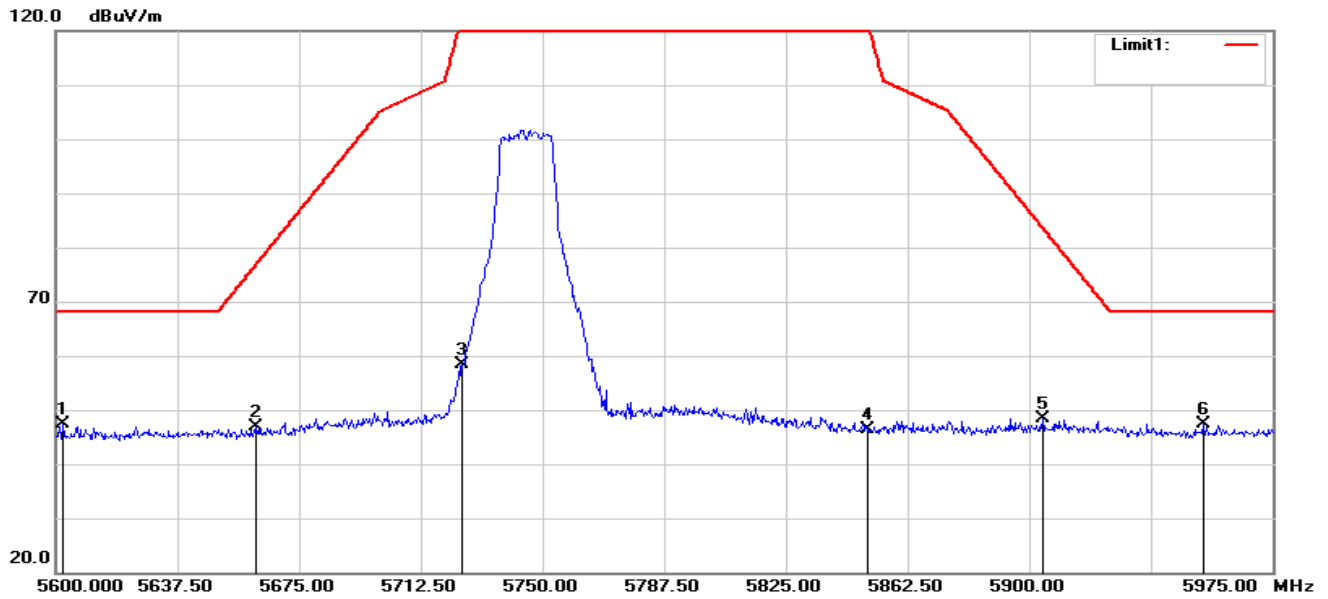
Remark:

- Factor = Antenna Factor + Cable Loss – Pre-amplifier.
- Scan with 802.11a,802.11n (HT-20),802.11n (HT-40), 802.11ac (VHT-20),802.11ac (VHT-40), 802.11ac (VHT-80) the worst case is 802.11ac (VHT-80).
- The frequency emission of peak points that did not show above the forms are at least 20dB below the limit, the frequency emission is mainly from the environment noise.

3.2.9 RESTRICTED FREQUENCY BANDS AND BAND EDGE

Band IV(5.725-5.85 GHz)

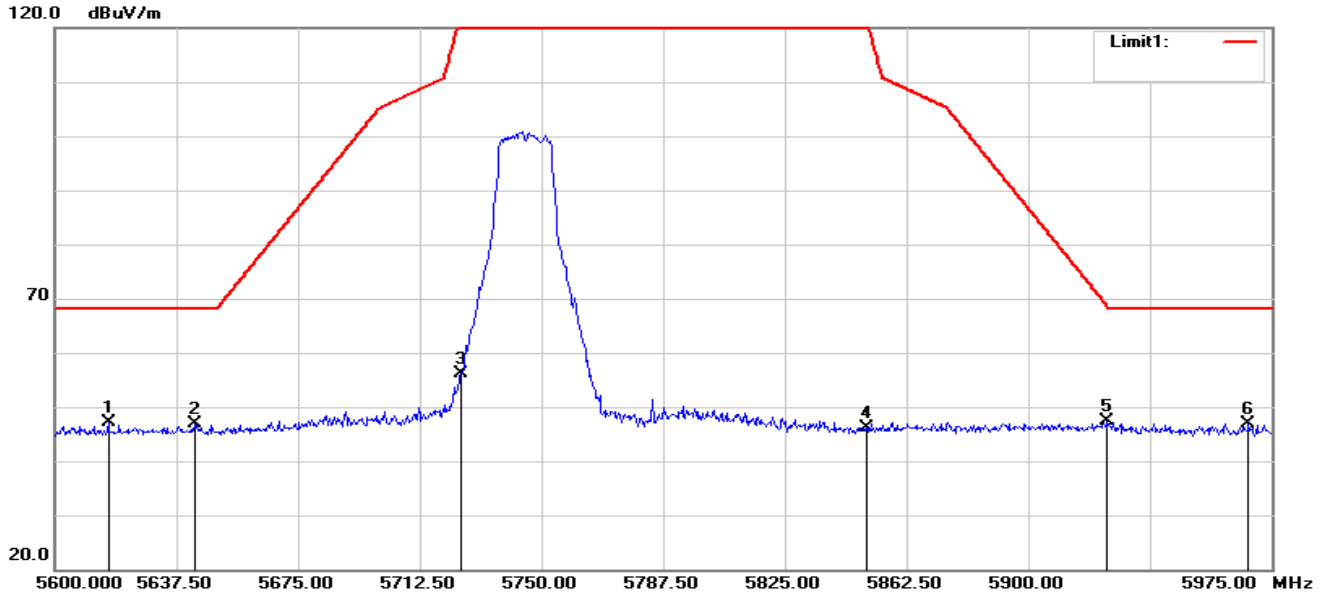
802.11a20-L-H



No.	Frequency (MHz)	Reading (dBuV)	Correct Factor(dB/m)	Result (dBuV/m)	Limit (dBuV/m)	Margin (dB)	Remark
1	5602.250	52.20	-4.70	47.50	68.20	-20.70	peak
2	5661.875	51.51	-4.67	46.84	76.99	-30.15	peak
3	5725.000	62.84	-4.57	58.27	122.20	-63.93	peak
4	5850.000	50.45	-4.10	46.35	122.20	-75.85	peak
5	5904.125	52.29	-3.88	48.41	83.65	-35.24	peak
6	5953.625	51.25	-3.97	47.28	68.20	-20.92	peak



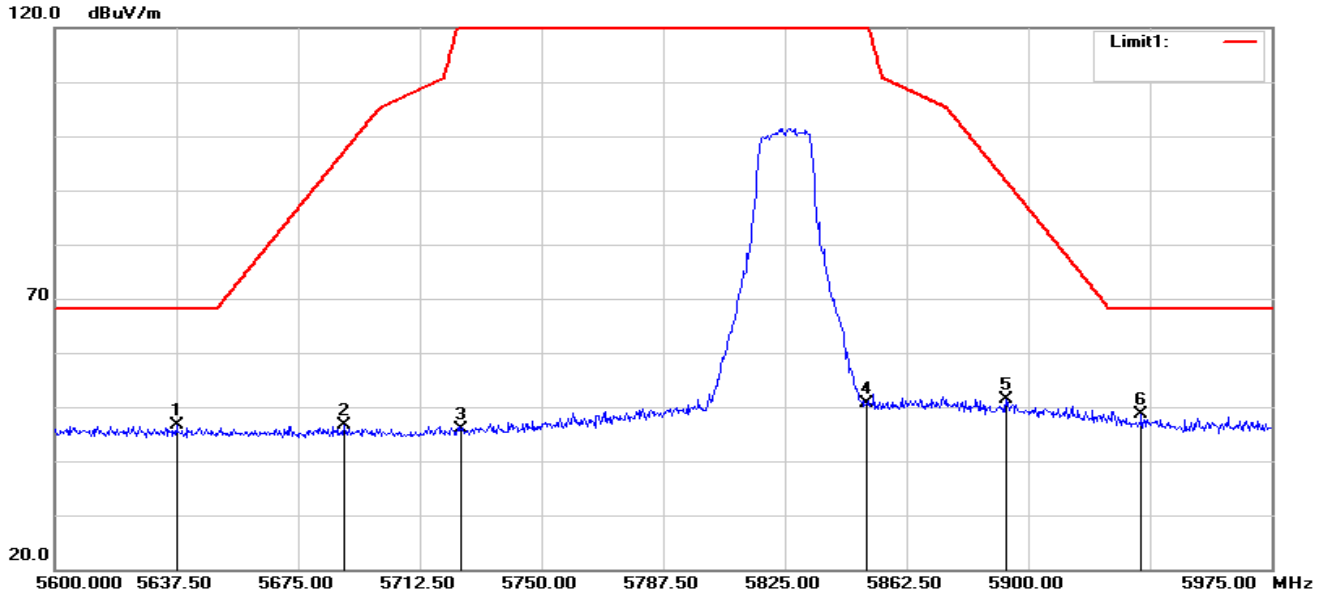
802.11a20-L-V



No.	Frequency (MHz)	Reading (dBuV)	Correct Factor(dB/m)	Result (dBuV/m)	Limit (dBuV/m)	Margin (dB)	Remark
1	5616.500	51.70	-4.69	47.01	68.20	-21.19	peak
2	5643.125	51.50	-4.68	46.82	68.20	-21.38	peak
3	5725.000	60.61	-4.57	56.04	122.20	-66.16	peak
4	5850.000	50.17	-4.10	46.07	122.20	-76.13	peak
5	5924.375	51.28	-3.92	47.36	68.66	-21.30	peak
6	5967.875	50.91	-3.99	46.92	68.20	-21.28	peak



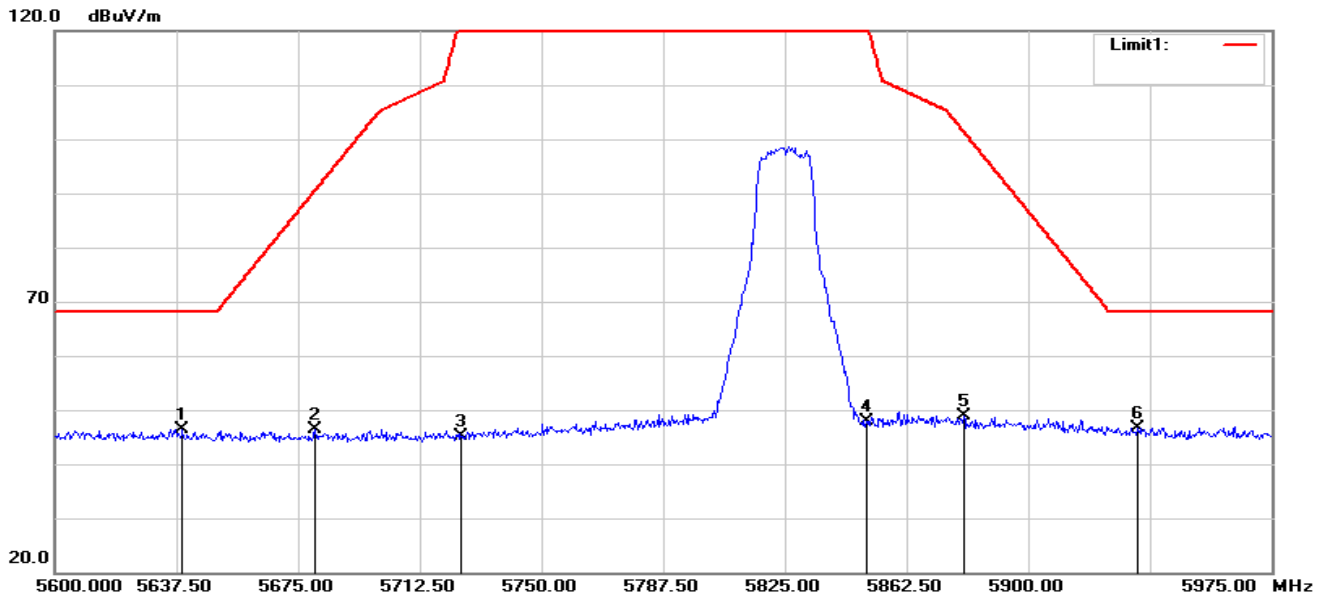
802.11a20-H-H



No.	Frequency (MHz)	Reading (dBuV)	Correct Factor(dB/m)	Result (dBuV/m)	Limit (dBuV/m)	Margin (dB)	Remark
1	5637.500	51.32	-4.69	46.63	68.20	-21.57	peak
2	5689.250	51.36	-4.67	46.69	97.25	-50.56	peak
3	5725.000	50.52	-4.57	45.95	122.20	-76.25	peak
4	5850.000	54.65	-4.10	50.55	122.20	-71.65	peak
5	5893.250	55.35	-3.91	51.44	91.70	-40.26	peak
6	5934.875	52.56	-3.94	48.62	68.20	-19.58	peak



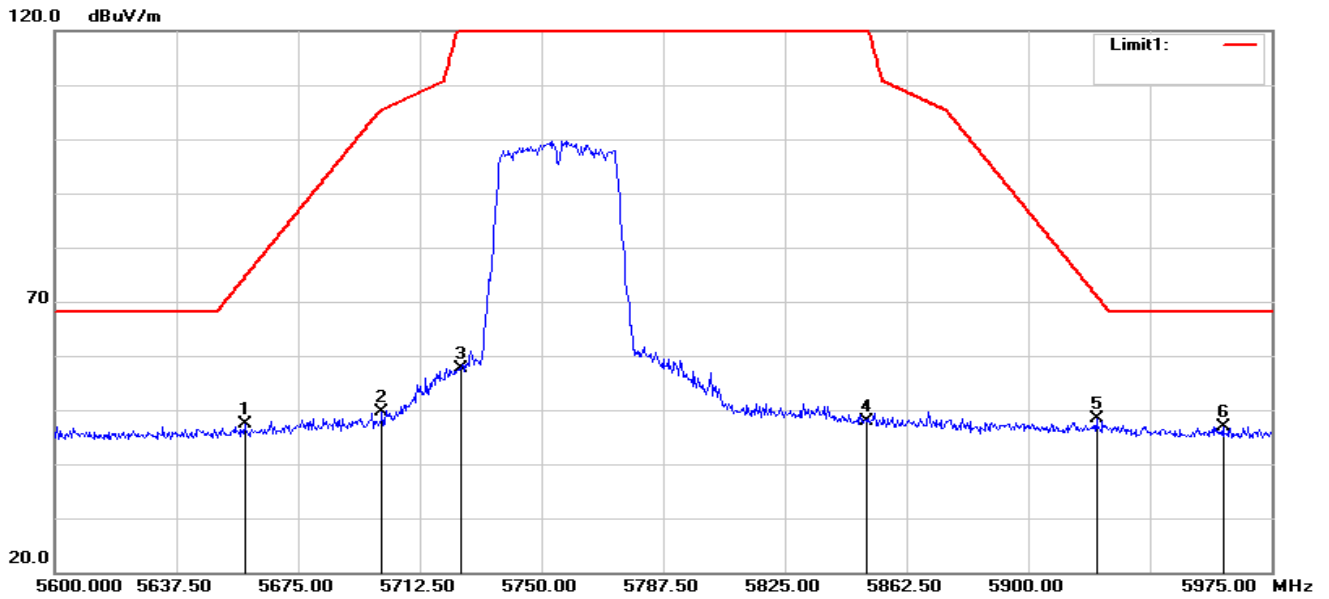
802.11a20-H-V



No.	Frequency (MHz)	Reading (dBuV)	Correct Factor(dB/m)	Result (dBuV/m)	Limit (dBuV/m)	Margin (dB)	Remark
1	5639.375	51.19	-4.69	46.50	68.20	-21.70	peak
2	5680.250	51.08	-4.67	46.41	90.59	-44.18	peak
3	5725.000	49.63	-4.57	45.06	122.20	-77.14	peak
4	5850.000	52.00	-4.10	47.90	122.20	-74.30	peak
5	5880.125	52.79	-3.97	48.82	101.41	-52.59	peak
6	5933.750	50.68	-3.94	46.74	68.20	-21.46	peak



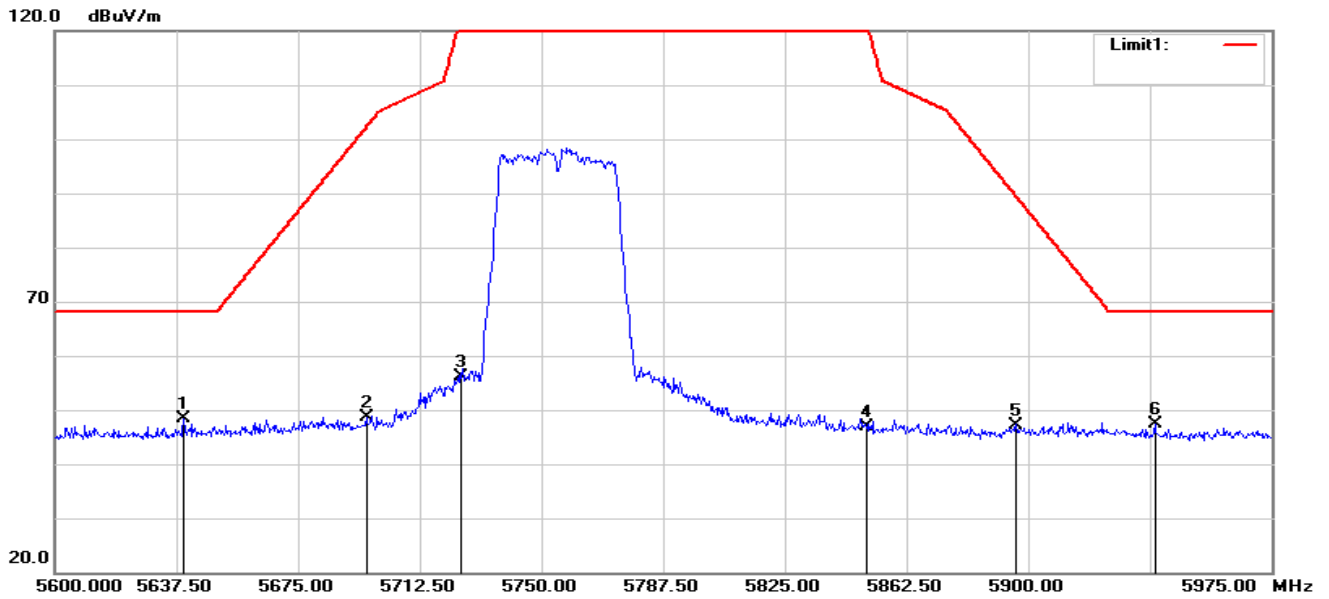
802.11n40-L-H



No.	Frequency (MHz)	Reading (dBuV)	Correct Factor(dB/m)	Result (dBuV/m)	Limit (dBuV/m)	Margin (dB)	Remark
1	5658.500	51.98	-4.68	47.30	74.49	-27.19	peak
2	5700.875	54.30	-4.66	49.64	105.45	-55.81	peak
3	5725.000	62.13	-4.57	57.56	122.20	-64.64	peak
4	5850.000	52.03	-4.10	47.93	122.20	-74.27	peak
5	5921.000	52.23	-3.92	48.31	71.16	-22.85	peak
6	5960.000	50.94	-3.98	46.96	68.20	-21.24	peak



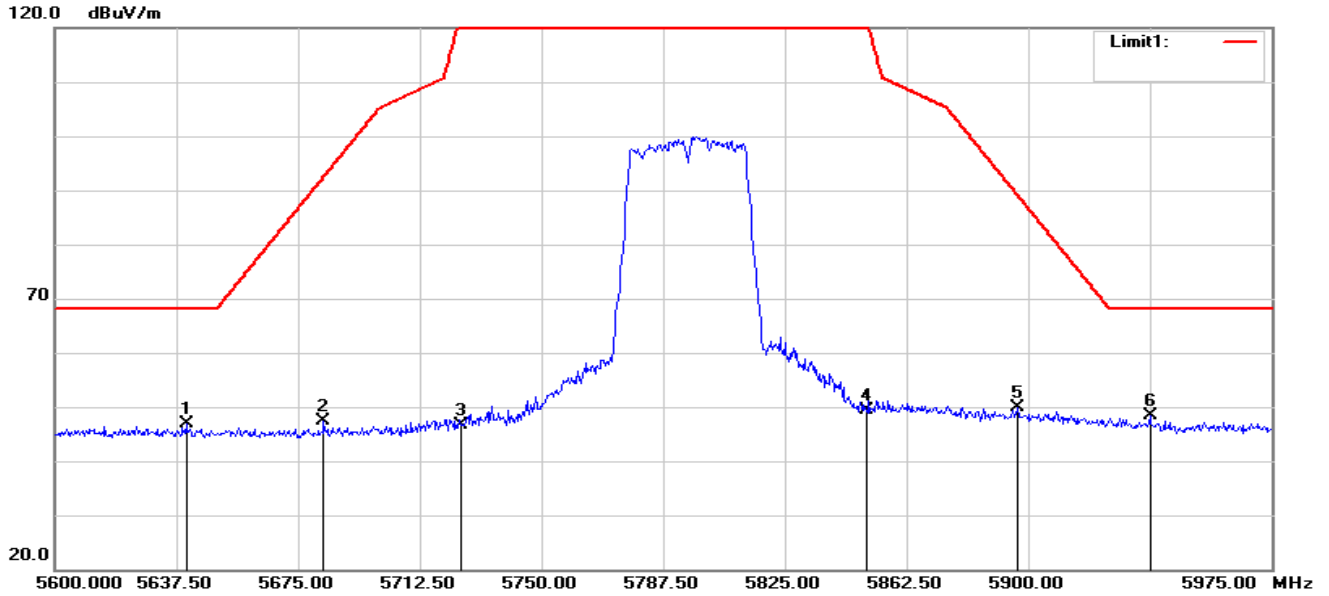
802.11n40-L-V



No.	Frequency (MHz)	Reading (dBuV)	Correct Factor(dB/m)	Result (dBuV/m)	Limit (dBuV/m)	Margin (dB)	Remark
1	5639.750	53.04	-4.69	48.35	68.20	-19.85	peak
2	5696.000	53.32	-4.67	48.65	102.24	-53.59	peak
3	5725.000	60.66	-4.57	56.09	122.20	-66.11	peak
4	5850.000	50.96	-4.10	46.86	122.20	-75.34	peak
5	5896.250	51.15	-3.90	47.25	89.48	-42.23	peak
6	5939.000	51.30	-3.95	47.35	68.20	-20.85	peak



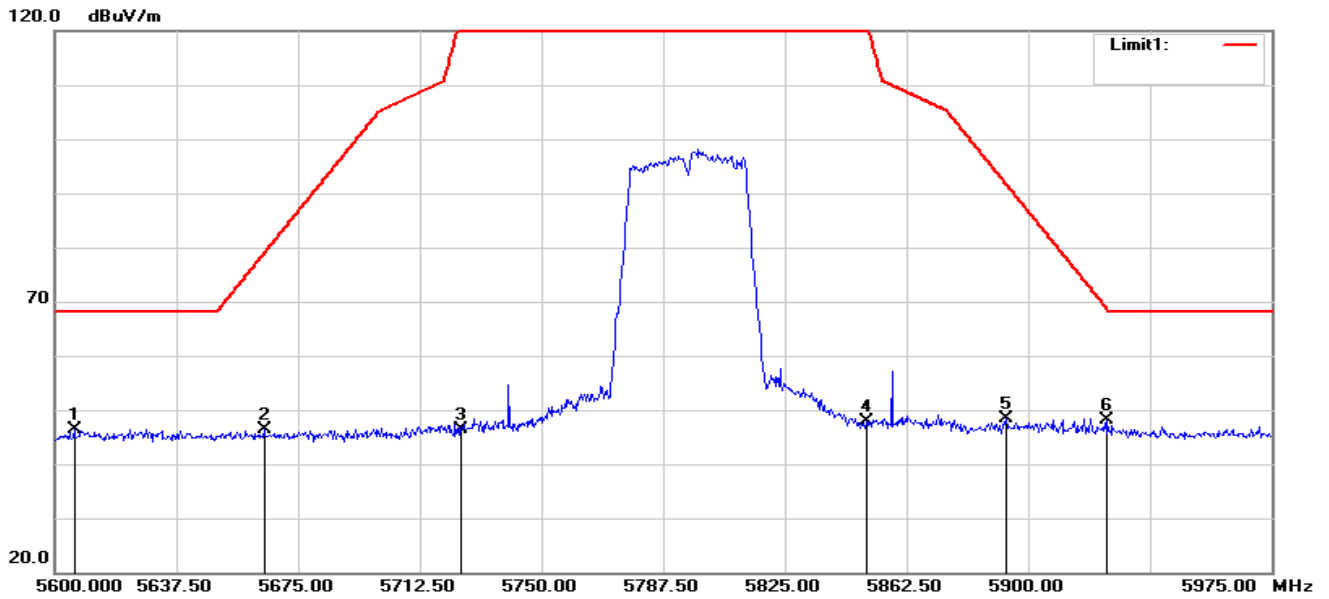
802.11n40-H-H



No.	Frequency (MHz)	Reading (dBuV)	Correct Factor(dB/m)	Result (dBuV/m)	Limit (dBuV/m)	Margin (dB)	Remark
1	5640.500	51.69	-4.69	47.00	68.20	-21.20	peak
2	5682.875	51.94	-4.67	47.27	92.53	-45.26	peak
3	5725.000	51.18	-4.57	46.61	122.20	-75.59	peak
4	5850.000	53.39	-4.10	49.29	122.20	-72.91	peak
5	5896.625	53.73	-3.90	49.83	89.20	-39.37	peak
6	5937.500	52.37	-3.94	48.43	68.20	-19.77	peak



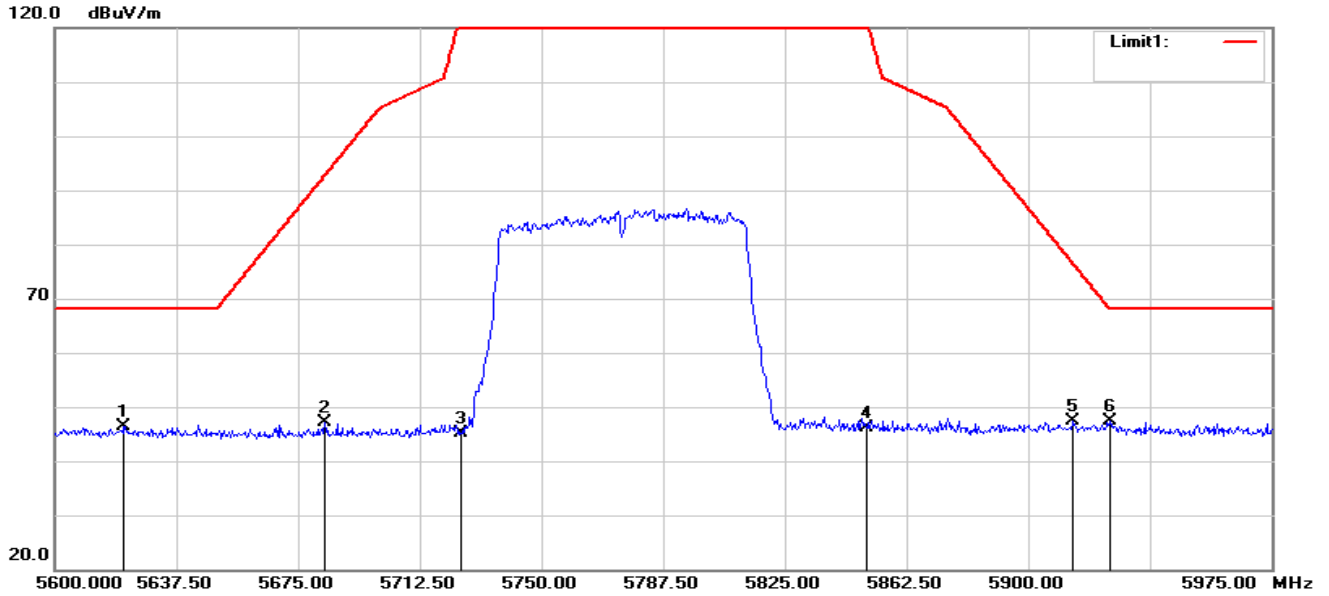
802.11n40-H-V



No.	Frequency (MHz)	Reading (dBuV)	Correct Factor(dB/m)	Result (dBuV/m)	Limit (dBuV/m)	Margin (dB)	Remark
1	5606.000	51.18	-4.70	46.48	68.20	-21.72	peak
2	5664.500	51.18	-4.68	46.50	78.93	-32.43	peak
3	5725.000	50.97	-4.57	46.40	122.20	-75.80	peak
4	5850.000	52.01	-4.10	47.91	122.20	-74.29	peak
5	5893.250	52.27	-3.91	48.36	91.70	-43.34	peak
6	5924.375	52.00	-3.92	48.08	68.66	-20.58	peak



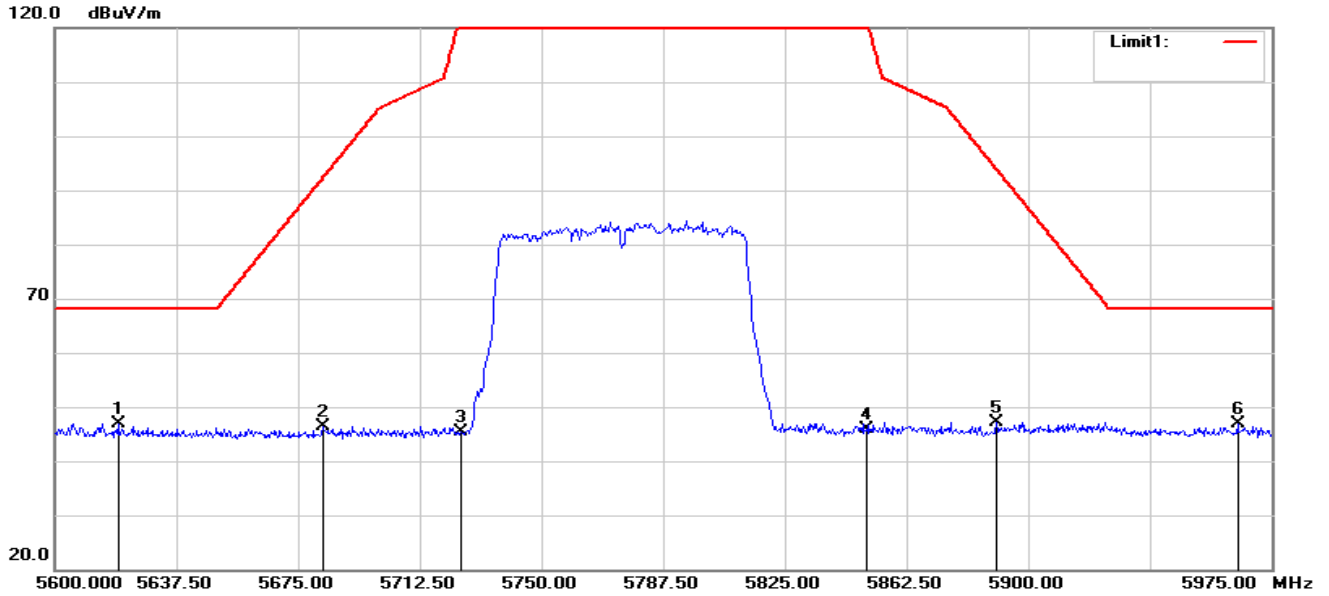
802.11ac80-H



No.	Frequency (MHz)	Reading (dBuV)	Correct Factor(dB/m)	Result (dBuV/m)	Limit (dBuV/m)	Margin (dB)	Remark
1	5621.375	51.18	-4.70	46.48	68.20	-21.72	peak
2	5683.250	51.81	-4.67	47.14	92.81	-45.67	peak
3	5725.000	49.73	-4.57	45.16	122.20	-77.04	peak
4	5850.000	50.15	-4.10	46.05	122.20	-76.15	peak
5	5913.875	51.36	-3.91	47.45	76.43	-28.98	peak
6	5925.125	51.30	-3.92	47.38	68.20	-20.82	peak



802.11ac80-V



No.	Frequency (MHz)	Reading (dBuV)	Correct Factor(dB/m)	Result (dBuV/m)	Limit (dBuV/m)	Margin (dB)	Remark
1	5619.500	51.66	-4.69	46.97	68.20	-21.23	peak
2	5682.500	51.07	-4.67	46.40	92.25	-45.85	peak
3	5725.000	50.01	-4.57	45.44	122.20	-76.76	peak
4	5850.000	50.08	-4.10	45.98	122.20	-76.22	peak
5	5890.250	51.05	-3.93	47.12	93.92	-46.80	peak
6	5964.500	50.90	-3.99	46.91	68.20	-21.29	peak

Note: All modes have been tested. Only the worst mode shown in the report.



4. POWER SPECTRAL DENSITY TEST

4.1 LIMIT

1. For mobile and portable client devices in the 5.15-5.25 GHz band, , the maximum power spectral density shall not exceed 11 dBm in any 1 megahertz band. If transmitting antennas of directional gain greater than 6 dBi are used, both the maximum conducted output power and the maximum power spectral density shall be reduced by the amount in dB that the directional gain of the antenna exceeds 6 dBi.
2. For the 5.25-5.35 GHz and 5.47-5.725 GHz bands, the maximum power spectral density shall not exceed 11 dBm in any 1 megahertz band. If transmitting antennas of directional gain greater than 6 dBi are used, both the maximum conducted output power and the maximum power spectral density shall be reduced by the amount in dB that the directional gain of the antenna exceeds 6 dBi.
3. For the band 5.725-5.850 GHz, the peak power spectral density shall not exceed 30 dBm in any 500KHz band. If transmitting antenna directional gain is greater than 6 dBi, both the maximum conducted output power and the peak power spectral density shall be reduced by the amount in dB that the directional gain of the antenna exceeds 6 dBi.

4.2 TEST PROCEDURE

1. The setting follows Method SA-1 of FCC KDB D02 General UNII Test Procedures New Rules v01r03.

For devices operating in the band, the rules specify a measurement bandwidth of 500 kHz.

Many spectrum analyzers do not have 500 kHz RBW, thus a narrower RBW may need to be used.

The rules permit the use of a RBWs less than 1 MHz, or 500 kHz, "provided that the measured power is integrated over the full reference bandwidth" to show the total power over the specified measurement bandwidth (*i.e.*, 1 MHz, or 500 kHz). If measurements are performed using a reduced resolution bandwidth (< 1 MHz, or < 500 kHz) and integrated over 1 MHz, or 500 KHz bandwidth, the following adjustments to the procedures apply:

- a) Set $RBW \geq 1/T$, where T is defined in section II.B.I.a).
- b) Set $VBW \geq 3 RBW$.
- c) If measurement bandwidth of Maximum PSD is specified in 500 kHz, add $10 \log (500\text{kHz}/RBW)$ to the measured result, whereas $RBW (< 500 \text{ kHz})$ is the reduced resolution bandwidth of the spectrum analyzer set during measurement.
- d) If measurement bandwidth of Maximum PSD is specified in 1 MHz, add $10 \log (1\text{MHz}/RBW)$ to the measured result, whereas $RBW (< 1 \text{ MHz})$ is the reduced resolution bandwidth of spectrum analyzer set during measurement.
- e) Care must be taken to ensure that the measurements are performed during a period of continuous transmission or are corrected upward for duty cycle.

Note: As a practical matter, it is recommended to use reduced RBW of 100 kHz for the sections 5.c) and 5.d) above, since $RBW=100 \text{ KHZ}$ is available on nearly all spectrum analyzers.

4.3 DEVIATION FROM STANDARD

No deviation.

4.4 TEST SETUP



4.5 EUT OPERATION CONDITIONS

The EUT tested system was configured as the statements of 2.1 Unless otherwise a special operating condition is specified in the follows during the testing.

4.6 TEST RESULTS

5725-5850MHz						
Frequency	Use RBW 510KHz direct measurement Direct measurement Power Density (dBm)	Convert to RBW 500KHz direct measurement Power Density (dBm)	Duty cycle factor (dB)	Final Power Density (dBm)	Limit (dBm)	Result
802.11a						
5745	-2.280	-2.366	0.052	-2.314	30	PASS
5785	-2.780	-2.866	0.052	-2.814	30	PASS
5825	-2.816	-2.902	0.052	-2.850	30	PASS
802.11n20						
5745	-2.869	-2.955	0.054	-2.901	30	PASS
5785	-3.110	-3.196	0.054	-3.142	30	PASS
5825	-3.171	-3.257	0.054	-3.203	30	PASS
802.11n40						
5755	-5.194	-5.280	0.107	-5.173	30	PASS
5795	-6.181	-6.267	0.107	-6.160	30	PASS
802.11ac20						
5745	-2.844	-2.930	0.055	-2.875	30	PASS
5785	-2.807	-2.893	0.055	-2.838	30	PASS
5825	-3.178	-3.264	0.055	-3.209	30	PASS
802.11ac40						
5755	-5.635	-5.721	0.093	-5.628	30	PASS
5795	-6.051	-6.137	0.093	-6.044	30	PASS
802.11ac80						
5775	-9.432	-9.518	0.242	-9.276	30	PASS

Note: 1. RB conversion formula: $10 \cdot \text{LOG}(500\text{KHz}/\text{RBW})$
 2. Test plots see Attachment A

5. BANDWIDTH MEASUREMENT

5.1 EMISSION BANDWIDTH (EBW) 26 BANDWID PROCEDURES / LIMIT

The following procedure shall be used for measuring 26 bandwidth.

5.1.1 TEST PROCEDURE

1. The testing follows FCC KDB 789033 D02 General UNII Test Procedures New Rules v02r01
2. Set RBW = approximately 1% of the emission bandwidth.
3. Set the VBW \geq RBW.
4. Detector = Peak.
5. Trace mode = max hold.
6. Measure the maximum width of the emission that is 26 dB down from the peak of the emission. Compare this with the RBW setting of the analyzer. Readjust RBW and repeat measurement as needed until the RBW/EBW ratio is approximately 1%.

5.1.2 DEVIATION FROM STANDARD

No deviation.

6.1.3 TEST SETUP



5.1.4 EUT OPERATION CONDITIONS

The EUT tested system was configured as the statements of 2.4 Unless otherwise a special operating condition is specified in the follows during the testing.

**5.1.5 TEST RESULTS**

Frequency (MHz)	26dB Bandwidth (MHz)	Pass/Fail
802.11a		
5745	21.43	Pass
5785	21.51	Pass
5825	22.12	Pass
802.11n(HT20)		
5745	22.99	Pass
5785	22.10	Pass
5825	22.80	Pass
802.11n(HT40)		
5755	41.22	Pass
5795	41.35	Pass
802.11ac(VHT20)		
5745	22.97	Pass
5785	22.30	Pass
5825	22.33	Pass
802.11ac(VHT40)		
5755	41.24	Pass
5795	41.64	Pass
802.11ac(VHT80)		
5775	82.67	Pass

Test plot see Attachment B

5.2 OCCUPIED BANDWIDTH (99%) TEST APPLIED PROCEDURES / LIMIT

The following procedure shall be used for measuring (99 %) power bandwidth.

5.2.1 TEST PROCEDURE

1. The testing follows FCC KDB 789033 D02 General UNII Test Procedures v02r01.
The following procedure shall be used for measuring (99 %) power bandwidth:
 1. Set center frequency to the nominal EUT channel center frequency.
 2. Set span = 1.5 times to 5.0 times the OBW.
 3. Set RBW = 1 % to 5 % of the OBW
 4. Set VBW $\geq 3 \cdot$ RBW
 5. Video averaging is not permitted. Where practical, a sample detection and single sweep mode shall be used. Otherwise, peak detection and max hold mode (until the trace stabilizes) shall be used.
 6. Use the 99 % power bandwidth function of the instrument (if available).
 7. If the instrument does not have a 99 % power bandwidth function, the trace data points are recovered and directly summed in power units. The recovered amplitude data points, beginning at the lowest frequency, are placed in a running sum until 0.5 % of the total is reached; that frequency is recorded as the lower frequency. The process is repeated until 99.5 % of the total is reached; that frequency is recorded as the upper frequency. The 99% occupied bandwidth is the difference between these two frequencies.

5.2.2 DEVIATION FROM STANDARD

No deviation.

5.2.3 TEST SETUP



5.2.4 EUT OPERATION CONDITIONS

The EUT tested system was configured as the statements of 2.4 Unless otherwise a special operating condition is specified in the follows during the testing.

**5.2.5 TEST RESULTS**

Frequency (MHz)	99% Bandwidth (MHz)	Pass/Fail
802.11a		
5745	16.509	Pass
5785	16.504	Pass
5825	16.511	Pass
802.11n(HT20)		
5745	17.716	Pass
5785	17.703	Pass
5825	17.728	Pass
802.11n(HT40)		
5755	36.164	Pass
5795	36.189	Pass
802.11ac(VHT20)		
5745	17.719	Pass
5785	17.725	Pass
5825	17.720	Pass
802.11ac(VHT40)		
5755	36.143	Pass
5795	36.183	Pass
802.11ac(VHT80)		
5775	75.667	Pass

Test plot See Attachment B

5.3 MINIMUM EMISSION BANDWIDTH(6 DB) PROCEDURES / LIMIT

Section 15.407(e) specifies the minimum 6 dB emission bandwidth of at least 500 KHz for the band 5.725-5.85 GHz. The following procedure shall be used for measuring this bandwidth.

5.3.1 TEST PROCEDURE

1. The testing follows FCC KDB 789033 D02 General UNII Test Procedures v02r01.
 - a) Set RBW = 100 kHz.
 - b) Set the video bandwidth (VBW) $\geq 3 \times$ RBW.
 - c) Detector = Peak.
 - d) Trace mode = max hold.
 - e) Sweep = auto couple.
 - f) Allow the trace to stabilize.
 - g) Measure the maximum width of the emission that is constrained by the frequencies associated with the two outermost amplitude points (upper and lower frequencies) that are attenuated by 6 dB relative to the maximum level measured in the fundamental emission.

5.3.2 DEVIATION FROM STANDARD

No deviation.

5.3.3 TEST SETUP



5.3.4 EUT OPERATION CONDITIONS

The EUT tested system was configured as the statements of 2.4 Unless otherwise a special operating condition is specified in the follows during the testing.

**6.3.5 TEST RESULTS**

Frequency (MHz)	6dB Bandwidth (MHz)	Pass/Fail
802.11a		
5745	15.13	Pass
5785	15.36	Pass
5825	15.78	Pass
802.11n(HT20)		
5745	16.77	Pass
5785	15.43	Pass
5825	16.92	Pass
802.11n(HT40)		
5755	35.73	Pass
5795	36.29	Pass
802.11ac(VHT20)		
5745	16.32	Pass
5785	15.66	Pass
5825	16.34	Pass
802.11ac(VHT40)		
5755	35.70	Pass
5795	35.93	Pass
802.11ac(VHT80)		
5775	75.37	Pass

Test plot see Attachment C

6. MAXIMUM CONDUCTED OUTPUT POWER

6.1 LIMIT

For mobile and portable client devices in the 5.15-5.25 GHz band, the maximum conducted output power over the frequency band of operation shall not exceed 250 mW provided the maximum antenna gain does not exceed 6 dBi. If transmitting antennas of directional gain greater than 6 dBi are used, both the maximum conducted output power and the maximum power spectral density shall be reduced by the amount in dB that the directional gain of the antenna exceeds 6 dBi.

For the 5.25-5.35 GHz and 5.47-5.725 GHz bands, the maximum conducted output power over the frequency bands of operation shall not exceed the lesser of 250 mW or 11 dBm + 10 log B, where B is the 26 dB emission bandwidth in megahertz, If transmitting antennas of directional gain greater than 6 dBi are used.

For the band 5.725-5.85 GHz, the maximum conducted output power over the frequency band of operation shall not exceed 1 W. If transmitting antennas of directional gain greater than 6 dBi are used.

FCC Part15 (15.407) , Subpart E				
Section	Test Item	Limit	Frequency Range (MHz)	Result
15.407(a) (1) (iv)	Peak Output Power	0.25 watt	5150-5250	PASS
		The lesser of 250 mW or 11 dBm + 10 log (26 dB emission bandwidth)	5250-5350 5470-5725	
15.407(a) (3)		1 watt	5725-5825	

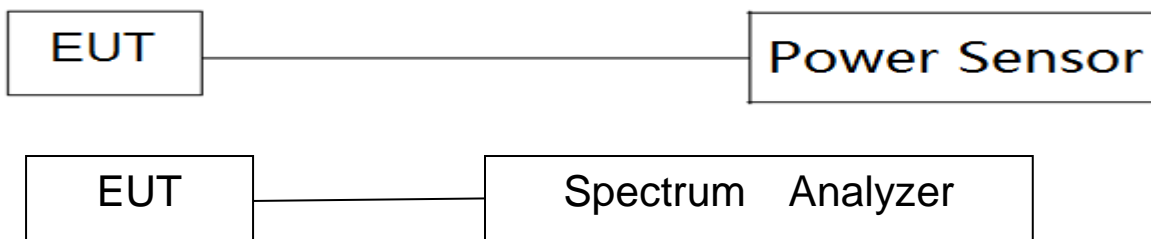
6.2 TEST PROCEDURE

The EUT was directly connected to the Power Sensor&PC

6.3 DEVIATION FROM STANDARD

No deviation.

6.4 TEST SETUP



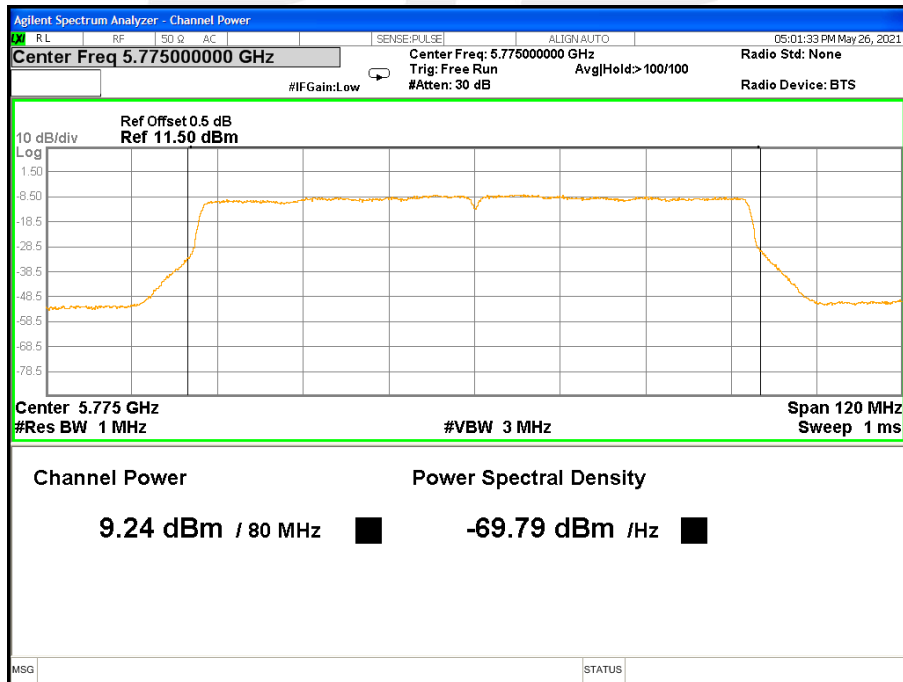
6.5 EUT OPERATION CONDITIONS

The EUT tested system was configured as the statements of 5 Unless otherwise a special operating condition is specified in the follows during the testing.



6.6 TEST RESULTS

Band IV (5.725-5.85GHz)					
Test Channel	Frequency (MHz)	Direct measurement AV Power (dBm)	Duty cycle factor (dB)	Final AV Power (dBm)	LIMIT (dBm)
802.11a					
149	5745	8.97	0.052	9.02	30.00
157	5785	8.81	0.052	8.86	30.00
165	5825	8.88	0.052	8.93	30.00
802.11n(HT20)					
149	5745	8.93	0.054	8.98	30.00
157	5785	8.79	0.054	8.84	30.00
165	5825	8.71	0.054	8.76	30.00
802.11n(HT40)					
151	5755	9.00	0.107	9.11	30.00
159	5795	8.91	0.107	9.02	30.00
802.11ac(VHT20)					
149	5745	8.92	0.055	8.98	30.00
157	5785	8.78	0.055	8.84	30.00
165	5825	8.71	0.055	8.77	30.00
802.11ac(VHT40)					
151	5755	8.99	0.093	9.08	30.00
159	5795	8.88	0.093	8.97	30.00
802.11ac(VHT80)					
155	5775	9.24	0.242	9.48	30.00



5775MHz



Duty cycle

Band4				
Mode	Ton(ms)	Tp(ms)	Duty cycle(%)	Duty factor(dB)
a	2.080	2.105	98.81%	0.052
n20	1.936	1.960	98.78%	0.054
n40	0.960	0.984	97.56%	0.107
ac20	1.950	1.975	98.73%	0.055
ac40	0.966	0.987	97.87%	0.093
ac80	0.472	0.499	94.59%	0.242





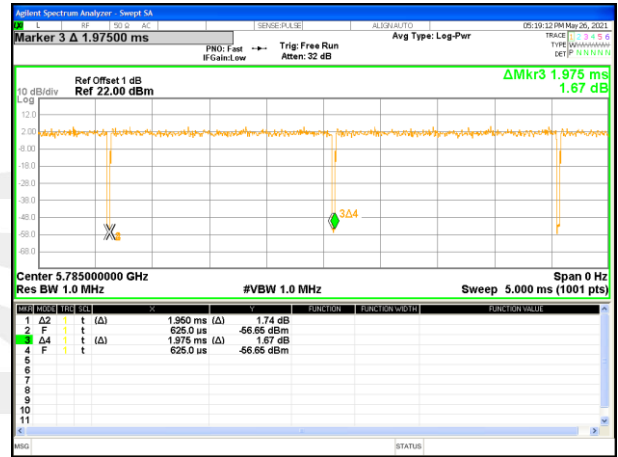
Band 4-a20



Band 4-n20



Band 4-n40



Band 4-ac20



Band 4-ac40



Band 4-ac80



7. AUTOMATICALLY DISCONTINUE TRANSMISSION

7.1 LIMIT OF AUTOMATICALLY DISCONTINUE TRANSMISSION

The device shall automatically discontinue transmission in case of either absence of information to transmit or operational failure. These provisions are not intended to preclude the transmission of control or signaling information or the use of repetitive codes used by certain digital technologies to complete frame or burst intervals. Applicants shall include in their application for equipment authorization to describe how this requirement is met.

7.2 TEST RESULT OF AUTOMATICALLY DISCONTINUE TRANSMISSION

During no any information transmission, the EUT can automatically discontinue transmission and become standby mode for power saving. The EUT can detect the controlling signal of ACK message transmitting from remote device and verify whether it shall resend or discontinue transmission.





8. ANTENNA REQUIREMENT

8.1 STANDARD REQUIREMENT

15.203 requirement: For intentional device, according to 15.203: an intentional radiator shall be designed to ensure that no antenna other than that furnished by the responsible party shall be used with the device.

8.2 EUT ANTENNA

The EUT antenna is PIFA Antenna. It comply with the standard requirement.





APPENDIX - PHOTOS OF TEST SETUP

Note: See test photos in setup photo document for the actual connections between Product and support equipment.

*****END OF THE REPORT*****

