



FCC CERTIFICATION REPORT

Test Report No. : MH/2020/30138
Applicant : FUJITSU CONNECTED TECHNOLOGIES Ltd.
Address : Chuorinkan 7-10-1 Yamato, Kanagawa 242-0007, Japan
Manufacturer : FUJITSU CONNECTED TECHNOLOGIES Ltd.
Address : Chuorinkan 7-10-1 Yamato, Kanagawa 242-0007, Japan

Equipment Under Test (EUT) :

Product Name : Smart Phone
Brand Name : FUJITSU
Model No. : F-42A
Added Model(s) : N/A

Standards : FCC Part 15 Subpart B, Class B

FCC Designation Numbers : 916890 / TW1087

Date of Sample Receipt : Apr. 14th, 2020

Date of Test : Apr. 22th ~ 24th, 2020

Date of Issue : May 11th, 2020

Test Result :	PASS
----------------------	-------------

In the configuration tested, the EUT complied with the standards specified above.

Remarks :

This report details the results of the testing carried out on one sample, the results contained in this test report do not relate to other samples of the same product. The manufacturer should ensure that all products in series production are in conformity with the product sample detailed in this report.

This report may only be reproduced and distributed in full. If the product in this report is used in any configuration other than that detailed in the report, the manufacturer must ensure the new system complies with all relevant standards. Any mention of SGS Taiwan Electronics & Communication Laboratory or testing done by SGS Taiwan Electronics & Communication Laboratory in connection with distribution or use of the product described in this report must be approved by SGS Taiwan Electronics & Communication Laboratory in writing.

Approved By

Date

May 11th, 2020

Eddy Cheng (Asst. Supervisor)



Unless otherwise stated the results shown in this test report refer only to the sample(s) tested and such sample(s) are retained for 90 days only.
 除非另有說明，此報告結果僅對測試之樣品負責，同時此樣品僅保留90天。本報告未經本公司書面許可，不可部份複製。

This document is issued by the Company subject to its General Conditions of Service printed overleaf, available on request or accessible at <http://www.sgs.com.tw/Terms-and-Conditions> and for electronic format documents, subject to Terms and Conditions for Electronic Documents at <http://www.sgs.com.tw/Terms-and-Conditions>. Attention is drawn to the limitation of liability, indemnification and jurisdiction issues defined therein. Any holder of this document is advised that information contained hereon reflects the Company's findings at the time of its intervention only and within the limits of Client's instructions, if any. The Company's sole responsibility is to its Client and this document does not exonerate parties to a transaction from exercising all their rights and obligations under the transaction documents. This document cannot be reproduced except in full, without prior written approval of the Company. Any unauthorized alteration, forgery or falsification of the content or appearance of this document is unlawful and offenders may be prosecuted to the fullest extent of the law.

SGS Taiwan Ltd.

No.134,Wu Kung Road, New Taipei Industrial Park, Wuku District, New Taipei City, Taiwan/新北市五股區新北產業園區五工路 134 號

台灣檢驗科技股份有限公司

t (886-2) 2299-3279

f (886-2) 2298-0488

www.sgs.com.tw

Member of SGS Group



Revision History

Revision	Description	Issue Date	Remark
00	Original.	May 11th, 2020	MH/2020/30138

Unless otherwise stated the results shown in this test report refer only to the sample(s) tested and such sample(s) are retained for 90 days only.

除非另有說明，此報告結果僅對測試之樣品負責，同時此樣品僅保留90天。本報告未經本公司書面許可，不可部份複製。

This document is issued by the Company subject to its General Conditions of Service printed overleaf, available on request or accessible at <http://www.sgs.com.tw/Terms-and-Conditions> and for electronic format documents, subject to Terms and Conditions for Electronic Documents at <http://www.sgs.com.tw/Terms-and-Conditions>. Attention is drawn to the limitation of liability, indemnification and jurisdiction issues defined therein. Any holder of this document is advised that information contained hereon reflects the Company's findings at the time of its intervention only and within the limits of Client's instructions, if any. The Company's sole responsibility is to its Client and this document does not exonerate parties to a transaction from exercising all their rights and obligations under the transaction documents. This document cannot be reproduced except in full, without prior written approval of the Company. Any unauthorized alteration, forgery or falsification of the content or appearance of this document is unlawful and offenders may be prosecuted to the fullest extent of the law.

SGS Taiwan Ltd.

No.134,Wu Kung Road, New Taipei Industrial Park, Wuku District, New Taipei City, Taiwan/新北市五股區新北產業園區五工路 134 號

台灣檢驗科技股份有限公司

t (886-2) 2299-3279

f (886-2) 2298-0488

www.sgs.com.tw

Member of SGS Group



Contents

1. GENERAL INFORMATION	4
1.1 APPLICANT & MANUFACTURER INFORMATION	4
1.2 GENERAL DESCRIPTION OF EUT	4
1.3 DETAILS OF EUT	4
1.4 OPERATION PROCEDURE	6
1.5 DESCRIPTION OF SUPPORT UNITS	6
1.6 MODIFICATION LIST	7
1.7 ACCESSORIES CABLE LIST	7
1.8 TEST SET-UP CONFIGURATION.....	7
1.9 MEASUREMENT PROCEDURE	8
1.10 STANDARDS APPLICABLE FOR TESTING.....	8
1.11 DECISION RULES OF RESULTS.....	8
1.12 SUMMARY OF RESULTS.....	8
1.13 REPORTING STATEMENTS OF CONFORMITY.....	8
2. EMISSION	9
2.1 TEST RESULTS	9
2.2 FREQUENCY RANGE.....	9
2.3 LIMITS OF CONDUCTED AND RADIATED EMISSION	9
2.3.1 LIMITS OF CONDUCTED EMISSION	9
2.3.2 LIMITS OF RADIATED EMISSIONS.....	10
2.4. TEST OF CONDUCTED EMISSION.....	11
2.4.1 TEST EQUIPMENTS	11
2.4.2 OPERATING ENVIRONMENT	11
2.4.3 MEASUREMENT LEVEL CALCULATION.....	11
2.4.4 MEASUREMENT DATA:.....	12
2.5 TEST OF RADIATED EMISSION.....	14
2.5.1 TEST EQUIPMENTS	14
2.5.2 OPERATING ENVIRONMENT	15
2.5.3 MEASUREMENT LEVEL CALCULATION.....	15
2.5.4 MEASUREMENT DATA.....	16
3. PHOTOGRAPHS OF TEST	22

Unless otherwise stated the results shown in this test report refer only to the sample(s) tested and such sample(s) are retained for 90 days only.
 除非另有說明，此報告結果僅對測試之樣品負責，同時此樣品僅保留90天。本報告未經本公司書面許可，不可部份複製。

This document is issued by the Company subject to its General Conditions of Service printed overleaf, available on request or accessible at <http://www.sgs.com.tw/Terms-and-Conditions> and for electronic format documents, subject to Terms and Conditions for Electronic Documents at <http://www.sgs.com.tw/Terms-and-Conditions>. Attention is drawn to the limitation of liability, indemnification and jurisdiction issues defined therein. Any holder of this document is advised that information contained hereon reflects the Company's findings at the time of its intervention only and within the limits of Client's instructions, if any. The Company's sole responsibility is to its Client and this document does not exonerate parties to a transaction from exercising all their rights and obligations under the transaction documents. This document cannot be reproduced except in full, without prior written approval of the Company. Any unauthorized alteration, forgery or falsification of the content or appearance of this document is unlawful and offenders may be prosecuted to the fullest extent of the law.



1. General Information

1.1 Applicant & Manufacturer Information

Applicant : FUJITSU CONNECTED TECHNOLOGIES Ltd.
 Address of Applicant : Chuorinkan 7-10-1 Yamato, Kanagawa 242-0007,
 Japan
 Manufacturer : FUJITSU CONNECTED TECHNOLOGIES Ltd.
 Address of Manufacturer : Chuorinkan 7-10-1 Yamato, Kanagawa 242-0007,
 Japan

1.2 General Description of EUT

Product Name : Smart Phone
 Brand Name : FUJITSU
 Model No. : F-42A
 Added Model(s) : N/A
 Model Difference : N/A

1.3 Details of EUT

Power Supply : From Battery & AC 100~240V, 50~60Hz
 Modes/Function :
 Mode 1. ADP + Earphone + WiFi Link(2.4G) +
 NFC OFF + BT Link + GPS/Glonass Link
 + SD Card + GSM : 850 Link
 Mode 2. ADP + Earphone + WiFi Idle + NFC OFF
 + BT Idle + GPS/Glonass Idle + SD Card
 + GSM : 1900 Idle
 Mode 3. WiFi Link(2.4G) + NFC ON(Standalone)
 + BT Link + GPS/Glonass Link + SD
 Card + GSM : 850/1900 (Worst) Single
 Mode 4. ADP + Earphone + WiFi Idle + NFC OFF
 + BT Idle + GPS/Glonass Idle + SD Card
 + WCDMA : B V Link
 Mode 5. ADP + Earphone + WiFi Link(5G) + NFC
 OFF + BT Link + GPS/Glonass Link + SD
 Card + LTE : B V Link

Unless otherwise stated the results shown in this test report refer only to the sample(s) tested and such sample(s) are retained for 90 days only.
 除非另有說明，此報告結果僅對測試之樣品負責，同時此樣品僅保留90天。本報告未經本公司書面許可，不可部份複製。

This document is issued by the Company subject to its General Conditions of Service printed overleaf, available on request or accessible at <http://www.sgs.com.tw/Terms-and-Conditions> and for electronic format documents, subject to Terms and Conditions for Electronic Documents at <http://www.sgs.com.tw/Terms-and-Conditions>. Attention is drawn to the limitation of liability, indemnification and jurisdiction issues defined therein. Any holder of this document is advised that information contained hereon reflects the Company's findings at the time of its intervention only and within the limits of Client's instructions, if any. The Company's sole responsibility is to its Client and this document does not exonerate parties to a transaction from exercising all their rights and obligations under the transaction documents. This document cannot be reproduced except in full, without prior written approval of the Company. Any unauthorized alteration, forgery or falsification of the content or appearance of this document is unlawful and offenders may be prosecuted to the fullest extent of the law.



- Mode 6. ADP + Earphone + Camera Rear REC + Worst WiFi (5G/2.4G) Link + NFC OFF + BT Stand by + GPS/Glonass Link + SD Card
- Mode 7. ADP + Earphone + Camera Front REC+ Worst WiFi (5G/2.4G) Link + NFC OFF + BT Stand by + GPS/Glonass Link+ SD Card
- Mode 8. Worst WiFi (5G/2.4G) Link + BT Link + GPS/Glonass Link + Earphone + SD Card + USB Cable to NB(SD Write)
- Mode 9. Worst WiFi (5G/2.4G) Link + BT Link + GPS/Glonass Link + Earphone + SD Card + USB Cable to NB(SD Read)
- Mode 10. For Audio breakthrough measurement (worst mode 2G/3G) NO Earphone

Worst case

: CE worst case :

- Mode 1. ADP + Earphone + WiFi Link(2.4G) + NFC OFF + BT Link + GPS/Glonass Link + SD Card + GSM : 850 Link

Below / Above RE worst case :

- Mode 8. Worst WiFi (5G/2.4G) Link + BT Link + GPS/Glonass Link + Earphone + SD Card + USB Cable to NB(SD Write)

Battery

: Model No.: CA54310-0075

Supplier : FUJITSU CONNECTED
TECHNOLOGIES LIMITED

3.8V, 2110mAh, 8.1Wh

Highest internal frequency

: 5725MHz

Unless otherwise stated the results shown in this test report refer only to the sample(s) tested and such sample(s) are retained for 90 days only.
除非另有說明，此報告結果僅對測試之樣品負責，同時此樣品僅保留90天。本報告未經本公司書面許可，不可部份複製。

This document is issued by the Company subject to its General Conditions of Service printed overleaf, available on request or accessible at <http://www.sgs.com.tw/Terms-and-Conditions> and for electronic format documents, subject to Terms and Conditions for Electronic Documents at <http://www.sgs.com.tw/Terms-and-Conditions>. Attention is drawn to the limitation of liability, indemnification and jurisdiction issues defined therein. Any holder of this document is advised that information contained hereon reflects the Company's findings at the time of its intervention only and within the limits of Client's instructions, if any. The Company's sole responsibility is to its Client and this document does not exonerate parties to a transaction from exercising all their rights and obligations under the transaction documents. This document cannot be reproduced except in full, without prior written approval of the Company. Any unauthorized alteration, forgery or falsification of the content or appearance of this document is unlawful and offenders may be prosecuted to the fullest extent of the law.



1.4 Operation Procedure

Mode 1

1. Let EUT install SIM Card & SD Card in EUT, connect to Adapter & Earphone.
2. Turn on WiFi and AP connection of EUT, turn on Bluetooth and Bluetooth speaker, turn off NFC, turn on GPS and connects with GPS simulator, plays 1KHz in SD Card.
3. Turn on GSM and connect with CMU200 (GSM850).
4. Start testing.

Mode 8

1. Let EUT connect to the NB with USB Cable and connect to the Earphone.
2. Turn on WiFi and AP connection of EUT, turn on Bluetooth and Bluetooth speakers, turn on GPS and connect with GPS simulator, SD Card Write NB data.
3. Start the test.

1.5 Description of Support Units

PRODUCT	MANUFACTURER	MODEL NO.	SERIAL NO.
Micro SD	Transcend	Micro SDHC (Class4)	N/A
SIM Card	R&S	CMW-Z05	8952530076180138474
BT Speaker	Creative	MF8090	YFMF8090245R00855Y
Radio Communication Analyzer	R&S	CMU200	102189
Radio Communication Analyzer	R&S	CMU500	1201.002K50-152303-Zr
AP	BUFFALO	WZR-HP-G300NH2	44066221202559[[G]]
GPS Signal Generator	Spectracom	GSG53 GNSS4	200218
Earphone	HTC	N/A	N/A
Notebook	Lenovo	TP00109A	SL10N19265
Adapter	HOSIDEN	AC アダプタ 06	N/A

Support Equipment Used in Tested Cable

Cable Type	Core	Length	Shielding/Non-shielding
DC power cable	Near AE	1.15m	Shielding
USB cable	N/A	1m	Shielding
Earphone cable	N/A	1.8m	Non-shielding

Unless otherwise stated the results shown in this test report refer only to the sample(s) tested and such sample(s) are retained for 90 days only.

除非另有說明，此報告結果僅對測試之樣品負責，同時此樣品僅保留90天。本報告未經本公司書面許可，不可部份複製。

This document is issued by the Company subject to its General Conditions of Service printed overleaf, available on request or accessible at <http://www.sgs.com.tw/Terms-and-Conditions> and for electronic format documents, subject to Terms and Conditions for Electronic Documents at <http://www.sgs.com.tw/Terms-and-Conditions>. Attention is drawn to the limitation of liability, indemnification and jurisdiction issues defined therein. Any holder of this document is advised that information contained hereon reflects the Company's findings at the time of its intervention only and within the limits of Client's instructions, if any. The Company's sole responsibility is to its Client and this document does not exonerate parties to a transaction from exercising all their rights and obligations under the transaction documents. This document cannot be reproduced except in full, without prior written approval of the Company. Any unauthorized alteration, forgery or falsification of the content or appearance of this document is unlawful and offenders may be prosecuted to the fullest extent of the law.

SGS Taiwan Ltd.

No.134,Wu Kung Road, New Taipei Industrial Park, Wuku District, New Taipei City, Taiwan/新北市五股區新北產業園區五工路 134 號

台灣檢驗科技股份有限公司

t (886-2) 2299-3279

f (886-2) 2298-0488

www.sgs.com.tw

Member of SGS Group



1.6 Modification List

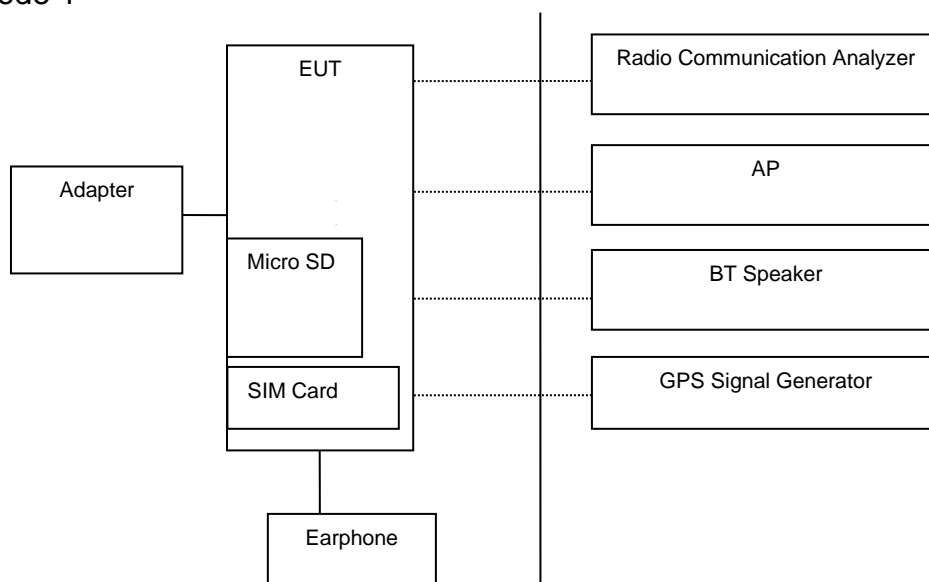
No modification was made by SGS Taiwan Electronics & Communication Laboratory.

1.7 Accessories Cable List

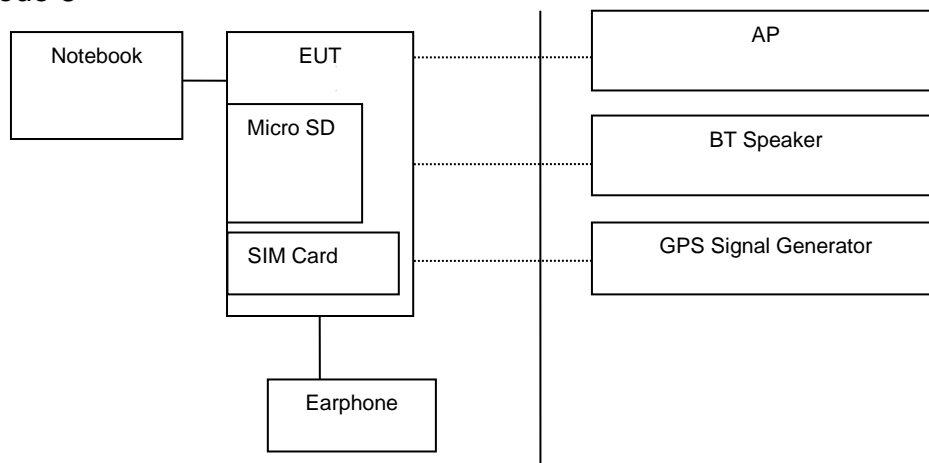
Cable Type	Core	Length	Shielding/Non-shielding
N/A	N/A	N/A	N/A

1.8 Test Set-Up Configuration

Mode 1



Mode 8



Unless otherwise stated the results shown in this test report refer only to the sample(s) tested and such sample(s) are retained for 90 days only.

除非另有說明，此報告結果僅對測試之樣品負責，同時此樣品僅保留90天。本報告未經本公司書面許可，不可部份複製。
 This document is issued by the Company subject to its General Conditions of Service printed overleaf, available on request or accessible at <http://www.sgs.com.tw/Terms-and-Conditions> and for electronic format documents, subject to Terms and Conditions for Electronic Documents at <http://www.sgs.com.tw/Terms-and-Conditions>. Attention is drawn to the limitation of liability, indemnification and jurisdiction issues defined therein. Any holder of this document is advised that information contained hereon reflects the Company's findings at the time of its intervention only and within the limits of Client's instructions, if any. The Company's sole responsibility is to its Client and this document does not exonerate parties to a transaction from exercising all their rights and obligations under the transaction documents. This document cannot be reproduced except in full, without prior written approval of the Company. Any unauthorized alteration, forgery or falsification of the content or appearance of this document is unlawful and offenders may be prosecuted to the fullest extent of the law.



1.9 Measurement Procedure

Conducted Emission Testing was performed according to ANSI C63.4:2014 in a shielded room with peripherals placed on a table, 0.8m high over a metal floor. It was located more than required distance away from the shielded room wall.

Radiated Emission Testing was performed according to ANSI C63.4:2014 at the 3/10m semi-anechoic chamber. The EUT was placed on a 0.8m high table along with the peripherals. The turn table was placed 10m distance from the antenna. Cables were placed in a position to produce maximum emissions as determined by experimentation, and operation mode was selected for production of maximum emission.

The frequencies and amplitudes of maximum emission were measured at varying azimuths, antenna heights and antenna polarities. Maximum emission levels are then reported.

1.10 Standards Applicable for Testing

Tests to be carried out under FCC Part 15 Subpart B/CISPR 22

Test Standards	Status
FCC Part 15 Subpart B/ CISPR 22	Applicable
Deviation from Standard	No deviation

1.11 Decision Rules of Results

Reported measurement data comply with ANSI C63.4:2014

Determining compliance shall be based on the results of the compliance measurement, not taking into account measurement instrumentation uncertainty.

1.12 Summary of Results

Highest Emission					
Standard	Test Type	Result	Phase/Pol.	Frequency(MHz)	Margin(dB)
FCC Part 15 Subpart B Class B	Conducted Emission	PASS	Line	0.5220	-10.73 (AVG)
			Neutral	13.5700	-11.39 (peak)
	Radiated Emission	PASS	Ver.	999.8320	-2.03 (QP)

1.13 Reporting Statements of Conformity

The conformity statement in this report is based solely on the test results, measurement uncertainty is excluded.

Unless otherwise stated the results shown in this test report refer only to the sample(s) tested and such sample(s) are retained for 90 days only.
除非另有說明，此報告結果僅對測試之樣品負責，同時此樣品僅保留90天。本報告未經本公司書面許可，不可部份複製。

This document is issued by the Company subject to its General Conditions of Service printed overleaf, available on request or accessible at <http://www.sgs.com.tw/Terms-and-Conditions> and for electronic format documents, subject to Terms and Conditions for Electronic Documents at <http://www.sgs.com.tw/Terms-and-Conditions>. Attention is drawn to the limitation of liability, indemnification and jurisdiction issues defined therein. Any holder of this document is advised that information contained hereon reflects the Company's findings at the time of its intervention only and within the limits of Client's instructions, if any. The Company's sole responsibility is to its Client and this document does not exonerate parties to a transaction from exercising all their rights and obligations under the transaction documents. This document cannot be reproduced except in full, without prior written approval of the Company. Any unauthorized alteration, forgery or falsification of the content or appearance of this document is unlawful and offenders may be prosecuted to the fullest extent of the law.

SGS Taiwan Ltd.

No.134,Wu Kung Road, New Taipei Industrial Park, Wuku District, New Taipei City, Taiwan/新北市五股區新北產業園區五工路 134 號

台灣檢驗科技股份有限公司

t (886-2) 2299-3279

f (886-2) 2298-0488

www.sgs.com.tw

Member of SGS Group



2. EMISSION

2.1 Test Results

	Results
Conducted Emission	Pass
Radiated Emission	Pass

2.2 Frequency Range

FCC Part 15 Subpart B:

Conducted Emission : 150 kHz - 30 MHz

Radiated Emission : See below table

Highest frequency generated or Upper frequency of measurement
used in the device or on which the range (MHz)
device operates or tunes (MHz)

Below 1.705	30
1.705 - 108	1000
108 - 500	2000
500 - 1000	5000
Above 1000	5th harmonic of the highest frequency or 40 GHz, whichever is lower

2.3 Limits of Conducted and Radiated Emission

2.3.1 Limits of Conducted Emission

FCC Part 15 Subpart B/CISPR 22:

FREQUENCY (MHz)	Class A (dBuV)		Class B (dBuV)	
	Quasi - peak	Average	Quasi - peak	Average
0.15 - 0.5	79	66	66 - 56	56 - 46
0.50 - 5.0	73	60	56	46
5.0 - 30.0	73	60	60	50

Note : (1) The lower limit shall apply at the transition frequencies.

(2) The limit decreases linearly with the logarithm of the frequency in the range 0.15 to 0.50 MHz.

(3) All emanation from a class A/B digital device or system, including any network of conductors and apparatus connected there to, shall not exceed the level of field strengths specified above.

Unless otherwise stated the results shown in this test report refer only to the sample(s) tested and such sample(s) are retained for 90 days only.
除非另有說明，此報告結果僅對測試之樣品負責，同時此樣品僅保留90天。本報告未經本公司書面許可，不可部份複製。

This document is issued by the Company subject to its General Conditions of Service printed overleaf, available on request or accessible at <http://www.sgs.com.tw/Terms-and-Conditions> and for electronic format documents, subject to Terms and Conditions for Electronic Documents at <http://www.sgs.com.tw/Terms-and-Conditions>. Attention is drawn to the limitation of liability, indemnification and jurisdiction issues defined therein. Any holder of this document is advised that information contained hereon reflects the Company's findings at the time of its intervention only and within the limits of Client's instructions, if any. The Company's sole responsibility is to its Client and this document does not exonerate parties to a transaction from exercising all their rights and obligations under the transaction documents. This document cannot be reproduced except in full, without prior written approval of the Company. Any unauthorized alteration, forgery or falsification of the content or appearance of this document is unlawful and offenders may be prosecuted to the fullest extent of the law.



2.3.2 Limits of Radiated Emissions

FCC Part 15 Subpart B Limit:

- Detector Function : Quasi – Peak

FREQUENCY (MHz)	Class A (at 10 m)	Class B (at 3 m)
	dBuV/m	dBuV/m
30~88	39	40
88~216	43.5	43.5
216~960	46.4	46
960~1000	49.5	54

- Detector Function : Peak , Average

FREQUENCY (MHz)	Class A (dBuV/m) (at 10 m)		Class B (dBuV/m) (at 3 m)	
	Peak	Average	Peak	Average
Above 1000	69.5	49.5	74	54

CISPR 22 Limit:

- Detector Function : Quasi – Peak

FREQUENCY (MHz)	Class A (at 10 m)	Class B (at 10 m)
	dBuV/m	dBuV/m
30~230	40	30
230~1000	47	37

NOTE 1 The lower limit shall apply at the transition frequency.

NOTE 2 Additional provisions may be required for cases where interference occurs.

FREQUENCY (GHz)	Class A (dBuV/m) (at 3 m)		Class B (dBuV/m) (at 3 m)	
	Average	Peak	Average	Peak
1~3	56	76	50	70
3~6	60	80	54	74

NOTE The lower limit applies at the transition frequency.

Unless otherwise stated the results shown in this test report refer only to the sample(s) tested and such sample(s) are retained for 90 days only.
除非另有說明，此報告結果僅對測試之樣品負責，同時此樣品僅保留90天。本報告未經本公司書面許可，不可部份複製。

This document is issued by the Company subject to its General Conditions of Service printed overleaf, available on request or accessible at <http://www.sgs.com.tw/Terms-and-Conditions> and for electronic format documents, subject to Terms and Conditions for Electronic Documents at <http://www.sgs.com.tw/Terms-and-Conditions>. Attention is drawn to the limitation of liability, indemnification and jurisdiction issues defined therein. Any holder of this document is advised that information contained hereon reflects the Company's findings at the time of its intervention only and within the limits of Client's instructions, if any. The Company's sole responsibility is to its Client and this document does not exonerate parties to a transaction from exercising all their rights and obligations under the transaction documents. This document cannot be reproduced except in full, without prior written approval of the Company. Any unauthorized alteration, forgery or falsification of the content or appearance of this document is unlawful and offenders may be prosecuted to the fullest extent of the law.



2.4. Test of Conducted Emission

2.4.1 Test Equipments

SGS Conducted_Emission HWAYA Conducted Room No.A_EMC					
EQUIPMENT TYPE	Manufacturer	Model Number	Serial Number	Calibration Date	Calibration Due
EMI Test Receiver	R&S	ESCI 3	101311	Jul. 02th, 2019	Jul. 01th, 2020
Coaxial Cables	EMC Instruments Corp	EMCRG58-BM-BM-3000	160812	Aug. 12th, 2019	Aug. 11th, 2020
Pulse Limiter	Narda S.T.S.	PMM PL01	1110X30602	Aug. 12th, 2019	Aug. 11th, 2020
LISN	Schwarzbeck	NSLK 8127	8127-648	Jul. 12th, 2019	Jul. 11th, 2020
LISN	Schwarzbeck	NSLK 8128	NSLK8128-300	Sep. 16th, 2019	Sep. 15th, 2020
Communication Tester	R&S	CMU 200	119988	Feb. 22th, 2020	Feb. 21th, 2021
Communication Tester	R&S	CMW 500	152303	Feb. 24th, 2020	Feb. 23th, 2021
Communication Tester	Anritsu	MT8820C	6201465315	N.C.R.	N.C.R.
Test S/W	Farad	EZ-EMC	Ver. SGS-03A2-3	N.C.R.	N.C.R.

SGS Taiwan LTD. Electronics & Communication Laboratory
 No.2, Keji 1st Rd., Guishan District, Taoyuan City, Taiwan (R.O.C.)
 Measurement Uncertainty of Conducted Emission
 Expanded uncertainty Ulab(K=2) of conducted emission is 2.25 dB
 Theory values uncertainty Ucispr 16-4-2 :2011+A1_2014 (K=2) of AC mains conducted Emission is 3.44dB

2.4.2 Operating Environment

Temperature : 20 degree C

Humidity : 61 %RH

Atmospheric Pressure : 990 hpa

2.4.3 Measurement Level Calculation

Factor = LISN insertion loss + Cable loss + Pulse Limiter Insertion Loss

Measurement Level = Reading Level + Factor

Over (Margin) = Measurement Level – Limit

Unless otherwise stated the results shown in this test report refer only to the sample(s) tested and such sample(s) are retained for 90 days only.
 除非另有說明，此報告結果僅對測試之樣品負責，同時此樣品僅保留90天。本報告未經本公司書面許可，不可部份複製。

This document is issued by the Company subject to its General Conditions of Service printed overleaf, available on request or accessible at <http://www.sgs.com.tw/Terms-and-Conditions> and for electronic format documents, subject to Terms and Conditions for Electronic Documents at <http://www.sgs.com.tw/Terms-and-Conditions>. Attention is drawn to the limitation of liability, indemnification and jurisdiction issues defined therein. Any holder of this document is advised that information contained hereon reflects the Company's findings at the time of its intervention only and within the limits of Client's instructions, if any. The Company's sole responsibility is to its Client and this document does not exonerate parties to a transaction from exercising all their rights and obligations under the transaction documents. This document cannot be reproduced except in full, without prior written approval of the Company. Any unauthorized alteration, forgery or falsification of the content or appearance of this document is unlawful and offenders may be prosecuted to the fullest extent of the law.



2.4.4 Measurement Data:

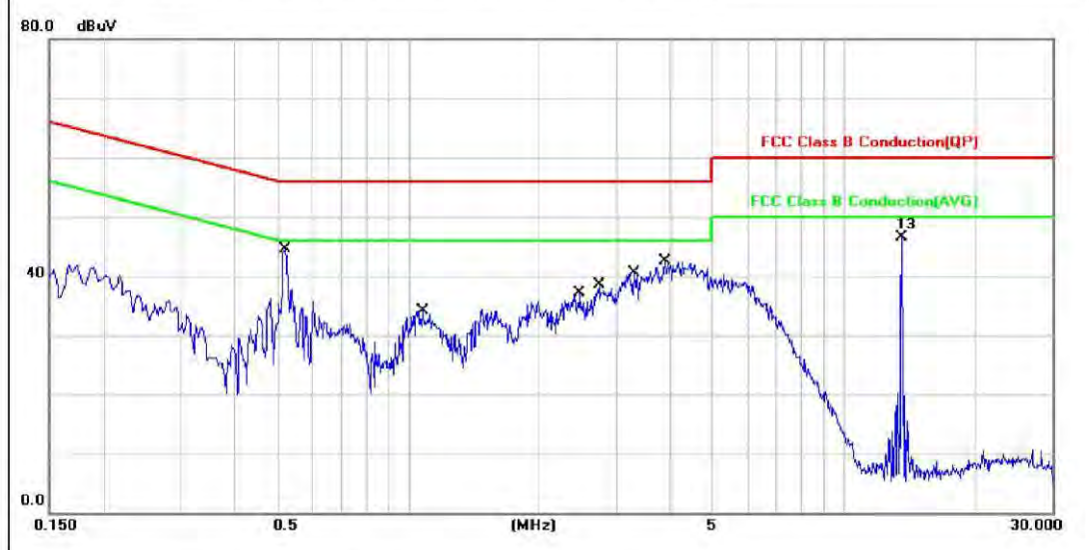
Model No.: F-42A

Mode_1_L

Site: Conduction Room A	Date: 2020/4/24	Time: 下午 08:39:04
Limit: FCC Class B Conduction(QP)	Phase: L1	Temperature: 20 ℃
Mode: Mode 1	Power: AC120V/60Hz	Humidity: 61 %RH
Report: MH-2020-30138		Air Pressure: 990 hpa
Tester: Jeffrey Chou		

Note:

SGS Taiwan Ltd.-Electronics & Communication Laboratory Address: No.2, Keji 1st Rd., Guishan District, Taoyuan City, Taiwan 333



No.	Mk	Freq. (MHz)	Reading (dBuV)	Factor (dB)	Measurement (dBuV)	Limit (dBuV)	Over (dB)	Detector	Comment
1		0.5220	42.09	0.13	42.22	56.00	-13.78	QP	
2	*	0.5220	35.14	0.13	35.27	46.00	-10.73	AVG	
3		1.0820	31.03	0.24	31.27	56.00	-24.73	QP	
4		1.0820	20.22	0.24	20.46	46.00	-25.54	AVG	
5		2.4780	32.62	0.27	32.89	56.00	-23.11	QP	
6		2.4780	20.84	0.27	21.11	46.00	-24.89	AVG	
7		2.7500	34.00	0.28	34.28	56.00	-21.72	QP	
8		2.7500	21.75	0.28	22.03	46.00	-23.97	AVG	
9		3.3100	35.37	0.29	35.66	56.00	-20.34	QP	
10		3.3100	23.62	0.29	23.91	46.00	-22.09	AVG	
11		3.8940	36.20	0.31	36.51	56.00	-19.49	QP	
12		3.8940	23.56	0.31	23.87	46.00	-22.13	AVG	
13		13.5580	45.90	0.65	46.55	60.00	-13.45	peak	NFC Signal

*:Maximum data x:Over limit !:over margin

Unless otherwise stated the results shown in this test report refer only to the sample(s) tested and such sample(s) are retained for 90 days only. 除非另有說明，此報告結果僅對測試之樣品負責，同時此樣品僅保留90天。本報告未經本公司書面許可，不可部份複製。

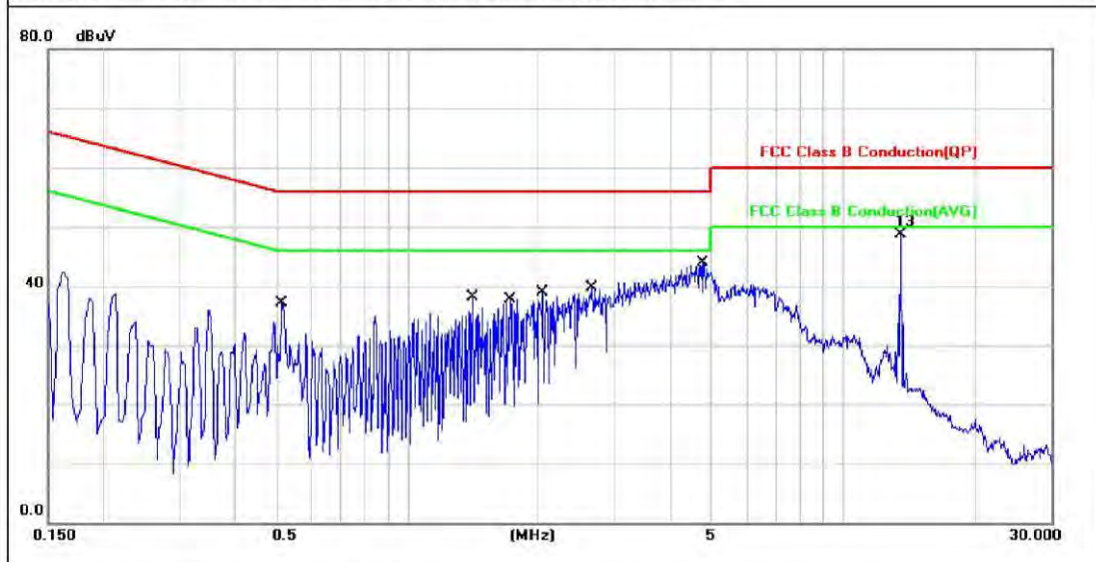
This document is issued by the Company subject to its General Conditions of Service printed overleaf, available on request or accessible at <http://www.sgs.com.tw/Terms-and-Conditions> and for electronic format documents, subject to Terms and Conditions for Electronic Documents at <http://www.sgs.com.tw/Terms-and-Conditions>. Attention is drawn to the limitation of liability, indemnification and jurisdiction issues defined therein. Any holder of this document is advised that information contained hereon reflects the Company's findings at the time of its intervention only and within the limits of Client's instructions, if any. The Company's sole responsibility is to its Client and this document does not exonerate parties to a transaction from exercising all their rights and obligations under the transaction documents. This document cannot be reproduced except in full, without prior written approval of the Company. Any unauthorized alteration, forgery or falsification of the content or appearance of this document is unlawful and offenders may be prosecuted to the fullest extent of the law.

Mode_1_N

Site: Conduction Room A	Date: 2020/4/24	Time: 下午 08:28:30
Limit: FCC Class B Conduction(QP)	Phase: N	Temperature: 20 ℃
Mode: Mode 1	Power: AC120V/60Hz	Humidity: 61 %RH
Report: MH-2020-30138		Air Pressure: 990 hpa
Tester: Jeffrey Chou		

Note:

SGS Taiwan Ltd.-Electronics & Communication Laboratory Address: No.2, Keji 1st Rd., Guishan District, Taoyuan City, Taiwan 333



No.	Mk	Freq. (MHz)	Reading (dBuV)	Factor (dB)	Measurement (dBuV)	Limit (dBuV)	Over (dB)	Detector	Comment
1		0.5180	33.44	0.11	33.55	56.00	-22.45	QP	
2		0.5180	22.03	0.11	22.14	46.00	-23.86	AVG	
3		1.4140	33.46	0.23	33.69	56.00	-22.31	QP	
4		1.4140	20.99	0.23	21.22	46.00	-24.78	AVG	
5		1.7340	33.18	0.24	33.42	56.00	-22.58	QP	
6		1.7340	19.60	0.24	19.84	46.00	-26.16	AVG	
7		2.0500	34.69	0.24	34.93	56.00	-21.07	QP	
8		2.0500	21.05	0.24	21.29	46.00	-24.71	AVG	
9		2.6620	34.95	0.25	35.20	56.00	-20.80	QP	
10		2.6620	21.66	0.25	21.91	46.00	-24.09	AVG	
11		4.7740	39.57	0.28	39.85	56.00	-16.15	QP	
12		4.7740	26.45	0.28	26.73	46.00	-19.27	AVG	
13	*	13.5700	48.16	0.45	48.61	60.00	-11.39	peak	NFC Signal

*:Maximum data x:Over limit !:over margin

Unless otherwise stated the results shown in this test report refer only to the sample(s) tested and such sample(s) are retained for 90 days only.
 除非另有說明，此報告結果僅對測試之樣品負責，同時此樣品僅保留90天。本報告未經本公司書面許可，不可部份複製。
 This document is issued by the Company subject to its General Conditions of Service printed overleaf, available on request or accessible at <http://www.sgs.com.tw/Terms-and-Conditions> and for electronic format documents, subject to Terms and Conditions for Electronic Documents at <http://www.sgs.com.tw/Terms-and-Conditions>. Attention is drawn to the limitation of liability, indemnification and jurisdiction issues defined therein. Any holder of this document is advised that information contained hereon reflects the Company's findings at the time of its intervention only and within the limits of Client's instructions, if any. The Company's sole responsibility is to its Client and this document does not exonerate parties to a transaction from exercising all their rights and obligations under the transaction documents. This document cannot be reproduced except in full, without prior written approval of the Company. Any unauthorized alteration, forgery or falsification of the content or appearance of this document is unlawful and offenders may be prosecuted to the fullest extent of the law.



2.5 Test of Radiated Emission

2.5.1 Test Equipments

Below 1GHz

SGS Radiated_Below_1GHz HWAYA 10m_EMC					
EQUIPMENT TYPE	Manufacturer	Model Number	Serial Number	Calibration Date	Calibration Due
EMI Test Receiver	R&S	ESCI 7	100950	Dec. 11th, 2019	Dec. 10th, 2020
EMI Test Receiver	R&S	ESCI 3	101343	Feb. 17th, 2020	Feb. 16th, 2021
Broadband Antenna	SCHWAZBECK	VULB9168	9168-628	Sep. 09th, 2019	Sep. 08th, 2020
Broadband Antenna	SCHWAZBECK	VULB9168	9168-629	Sep. 09th, 2019	Sep. 08th, 2020
Pre Amplifier	EMC Instruments Corp.	EMC330	980178	Mar. 31th, 2020	Mar. 30th, 2021
Pre Amplifier	EMC Instruments Corp.	EMC330	980179	Mar. 31th, 2020	Mar. 30th, 2021
Coaxial Cable	EMC Instruments	EMCCFD400-NM-NM	150917	Sep. 18th, 2019	Sep. 17th, 2020
Coaxial Cable	EMC Instruments	EMCCFD400-NM-NM	150919	Sep. 18th, 2019	Sep. 17th, 2020
Coaxial Cable	EMC Instruments	EMCCFD400-NM-NM	150820	Sep. 18th, 2019	Sep. 17th, 2020
Coaxial Cable	EMC Instruments	EMCCFD400-NM-NM	150918	Sep. 18th, 2019	Sep. 17th, 2020
Coaxial Cable	EMC Instruments	EMCCFD400-NM-NM	150821	Sep. 18th, 2019	Sep. 17th, 2020
Coaxial Cable	EMC Instruments	EMCCFD400-NM-NM	150822	Sep. 18th, 2019	Sep. 17th, 2020
Universal Digital Radio Communication Tester	R&S	CMU 200	119988	Feb. 22th, 2020	Feb. 21th, 2021
Wideband Radio Communication Tester	R&S	CMW 500	152303	Feb. 24th, 2020	Feb. 23th, 2021
Radio Communication Analyzer	Anritsu	MT8820C	62014653 15	N.C.R.	N.C.R.
Controller	MF	MF7802	N/A	N.C.R.	N.C.R.
Controller	MF	MF7802	N/A	N.C.R.	N.C.R.
Antenna Master	MF	N/A	N/A	N.C.R.	N.C.R.
Antenna Master	MF	N/A	N/A	N.C.R.	N.C.R.
Antenna Master	MF	N/A	N/A	N.C.R.	N.C.R.
Turn Table	MF	N/A	N/A	N.C.R.	N.C.R.
Site NSA	SGS	10M Chamber	10M SAC	Dec. 31th, 2019	Dec. 30th, 2020
Test S/W	Farad	EZ-EMC	Ver. SGS 10m- 03A2-3	N.C.R.	N.C.R.

SGS Taiwan LTD. Electronics & Communication Laboratory
 No.2, Keji 1st Rd., Guishan District, Taoyuan City, Taiwan (R.O.C.)
 Measurement Uncertainty of Radiated Emission
 Expanded uncertainty Ulab (K=2) of radiated emission is 4.09 dB. (30MHz ~ 1000MHz)
 Theory values uncertainty Ucispr 16-4-2:2011+A1:2014 (K=2) of radiated emission is 5.22 dB. (30MHz ~ 1000MHz)

Unless otherwise stated the results shown in this test report refer only to the sample(s) tested and such sample(s) are retained for 90 days only.

除非另有說明，此報告結果僅對測試之樣品負責，同時此樣品僅保留90天。本報告未經本公司書面許可，不可部份複製。

This document is issued by the Company subject to its General Conditions of Service printed overleaf, available on request or accessible at <http://www.sgs.com.tw/Terms-and-Conditions> and for electronic format documents, subject to Terms and Conditions for Electronic Documents at <http://www.sgs.com.tw/Terms-and-Conditions>. Attention is drawn to the limitation of liability, indemnification and jurisdiction issues defined therein. Any holder of this document is advised that information contained hereon reflects the Company's findings at the time of its intervention only and within the limits of Client's instructions, if any. The Company's sole responsibility is to its Client and this document does not exonerate parties to a transaction from exercising all their rights and obligations under the transaction documents. This document cannot be reproduced except in full, without prior written approval of the Company. Any unauthorized alteration, forgery or falsification of the content or appearance of this document is unlawful and offenders may be prosecuted to the fullest extent of the law.

SGS Taiwan Ltd.

No.134,Wu Kung Road, New Taipei Industrial Park, Wuku District, New Taipei City, Taiwan/新北市五股區新北產業園區五工路 134 號

台灣檢驗科技股份有限公司

t (886-2) 2299-3279

f (886-2) 2298-0488

www.sgs.com.tw

Member of SGS Group



Above 1GHz

SGS Radiated_Above_1GHz HWAYA 966A EMC					
EQUIPMENT TYPE	Manufacturer	Model Number	Serial Number	Calibration Date	Calibration Due
Spectrum Analyzer	R&S	FSV 40	101419	May 22th, 2019	May 21th, 2020
EMI Test Receiver	R&S	ESR 7	101459	Feb. 24th, 2020	Feb. 23th, 2021
Horn Antenna	SCHWARZBECK	BBHA9120D	BBHA9120D285	Apr. 30th, 2019	Apr. 29th, 2020
Horn Antenna	Schwarzbeck	BBHA9170	BBHA9170-184	Dec. 25th, 2019	Dec. 24th, 2020
Pre Amplifier	EMC Instruments Corp.	EMC012645B	980216	Apr. 25th, 2019	Apr. 24th, 2020
Pre Amplifier	EMC Instruments Corp.	EMC184045B	980135	Oct. 27th, 2019	Oct. 26th, 2020
Coaxial Cable	JUNFLOW	MWX221-NMSNMS	J0778929	Apr. 23th, 2019	Apr. 22th, 2021
Coaxial Cable	Huber+Suhner	SUCCOFLEX 104PEA	30255/4PEA	Apr. 23th, 2019	Apr. 22th, 2021
Coaxial Cable	EMC Instruments	EMC104-SM-SM	140927	Apr. 23th, 2019	Apr. 22th, 2021
Coaxial Cable	Huber+Suhner	SUCOFLEX 102	MY 2651/2	Jun. 05th, 2019	Jun. 04th, 2020
Coaxial Cable	Huber+Suhner	SUCOFLEX 102	MY 2153/2	Jun. 05th, 2019	Jun. 04th, 2020
Universal Digital Radio Communication Tester	R&S	CMU 200	119988	Feb. 22th, 2020	Feb.21th, 2021
Wideband Radio Communication Tester	R&S	CMW 500	152303	Feb. 24th, 2020	Feb. 23th, 2021
Radio Communication Analyzer	Anritsu	MT8820C	6201465315	N.C.R.	N.C.R.
Controller	MF	MF7802	N.C.R.	N.C.R.	N.C.R.
Antenna Master	MF	N/A	N/A	N.C.R.	N.C.R.
Turn Table	MF	N/A	N/A	N.C.R.	N.C.R.
Site VSWR	SGS	966 Chamber A	SAC-A	Jan. 12th, 2020	Jan. 11th, 2021
Test S/W	Farad	EZ-EMC	Ver. SGS-03A2-3	N.C.R.	N.C.R.

SGS Taiwan LTD. Electronics & Communication Laboratory
 No.2, Keji 1st Rd., Guishan District, Taoyuan City, Taiwan (R.O.C.)
 Measurement Uncertainty of Radiated Emission
 Expanded uncertainty U_{lab} (k=2) of radiated emission measurement is 5.05 dB. (1-6GHz)
 Expanded uncertainty U_{lab} (k=2) of radiated emission measurement is 5.07 dB. (6-18GHz)
 Expanded uncertainty U_{lab} (k=2) of radiated emission measurement is 5.19 dB. (18-26GHz)
 Expanded uncertainty U_{lab} (k=2) of radiated emission measurement is 5.14 dB. (26-40GHz)
 Theory values uncertainty U_{cispr} 16-4-2:2011+A1:2014 (K=2) of radiated emission measurement is 5.18 dB.(1-6GHz)
 Theory values uncertainty U_{cispr} 16-4-2:2011+A1:2014 (K=2) of radiated emission measurement is 5.48 dB.(6-18GHz)
 Theory values uncertainty U_{cispr} 16-4-2:2011+A1:2014 (K=2) of radiated emission measurement is ---- dB.(18-26GHz)
 Theory values uncertainty U_{cispr} 16-4-2:2011+A1:2014 (K=2) of radiated emission measurement is ---- dB.(26-40GHz)

2.5.2 Operating Environment

Temperature : 26 degree C

Humidity : 60 %RH

Atmospheric Pressure : 990 hpa

2.5.3 Measurement Level Calculation

Correction Factor = Antenna Factor + Cable loss- Amplifier Gain

Measurement Level = Reading Level + Correction Factor

Over (Margin) = Measurement Level – Limit

Unless otherwise stated the results shown in this test report refer only to the sample(s) tested and such sample(s) are retained for 90 days only.

除非另有說明，此報告結果僅對測試之樣品負責，同時此樣品僅保留90天。本報告未經本公司書面許可，不可部份複製。

This document is issued by the Company subject to its General Conditions of Service printed overleaf, available on request or accessible at <http://www.sgs.com.tw/Terms-and-Conditions> and for electronic format documents, subject to Terms and Conditions for Electronic Documents at <http://www.sgs.com.tw/Terms-and-Conditions>. Attention is drawn to the limitation of liability, indemnification and jurisdiction issues defined therein. Any holder of this document is advised that information contained hereon reflects the Company's findings at the time of its intervention only and within the limits of Client's instructions, if any. The Company's sole responsibility is to its Client and this document does not exonerate parties to a transaction from exercising all their rights and obligations under the transaction documents. This document cannot be reproduced except in full, without prior written approval of the Company. Any unauthorized alteration, forgery or falsification of the content or appearance of this document is unlawful and offenders may be prosecuted to the fullest extent of the law.

SGS Taiwan Ltd.

No.134,Wu Kung Road, New Taipei Industrial Park, Wuku District, New Taipei City, Taiwan/新北市五股區新北產業園區五工路 134 號

台灣檢驗科技股份有限公司

t (886-2) 2299-3279

f (886-2) 2298-0488

www.sgs.com.tw

Member of SGS Group



2.5.4 Measurement Data

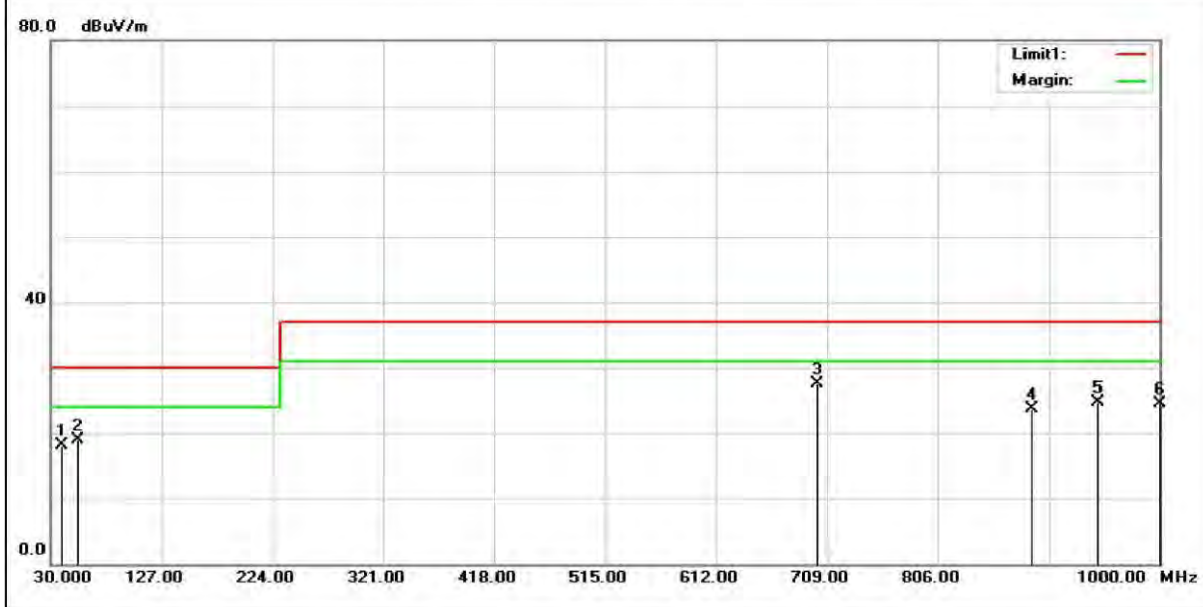
Below 1GHz

Model No.: F-42A

Mode_8_H

Site: SGS 10m Chamber	Date: 2020/4/23	Time: 下午 04:49:38
Limit: CISPR22 Class B 10m Radiation	Polarization: Horizontal	Temperature: 26 °C
Mode: Mode_8	Power: From System	Humidity: 60 %RH
Report: File :MH-2020-30138	Distance: 10m	Air Pressure: 990 hpa
Tester: David Lee		
Note:		

SGS Taiwan Ltd.-Electronics & Communication Laboratory Address: No.2, Keji 1st Rd., Guishan District, Taoyuan City, Taiwan 333



No.	Mk	Freq. MHz	Reading (dBuV)	Factor (dB/m)	Measurement (dBuV/m)	Limit (dBuV/m)	Over (dB)	Height (cm)	Degree (deg.)	Detector	Comment
1		39.7000	29.60	-11.40	18.20	30.00	-11.80			QP	
2		53.7200	30.30	-11.33	18.97	30.00	-11.03			QP	
3	*	699.9300	29.16	-1.60	27.56	37.00	-9.44	151	0	QP	
4		888.4500	23.25	0.49	23.74	37.00	-13.26			QP	
5		945.6800	23.21	1.48	24.69	37.00	-12.31			QP	
6		999.3200	22.88	1.69	24.57	37.00	-12.43			QP	

*:Maximum data x:Over limit !:over margin

Unless otherwise stated the results shown in this test report refer only to the sample(s) tested and such sample(s) are retained for 90 days only.
 除非另有說明，此報告結果僅對測試之樣品負責，同時此樣品僅保留90天。本報告未經本公司書面許可，不可部份複製。

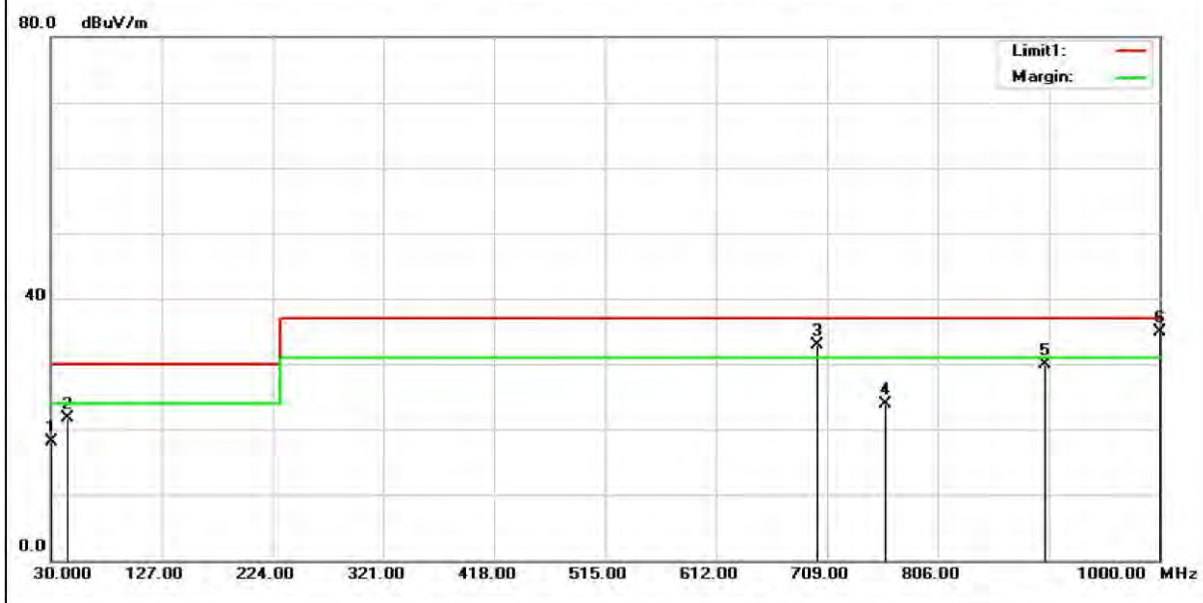
This document is issued by the Company subject to its General Conditions of Service printed overleaf, available on request or accessible at <http://www.sgs.com.tw/Terms-and-Conditions> and for electronic format documents, subject to Terms and Conditions for Electronic Documents at <http://www.sgs.com.tw/Terms-and-Conditions>. Attention is drawn to the limitation of liability, indemnification and jurisdiction issues defined therein. Any holder of this document is advised that information contained hereon reflects the Company's findings at the time of its intervention only and within the limits of Client's instructions, if any. The Company's sole responsibility is to its Client and this document does not exonerate parties to a transaction from exercising all their rights and obligations under the transaction documents. This document cannot be reproduced except in full, without prior written approval of the Company. Any unauthorized alteration, forgery or falsification of the content or appearance of this document is unlawful and offenders may be prosecuted to the fullest extent of the law.



Mode_8_V

Site: SGS 10m Chamber	Date: 2020/4/23	Time: 下午 04:49:36
Limit: CISPR22 Class B 10m Radiation	Polarization: Vertical	Temperature: 26 °C
Mode: Mode_8	Power: From System	Humidity: 60 %RH
Report: File :MH-2020-30138	Distance: 10m	Air Pressure: 990 hpa
Tester: David Lee		
Note:		

SGS Taiwan Ltd.-Electronics & Communication Laboratory Address: No.2, Keji 1st Rd., Guishan District, Taoyuan City, Taiwan 333



No.	Mk	Freq. MHz	Reading (dBuV)	Factor (dB/m)	Measurement (dBuV/m)	Limit (dBuV/m)	Over (dB)	Height (cm)	Degree (deg.)	Detector	Comment
1		30.0000	30.18	-12.00	18.18	30.00	-11.82			QP	
2		43.8000	32.78	-10.99	21.79	30.00	-8.21			QP	
3	!	699.8800	33.30	-0.40	32.90	37.00	-4.10			QP	
4		759.4400	22.63	1.18	23.81	37.00	-13.19			QP	
5		899.9060	28.38	1.50	29.88	37.00	-7.12			QP	
6	*	999.8320	32.47	2.50	34.97	37.00	-2.03	220	357	QP	

*:Maximum data x:Over limit !:over margin

Unless otherwise stated the results shown in this test report refer only to the sample(s) tested and such sample(s) are retained for 90 days only.

除非另有說明，此報告結果僅對測試之樣品負責，同時此樣品僅保留90天。本報告未經本公司書面許可，不可部份複製。
This document is issued by the Company subject to its General Conditions of Service printed overleaf, available on request or accessible at <http://www.sgs.com.tw/Terms-and-Conditions> and for electronic format documents, subject to Terms and Conditions for Electronic Documents at <http://www.sgs.com.tw/Terms-and-Conditions>. Attention is drawn to the limitation of liability, indemnification and jurisdiction issues defined therein. Any holder of this document is advised that information contained hereon reflects the Company's findings at the time of its intervention only and within the limits of Client's instructions, if any. The Company's sole responsibility is to its Client and this document does not exonerate parties to a transaction from exercising all their rights and obligations under the transaction documents. This document cannot be reproduced except in full, without prior written approval of the Company. Any unauthorized alteration, forgery or falsification of the content or appearance of this document is unlawful and offenders may be prosecuted to the fullest extent of the law.

Above 1GHz

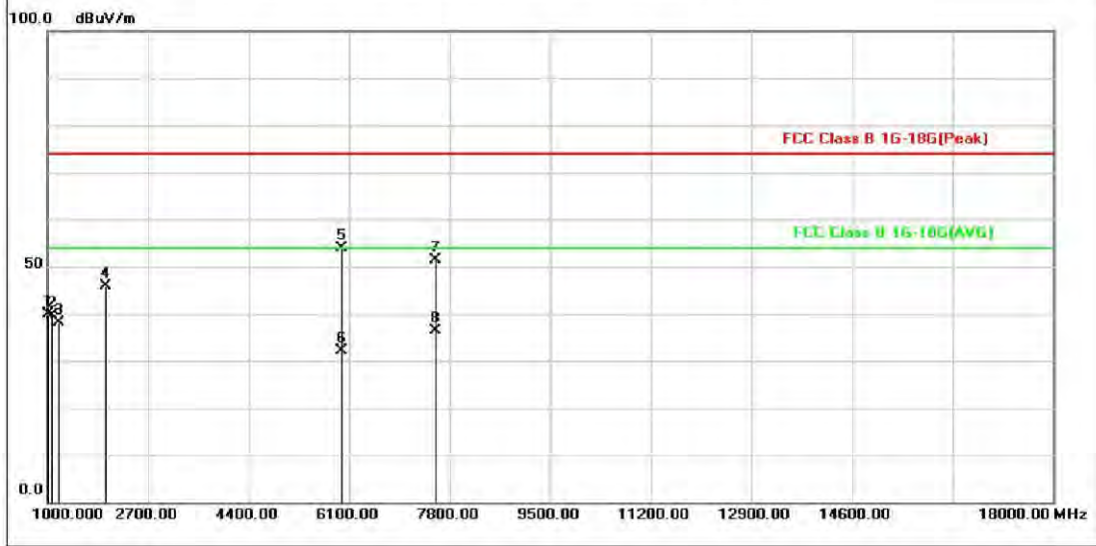
Model No.: F-42A

1GHz~18GHz

Mode_8_H

Site: SGS 966 Chamber A	Date: 2020/4/22	Time: 下午 07:26:57
Limit: FCC Class B 1G-18G(Peak)	Polarization: Horizontal	Temperature: 21 °C
Mode: Mode_8	Power: From System	Humidity: 66 %RH
Report: MH-2020-30138	Distance: 3m	Air Pressure: 990 hpa
Tester: David Lee		
Note:		

SGS Taiwan Ltd.-Electronics & Communication Laboratory Address: No.2, Keji 1st Rd., Gulshan District, Taoyuan City, Taiwan 333



No.	Mk	Freq. (MHz)	Reading (dBuV)	Factor (dB/m)	Measurement (dBuV/m)	Limit (dBuV/m)	Over (dB)	Height (cm)	Degree (deg.)	Detector	Comment
1		1000.0000	62.53	-22.60	39.93	74.00	-34.07			peak	
2		1085.000	61.39	-21.67	39.72	74.00	-34.28			peak	
3		1187.000	58.85	-20.71	38.14	74.00	-35.86			peak	
4		1986.000	61.45	-15.54	45.91	74.00	-28.09			peak	
5		5981.000	58.20	-4.24	53.96	74.00	-20.04	100	194	peak	
6		5981.000	36.41	-4.24	32.17	54.00	-21.83	100	194	AVG	
7		7562.000	49.76	1.53	51.29	74.00	-22.71	100	182	peak	
8	*	7562.000	34.75	1.53	36.28	54.00	-17.72	100	182	AVG	

*:Maximum data x:Over limit !:over margin

Unless otherwise stated the results shown in this test report refer only to the sample(s) tested and such sample(s) are retained for 90 days only.

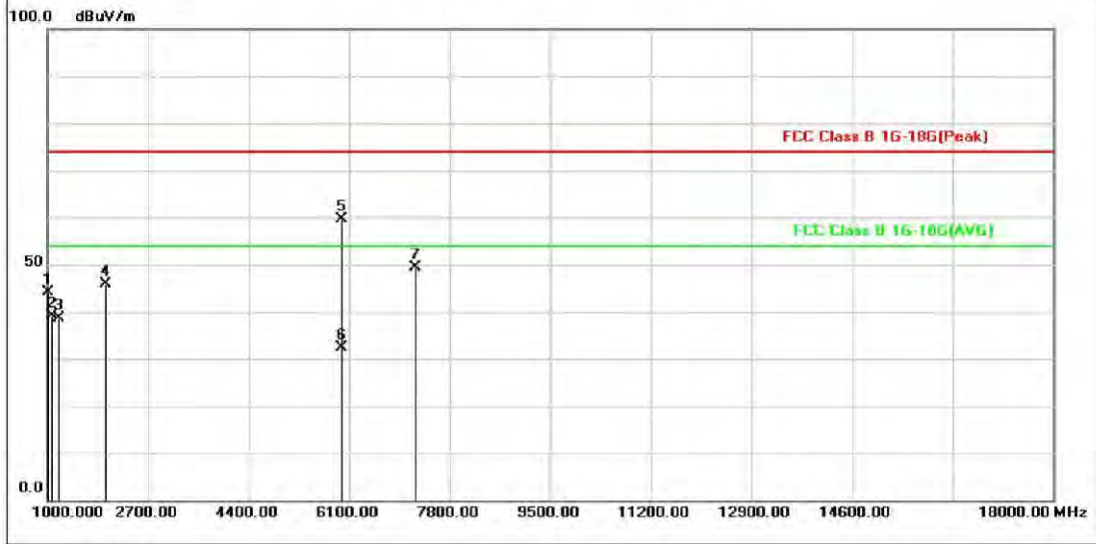
除非另有說明，此報告結果僅對測試之樣品負責，同時此樣品僅保留90天。本報告未經本公司書面許可，不可部份複製。

This document is issued by the Company subject to its General Conditions of Service printed overleaf, available on request or accessible at <http://www.sgs.com.tw/Terms-and-Conditions> and for electronic format documents, subject to Terms and Conditions for Electronic Documents at <http://www.sgs.com.tw/Terms-and-Conditions>. Attention is drawn to the limitation of liability, indemnification and jurisdiction issues defined therein. Any holder of this document is advised that information contained hereon reflects the Company's findings at the time of its intervention only and within the limits of Client's instructions, if any. The Company's sole responsibility is to its Client and this document does not exonerate parties to a transaction from exercising all their rights and obligations under the transaction documents. This document cannot be reproduced except in full, without prior written approval of the Company. Any unauthorized alteration, forgery or falsification of the content or appearance of this document is unlawful and offenders may be prosecuted to the fullest extent of the law.

Mode_8_V

Site: SGS 966 Chamber A	Date: 2020/4/22	Time: 下午 07:20:08
Limit: FCC Class B 1G-18G(Peak)	Polarization: Vertical	Temperature: 21 °C
Mode: Mode_8	Power: From System	Humidity: 66 %RH
Report: MH-2020-30138	Distance: 3m	Air Pressure: 990 hpa
Tester: David Lee		
Note:		

SGS Taiwan Ltd.-Electronics & Communication Laboratory Address: No.2, Keji 1st Rd., Gulshan District, Taoyuan City, Taiwan 333



No.	Mk	Freq. (MHz)	Reading (dBuV)	Factor (dB/m)	Measurement (dBuV/m)	Limit (dBuV/m)	Over (dB)	Height (cm)	Degree (deg.)	Detector	Comment
1		1000.0000	66.76	-22.60	44.16	74.00	-29.84			peak	
2		1085.000	60.82	-21.67	39.15	74.00	-34.85			peak	
3		1187.000	59.36	-20.71	38.65	74.00	-35.35			peak	
4		1986.000	61.46	-15.54	45.92	74.00	-28.08			peak	
5	*	5981.000	63.94	-4.24	59.70	74.00	-14.30	100	177	peak	
6		5981.000	36.72	-4.24	32.48	54.00	-21.52	100	177	AVG	
7		7222.000	48.58	0.68	-49.26	74.00	-24.74			peak	

*:Maximum data x:Over limit †:over margin

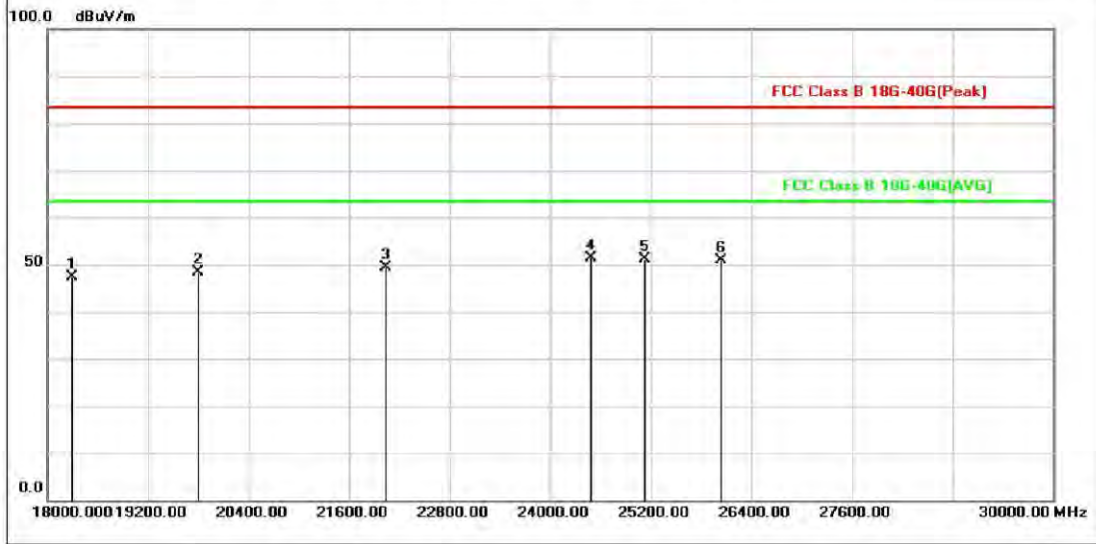
Unless otherwise stated the results shown in this test report refer only to the sample(s) tested and such sample(s) are retained for 90 days only.
 除非另有說明，此報告結果僅對測試之樣品負責，同時此樣品僅保留90天。本報告未經本公司書面許可，不可部份複製。
 This document is issued by the Company subject to its General Conditions of Service printed overleaf, available on request or accessible at <http://www.sgs.com.tw/Terms-and-Conditions> and for electronic format documents, subject to Terms and Conditions for Electronic Documents at <http://www.sgs.com.tw/Terms-and-Conditions>. Attention is drawn to the limitation of liability, indemnification and jurisdiction issues defined therein. Any holder of this document is advised that information contained hereon reflects the Company's findings at the time of its intervention only and within the limits of Client's instructions, if any. The Company's sole responsibility is to its Client and this document does not exonerate parties to a transaction from exercising all their rights and obligations under the transaction documents. This document cannot be reproduced except in full, without prior written approval of the Company. Any unauthorized alteration, forgery or falsification of the content or appearance of this document is unlawful and offenders may be prosecuted to the fullest extent of the law.

18GHz~30GHz

Mode_8_H_

Site: SGS 966 Chamber A	Date: 2020/4/23	Time: 10:31:35
Limit: FCC Class B 18G-40G(Peak)	Polarization: Horizontal	Temperature: 20 °C
Mode: Mode_8	Power: From System	Humidity: 69 %RH
Report: MH-2020-30138	Distance: 1m	Air Pressure: 990 hpa
Tester: David Lee		
Note:		

SGS Taiwan Ltd.-Electronics & Communication Laboratory Address: No.2, Keji 1st Rd., Gulshan District, Taoyuan City, Taiwan 333



No.	Mk	Freq. (MHz)	Reading (dBuV)	Factor (dB/m)	Measurement (dBuV/m)	Limit (dBuV/m)	Over (dB)	Height (cm)	Degree (deg.)	Detector	Comment
1		18288.000	48.16	-0.76	47.40	83.50	-36.10			peak	
2		19800.000	47.09	1.34	48.43	83.50	-35.07			peak	
3		22032.000	46.57	2.92	49.49	83.50	-34.01			peak	
4	*	24492.000	46.57	4.70	51.27	83.50	-32.23	100	266	peak	
5		25128.000	46.52	4.73	51.25	83.50	-32.25			peak	
6		26040.000	46.44	4.50	50.94	83.50	-32.56			peak	

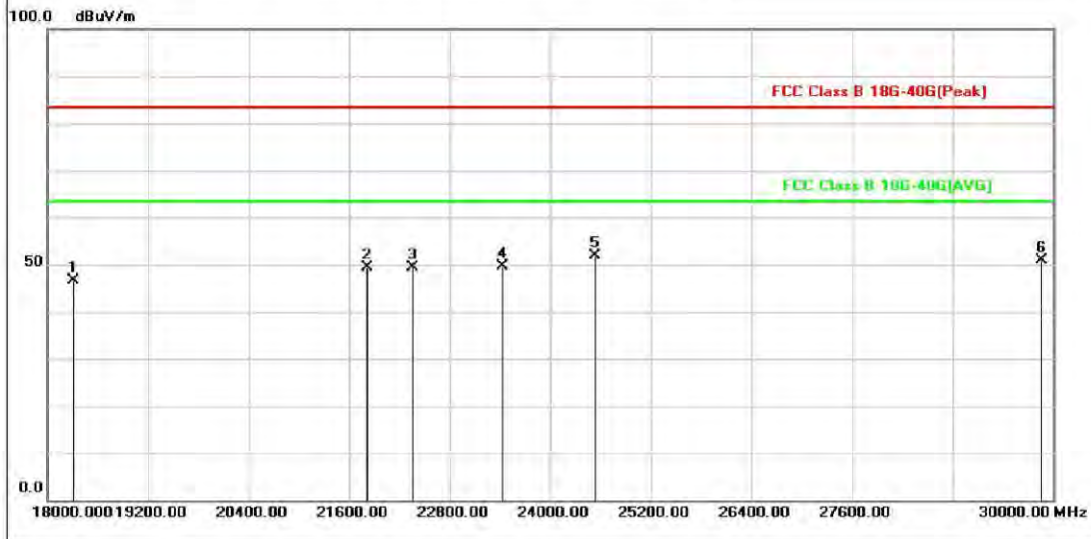
*:Maximum data x:Over limit †:over margin

Unless otherwise stated the results shown in this test report refer only to the sample(s) tested and such sample(s) are retained for 90 days only.
 除非另有說明，此報告結果僅對測試之樣品負責，同時此樣品僅保留90天。本報告未經本公司書面許可，不可部份複製。
 This document is issued by the Company subject to its General Conditions of Service printed overleaf, available on request or accessible at <http://www.sgs.com.tw/Terms-and-Conditions> and for electronic format documents, subject to Terms and Conditions for Electronic Documents at <http://www.sgs.com.tw/Terms-and-Conditions>. Attention is drawn to the limitation of liability, indemnification and jurisdiction issues defined therein. Any holder of this document is advised that information contained hereon reflects the Company's findings at the time of its intervention only and within the limits of Client's instructions, if any. The Company's sole responsibility is to its Client and this document does not exonerate parties to a transaction from exercising all their rights and obligations under the transaction documents. This document cannot be reproduced except in full, without prior written approval of the Company. Any unauthorized alteration, forgery or falsification of the content or appearance of this document is unlawful and offenders may be prosecuted to the fullest extent of the law.

Mode_8_V

Site: SGS 966 Chamber A	Date: 2020/4/23	Time: 10:50:02
Limit: FCC Class B 18G-40G(Peak)	Polarization: Vertical	Temperature: 20 °C
Mode: Mode_8	Power: From System	Humidity: 69 %RH
Report: MH-2020-30138	Distance: 1m	Air Pressure: 990 hpa
Tester: David Lee		
Note:		

SGS Taiwan Ltd.-Electronics & Communication Laboratory Address: No.2, Keji 1st Rd., Gulshan District, Taoyuan City, Taiwan 333



No.	Mk	Freq.	Reading	Factor	Measurement	Limit	Over	Height	Degree	Detector	Comment
		(MHz)	(dBuV)	(dB/m)	(dBuV/m)	(dBuV/m)	(dB)	(cm)	(deg.)		
1		18312.000	47.37	-0.76	46.61	83.50	-36.89			peak	
2		21816.000	46.89	2.61	49.50	83.50	-34.00			peak	
3		22356.000	46.25	3.04	49.29	83.50	-34.21			peak	
4		23424.000	45.85	3.82	49.67	83.50	-33.83			peak	
5	*	24528.000	47.20	4.70	51.90	83.50	-31.60	100	105	peak	
6		29856.000	46.22	4.58	50.80	83.50	-32.70			peak	

*:Maximum data x:Over limit !:over margin

Unless otherwise stated the results shown in this test report refer only to the sample(s) tested and such sample(s) are retained for 90 days only.

除非另有說明，此報告結果僅對測試之樣品負責，同時此樣品僅保留90天。本報告未經本公司書面許可，不可部份複製。

This document is issued by the Company subject to its General Conditions of Service printed overleaf, available on request or accessible at <http://www.sgs.com.tw/Terms-and-Conditions> and for electronic format documents, subject to Terms and Conditions for Electronic Documents at <http://www.sgs.com.tw/Terms-and-Conditions>. Attention is drawn to the limitation of liability, indemnification and jurisdiction issues defined therein. Any holder of this document is advised that information contained hereon reflects the Company's findings at the time of its intervention only and within the limits of Client's instructions, if any. The Company's sole responsibility is to its Client and this document does not exonerate parties to a transaction from exercising all their rights and obligations under the transaction documents. This document cannot be reproduced except in full, without prior written approval of the Company. Any unauthorized alteration, forgery or falsification of the content or appearance of this document is unlawful and offenders may be prosecuted to the fullest extent of the law.