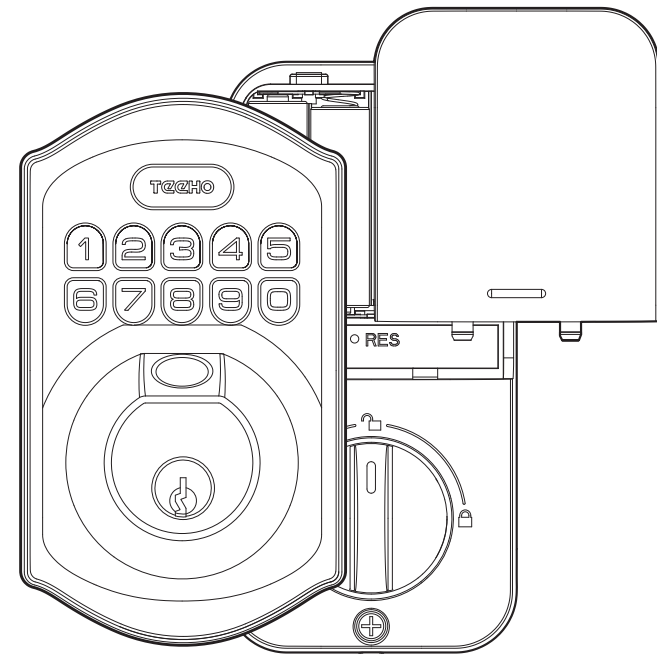


# TECHO

## Installation Instructions



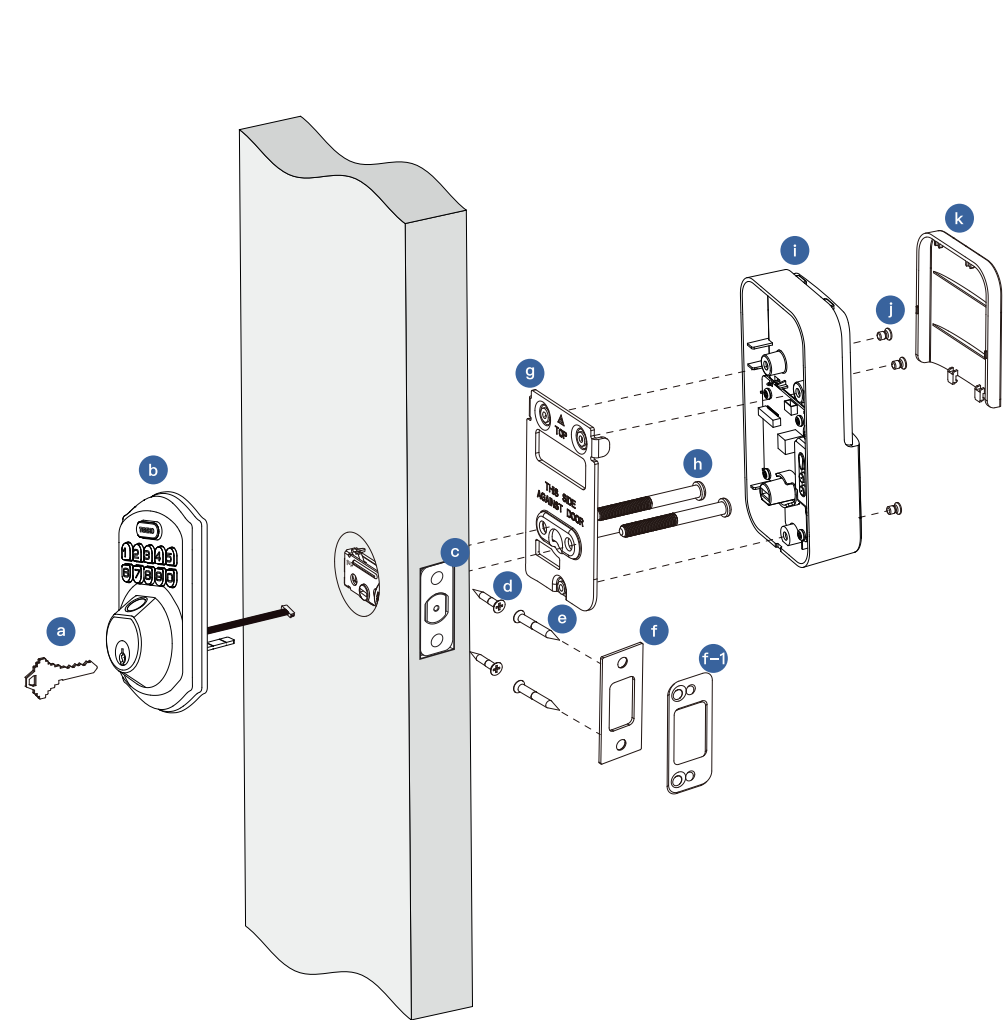
Scan QR code to download KK Home App

- Register an account in KK Home App
- Scan QR code on the inside panel to add TE002W to the device list
- Follow the setup steps to get started.



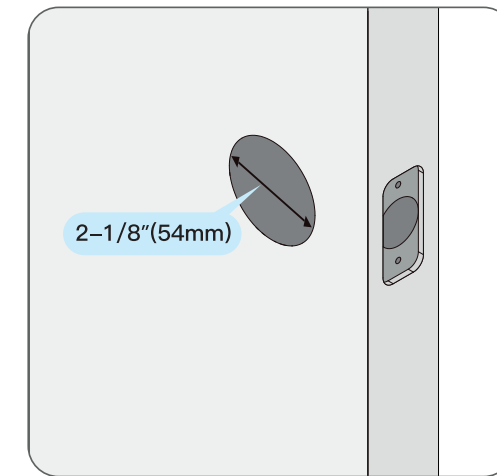
Download KK Home App from the App store or Google Play.

### Parts List:

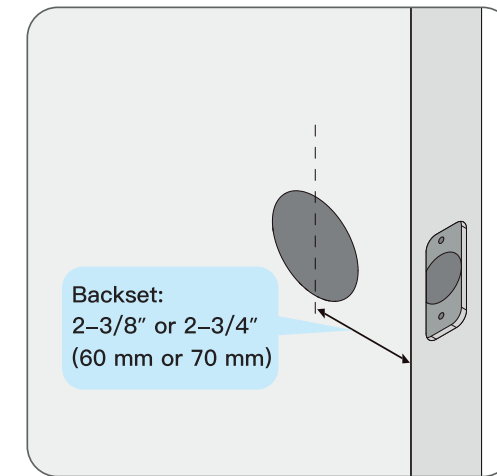


The details of part identification is shown on following page

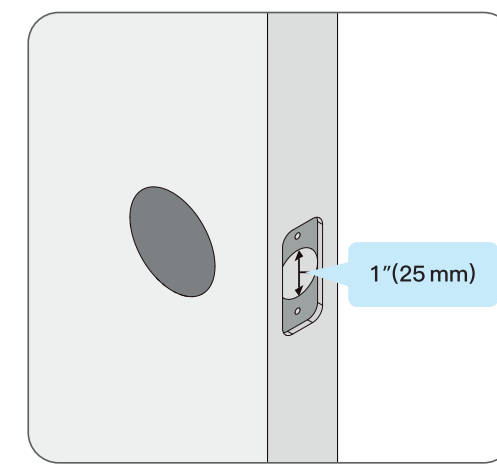
### 1. Prepare the door and check dimensions



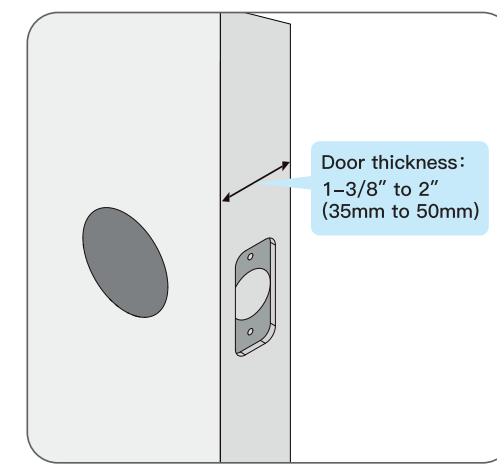
Measure to confirm that the hole in the door is 2-1/8\"(54mm).



Measure to confirm that the backset is either 2-3/8\" or 2-3/4\" (60 mm or 70 mm).

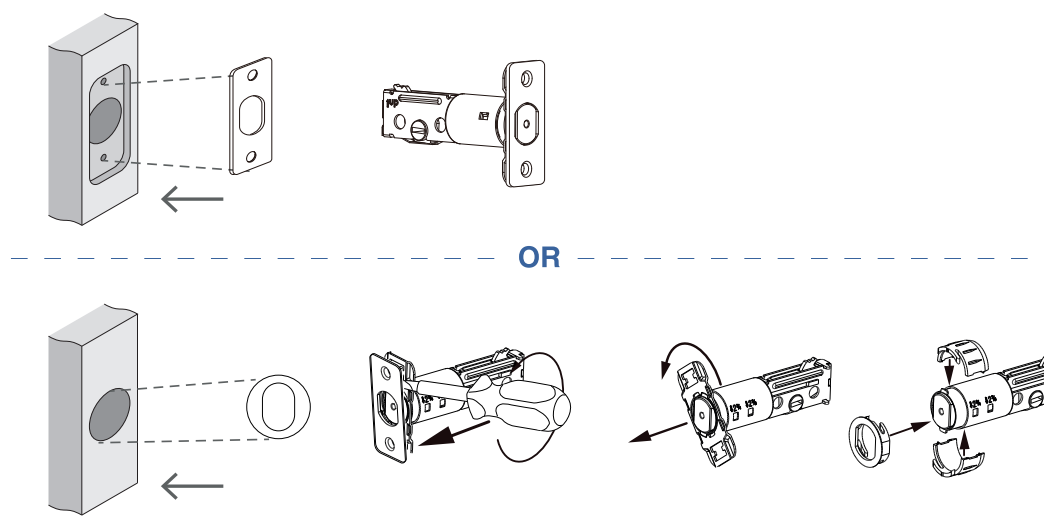


Measure to confirm that the hole in the door is 1\"(25mm).



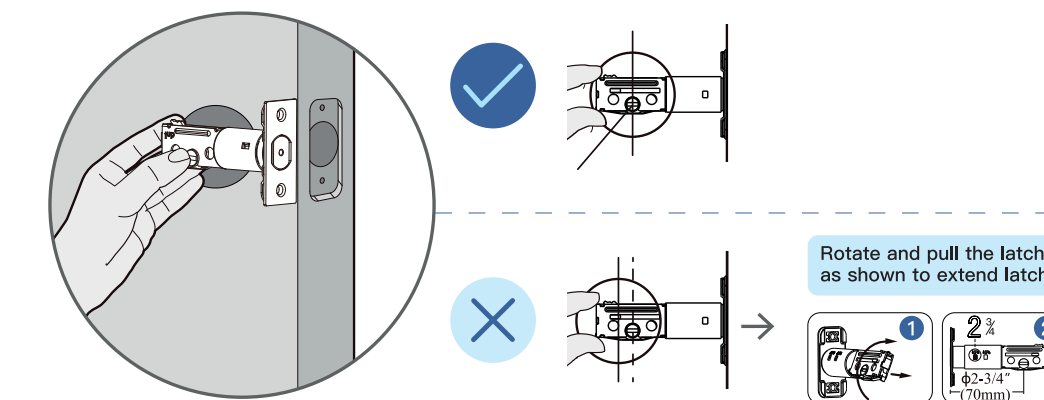
Measure to confirm that door thickness is between 1-3/8\" and 2\" (35mm to 50mm).

### 2. Choose faceplate

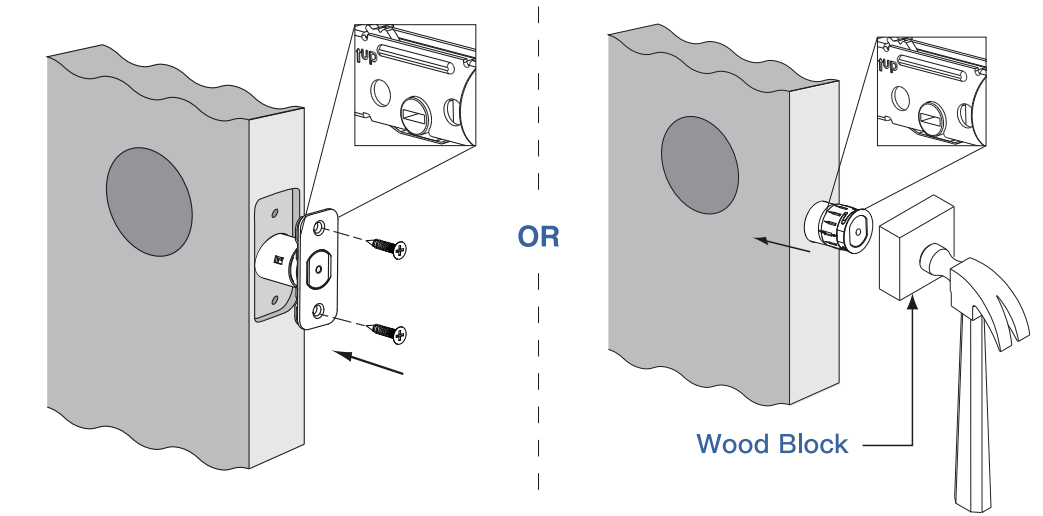


OR

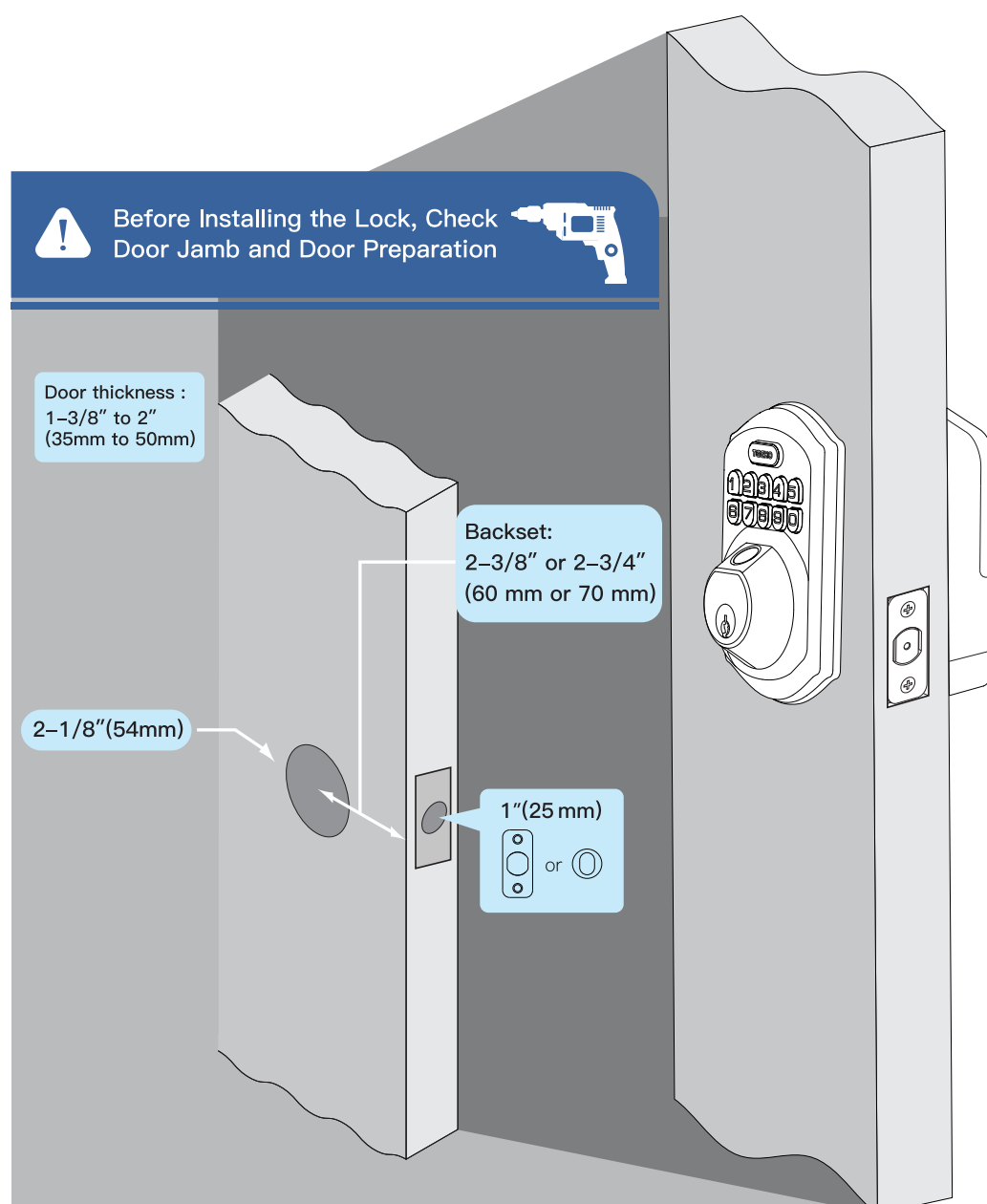
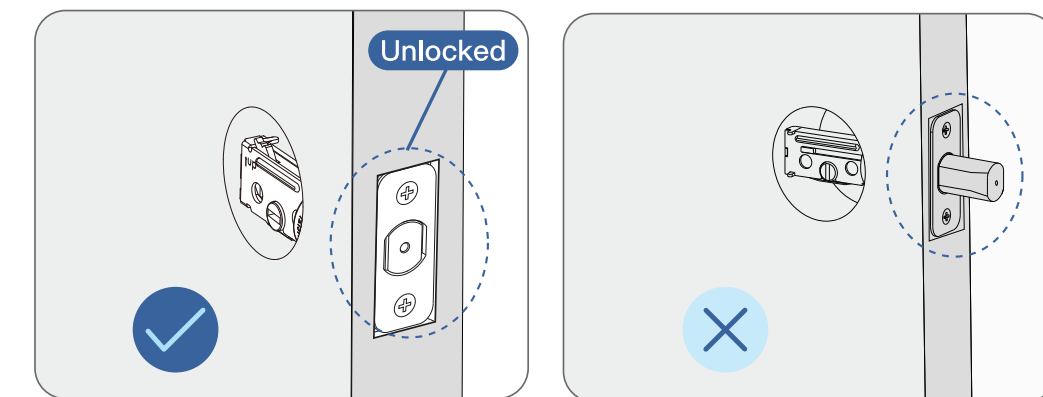
### Is the slotted hole centered in the door hole?



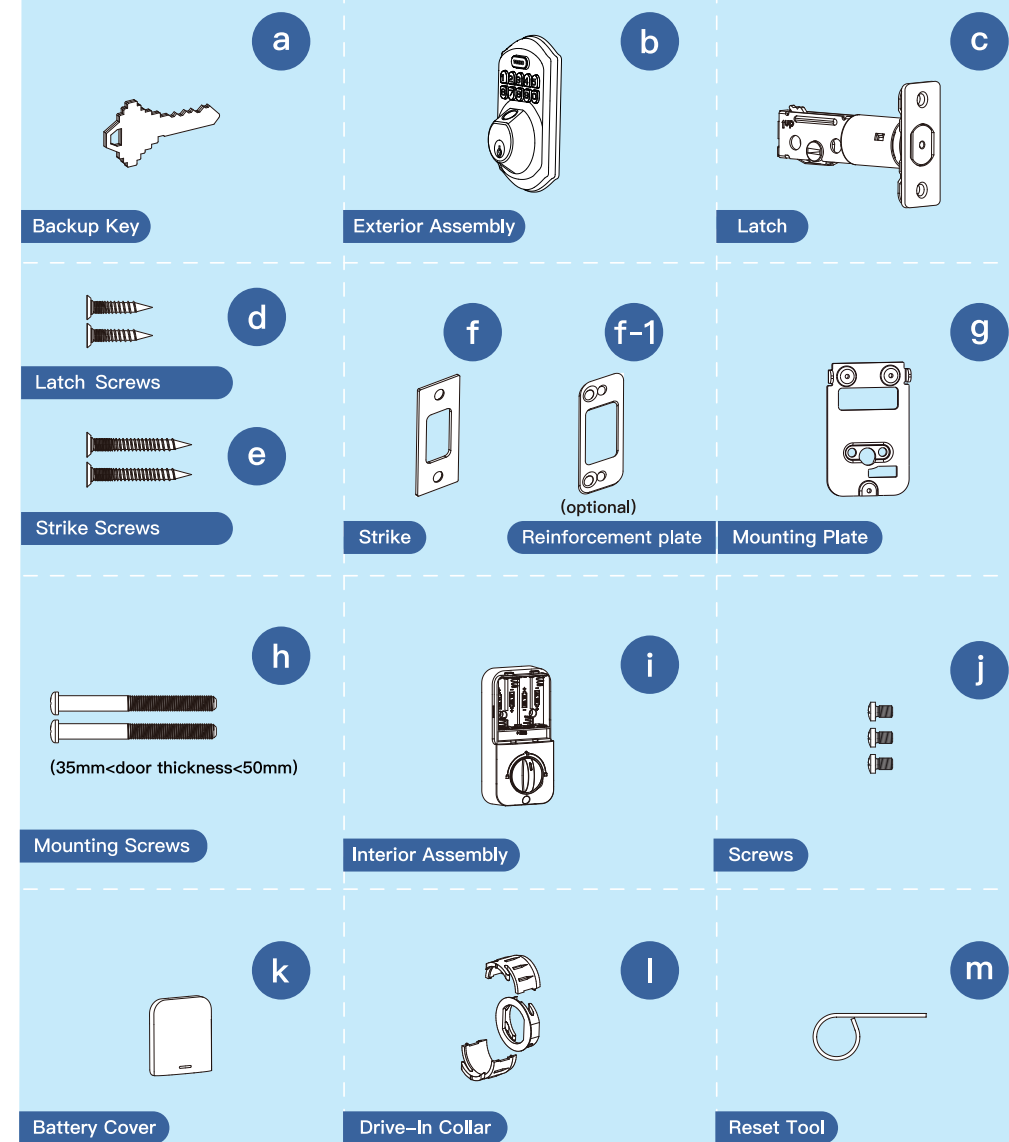
### 3. Install latch and deadbolt



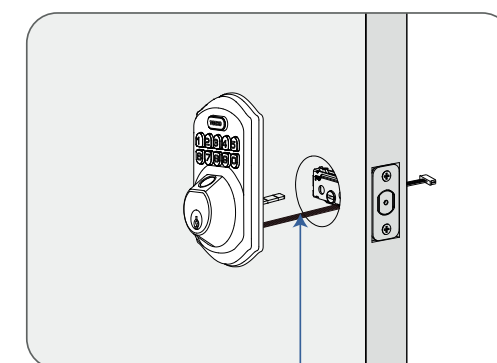
**IMPORTANT:** Keep the latch in unlocked position before installation.



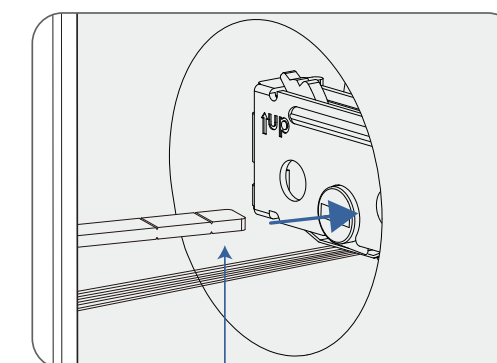
### Parts identification



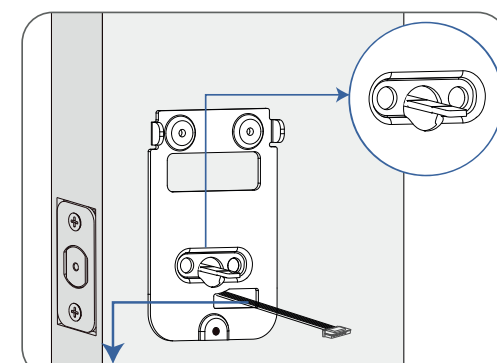
### 4. Install exterior assembly



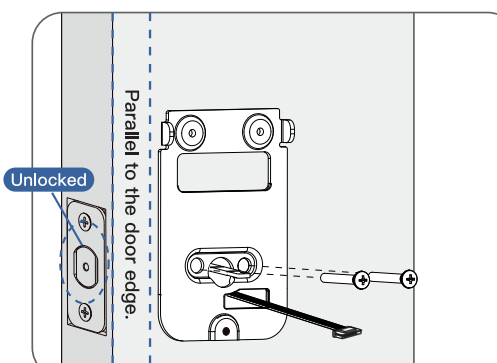
Route the cable below the latch.



**IMPORTANT:** Bolt must be in unlock position. Note horizontal orientation of torque blade.



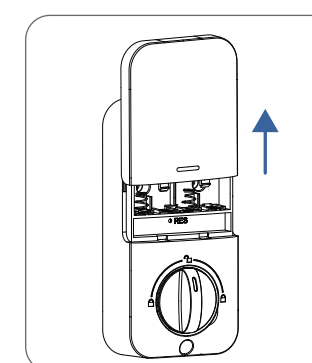
Route the cable through the hole in the mounting plate.



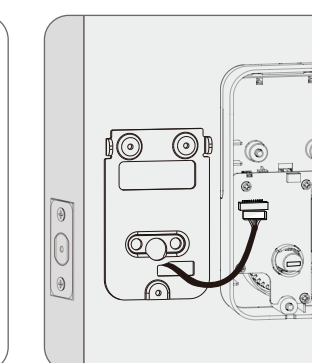
Secure the mounting plate with the supplied screws.

### 5. Install interior assembly

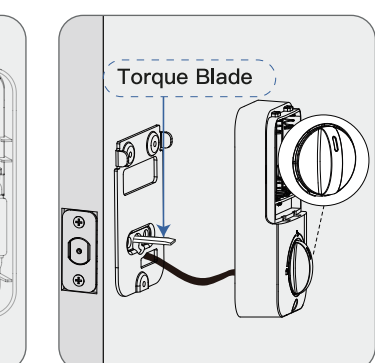
**Do not load batteries until lock is completely installed.**



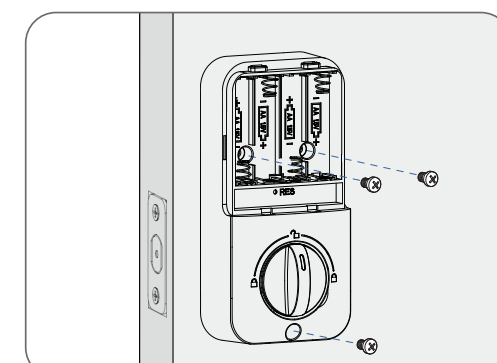
Remove the battery cover.



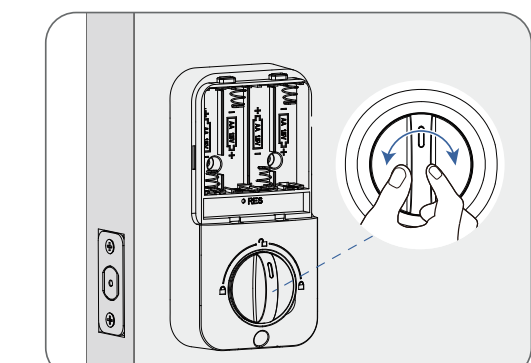
Connect the cable and ensure tight cable connection.



Rotate the Thumb turn in vertical position and insert the horizontal orientation of torque blade into the interior assembly lock switch.



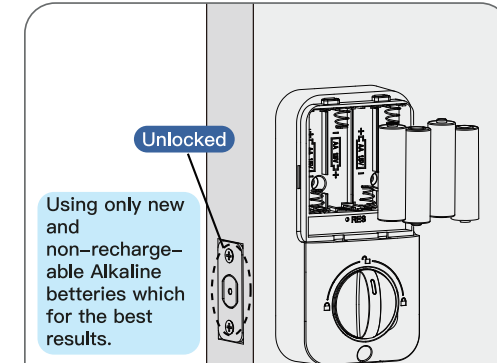
Secure the interior assembly with the supplied screws.



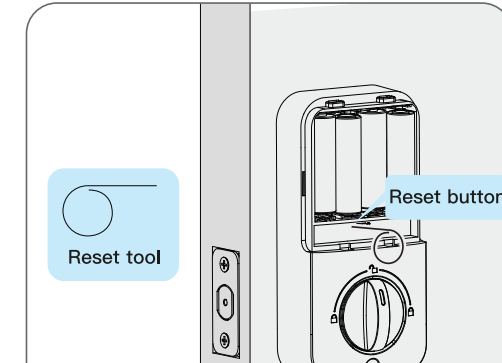
Test the lock by rotating the thumb turn to see if the bolt can be extended and retracted smoothly.

### 6. Detect left/right hand door installation

**IMPORTANT:** This step is required and crucial for the lock after installation!



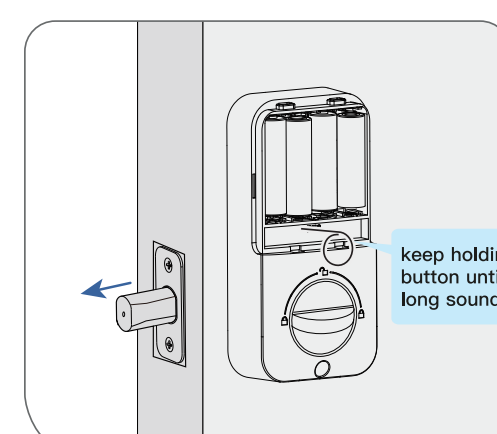
Using only new and non-rechargeable Alkaline batteries which for the best results.



Reset button

While the door is open and unlock, load 4 AA batteries into the interior assembly.

Press and hold the reset button 5 seconds by using the reset tool provided in package.



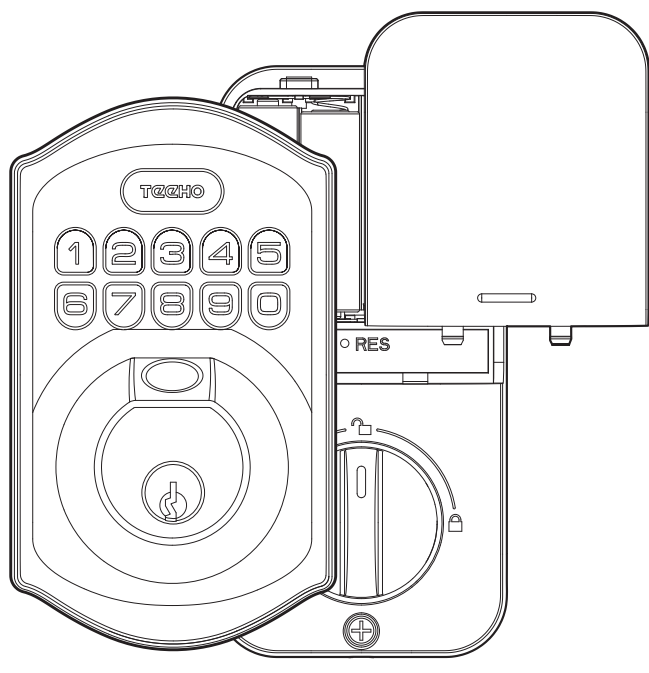
keep holding the reset button until you hear the long sound of "BEEP".

The lock will automatically lock. This is for the smart lock to memorize the orientation of the door.



# TECHO

## Programming Instructions



Scan QR code to download KK Home App

- Register an account in KK Home App
- Scan QR code on the inside panel to add TE002W to the device list
- Follow the setup steps to get started.



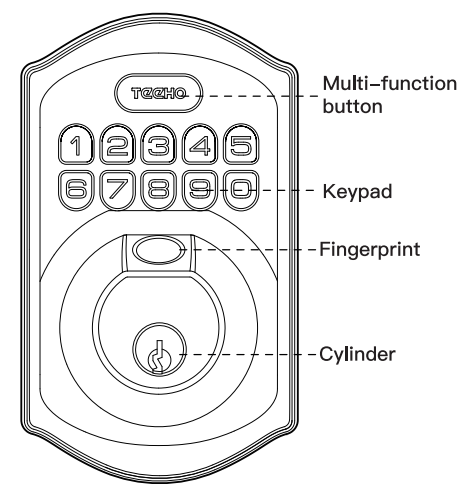
Download KK Home App from the App store or Google Play.

## Parts illustrations

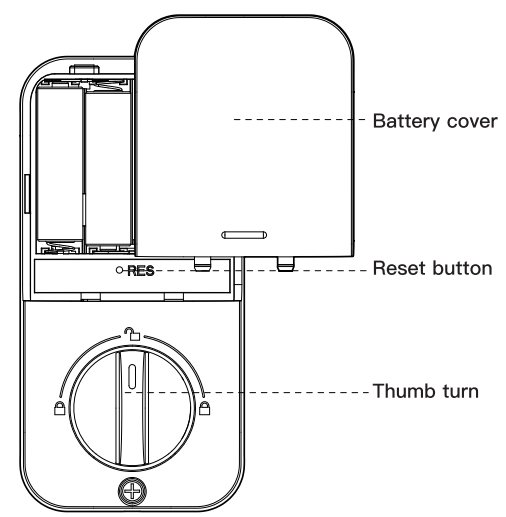
⚠ The default master code is 12345678. It's required that you change it to a code of your own before programming.

| ITEM  | SPECIFICATIONS   | REMARKS  |
|---|--|--|
| Battery<br>(Using only new and non-rechargeable Alkaline batteries for the best results.) | AA alkaline battery x4<br>(Operation voltage:4.6-6.0V) | Last up to one year<br>(10 times open/close per day) |

### Exterior assembly

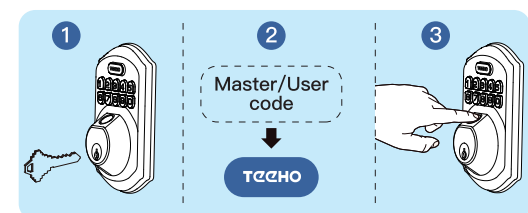


### Interior assembly

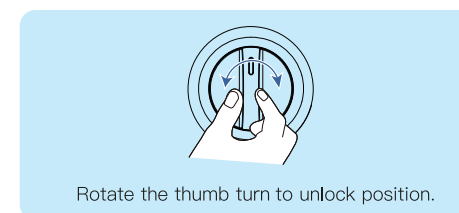


## How to use?

### Unlock the door from outside



### Unlock the door from inside



### Lock the door from outside

**Auto re-lock mode**  
In auto re-lock mode, the bolt will extend out automatically in 30 seconds after unlocking.

**Manual mode**  
Press any of the buttons on keypad for 2 seconds.



### Lock the door from inside

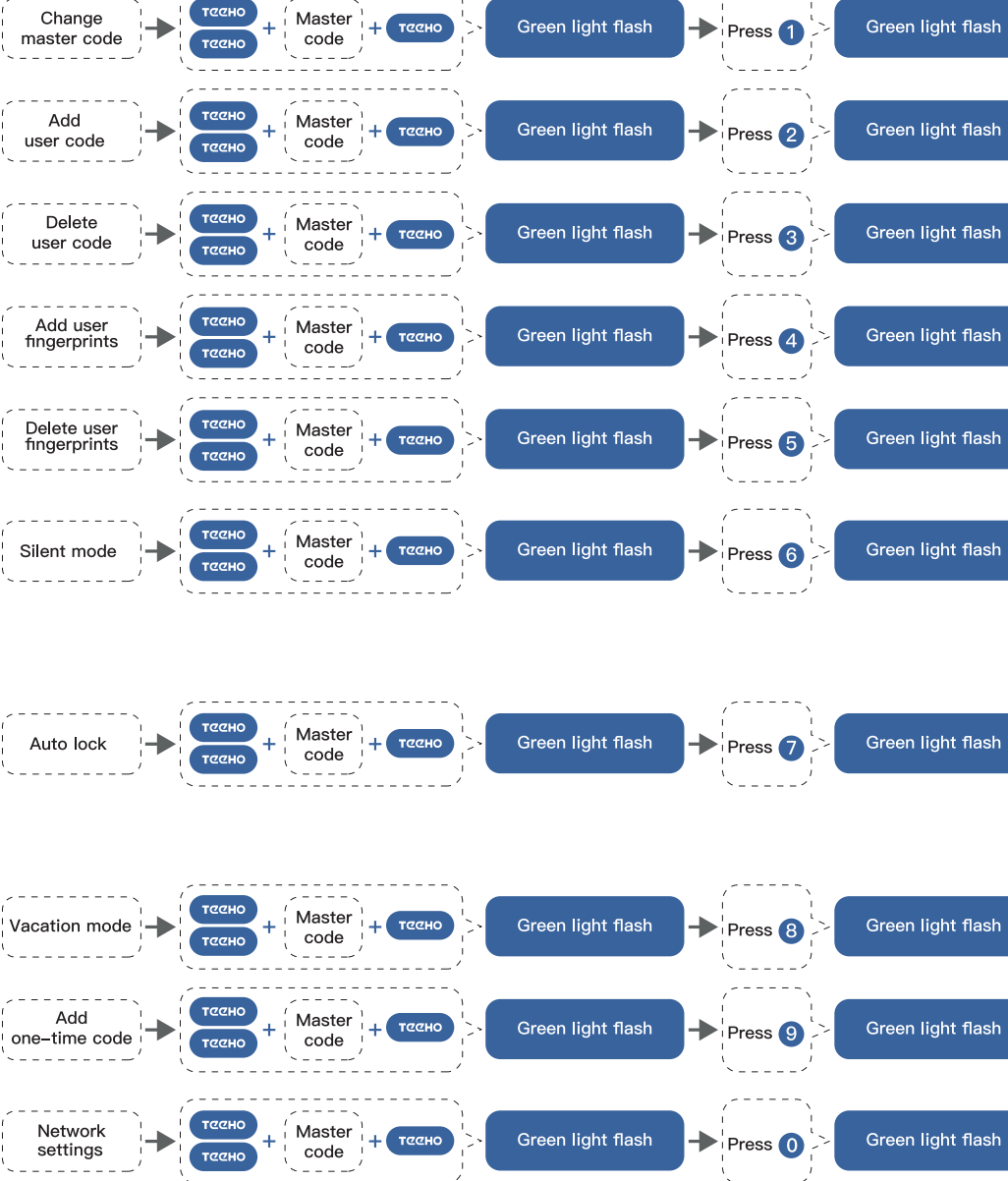
**Auto re-lock mode**  
In auto re-lock mode, the bolt will extend out automatically in 30 seconds after unlocking.

**Manual mode**  
Rotate the thumb turn to lock position.

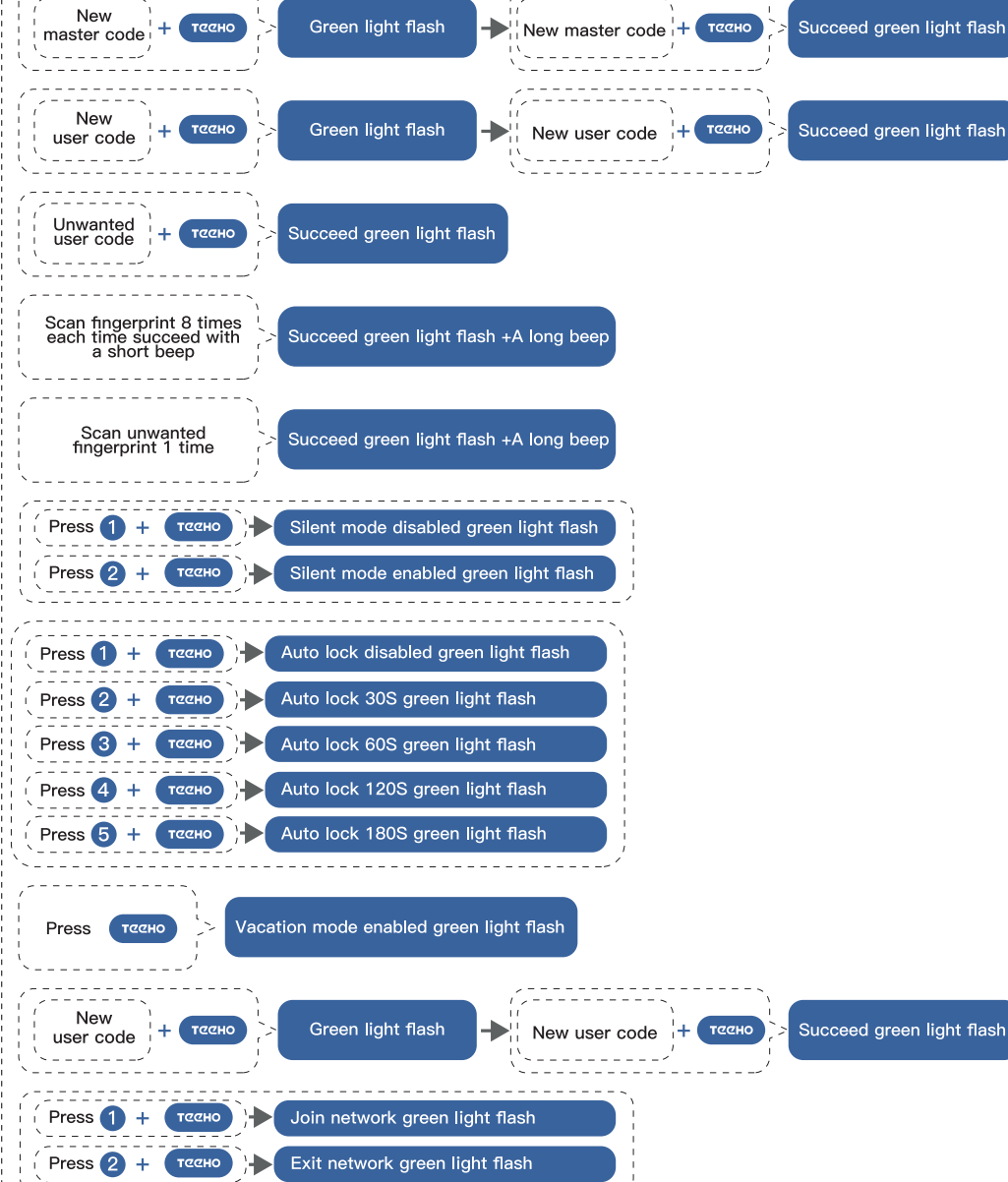


## Quick set up

⚠ The default master code is 12345678. It's required that you change it to a code of your own before programming.



⚠ When setting is unsuccessful, the indicator light will flash red.



## FCC Statement

This equipment has been tested and found to comply with the limits for a Class B digital device, pursuant to part 15 of the FCC Rules. These limits are designed to provide reasonable protection against harmful interference in a residential installation. This equipment generates, uses and can radiate radio frequency energy and, if not installed and used in accordance with the instructions, may cause harmful interference to radio communications. However, there is no guarantee that interference will not occur in a particular installation. If this equipment does cause harmful interference to radio or television reception, which can be determined by turning the equipment off and on, the user is encouraged to try to correct the interference by one or more of the following measures:

- Reorient or relocate the receiving antenna.
- Increase the separation between the equipment and receiver.
- Connect the equipment into an outlet on a circuit different from that to which the receiver is connected.
- Consult the dealer or an experienced radio/TV technician for help.

Caution: Any changes or modifications to this device not explicitly approved by manufacturer could void your authority to operate this equipment.

This device complies with part 15 of the FCC Rules. Operation is subject to the following two conditions: (1) This device may not cause harmful interference, and (2) this device must accept any interference received, including interference that may cause undesired operation.

RF Exposure Information  
This equipment complies with FCC radiation exposure limits set forth for an uncontrolled environment. This equipment should be installed and operated with minimum distance 20cm between the radiator and your body.

## ISED Statement

English: This device contains licence-exempt transmitter(s)/receiver(s) that comply with Innovation, Science and Economic Development Canada's licence-exempt RSS(s). Operation is subject to the following two conditions:

- (1) This device may not cause interference.
- (2) This device must accept any interference, including interference that may cause undesired operation of the device. The digital apparatus complies with Canadian CAN ICES - 3 (B)/NMB - 3(B).

French: Cet appareil contient des émetteurs/récepteurs exempts de licence qui sont conformes aux RSS exemptés de licence d'Innovation, Sciences et Développement économique Canada.

L'exploitation est soumise aux deux conditions suivantes:  
(1) Cet appareil ne doit pas provoquer d'interférences.  
(2) Cet appareil doit accepter toute interférence, y compris les interférences susceptibles de provoquer un fonctionnement indésirable de l'appareil.

L'appareil numérique du ciem conforme canadien peut - 3 (b) / nmb - 3 (b).  
This device meets the exemption from the routine evaluation limits in section 2.5 of RSS 102 and compliance with RSS 102 RF exposure, users can obtain Canadian information on RF exposure and compliance.

Cet appareil est conforme à l'exemption des limites d'évaluation courante dans la section 2.5 du crr - 102 et conformité avec rrs 102 de l'exposition aux rf, les utilisateurs peuvent obtenir des données canadiennes sur l'exposition aux champs rf et la conformité.

This equipment complies with Canada radiation exposure limits set forth for an uncontrolled environment. Cet équipement est conforme aux limites d'exposition aux rayonnements du Canada établies pour un environnement non contrôlé.

This equipment should be installed and operated with minimum distance 20cm between the radiator & your body. Cet équipement doit être installé et utilisé à une distance minimale de 20 cm entre le radiateur et votre corps.

## Information and safety warnings

⚠ Do not load batteries until lock is completely installed.

- Protect your user codes and master code.
- Restrict access to your lock's interior assembly and routinely check your settings to ensure they have not been altered without your knowledge.
- This lockset is designed to provide the highest standard of product quality and performance. Care should be taken to ensure a long-lasting finish. When cleaning is required use a soft and damp cloth. Using lacquer thinner, caustic soaps, abrasive cleaners or polishes could damage the coating and result in tarnishing.

1. Master PIN Code (4-10 digits): The default master pin code is "12345678". It's required that you change it to a code of your own before programming.
2. User PIN Code (4-10 digits): A total of 20 user codes (and one temporary one-time user code) may be programmed.
3. Both master and user PIN codes don't support the following combination of numbers below.

- A. 1 2 3 4 5 6 7 8 9 ❌ Forward number sequence
- B. 9 8 7 6 5 4 3 2 1 ❌ Backward number sequence
- C. 2 2 2 2 2 2 2 2 2 ❌ Repeat number sequence
- D. 5 6 8 3 ✓
- 5 6 8 3 9 1 ❌ Contain an existing code sequence
- 9 1 5 6 8 3 ❌

## Definitions

### 1 Master Code

- ❑ Required for programming and feature settings. Master code can be used to unlock the door under vacation mode. The default master code needs to be changed before programming.
- ❑ Property owner/manager should keep this information confidential.

### 2 Auto Lock

- ❑ Automatically locks the deadbolt 30 seconds after unlocking. This feature is off by default. You can set the Auto Lock time delay between 30 and 180 seconds.

### 3 Wrong Entry Limit

- ❑ After 10 unsuccessful attempts at entering a invalid PIN code, the unit will shut down for 3 minutes.

### 4 Silent Mode

- ❑ The beep sounds when pressing keypad can be muted. But you will still hear low battery and system alerts.

### 5 Vacation Mode

- ❑ This is a security feature for you when you are leaving your home for vacation or long trip. Enabling vacation mode will restrict all user codes until master code is entered on keypad. If the lock is unlocked by thumb turn, the lock will sound an alarm.

### 6 One Time User Code

- ❑ This code can only be used once and is automatically deleted when used.

### 7 Unlock with Fake Code

- ❑ User can prevent pin code exposure from strangers by entering random digits before or after pin code.

83618 137192 14710  
PASSWORD  
RANDOM DIGITS

## Factory default settings

| SETTINGS               | FACTORY DEFAULT |
|------------------------|-----------------|
| Master code            | 12345678        |
| Auto lock              | Disabled        |
| Silent mode            | Disabled        |
| Wrong code entry limit | 10 times        |
| Shutdown time          | 3 mins          |
| Vacation mode          | Disabled        |

Restore factory default settings ⚠ This procedure will delete all user codes which associated with the lock.

1. Keep the door opening and unlocking;
2. Press and hold the reset button, taking out one battery and then place it back at the same time;
3. Keep holding the reset button for 3 seconds until you hear the sound of "BEEP".

## Troubleshooting

### 1 Installation

| Questions  | Answers   |
|--|---|
| The latch does not operate correctly after installation. | <ul style="list-style-type: none"> <li>❑ Make sure the backset on the latch is set to the proper length. Refer to Installation Instructions</li> <li>❑ Make sure prior to installation latch bolt is retracted and key is not in lockset when installing the deadbolt. Refer to installation Instructions</li> <li>❑ Please restore to factory setting and enter the default Master Code to set up the lock. Refer to Programming Instructions</li> </ul> |
| Feel a bump while turning the thumb turn or the key?     | <ul style="list-style-type: none"> <li>❑ Check if the length of mounting screws is correct.</li> <li>❑ Check if the turn piece is in vertical (unlock) position.</li> <li>❑ Please refer to Programming Instructions to enable the Auto-Lock</li> </ul>   |
| Fail to set up the lock.                                 | <ul style="list-style-type: none"> <li>❑ Please make sure the lock is installed correctly.</li> <li>❑ Please install fresh batteries and make sure the cable is connected correctly.</li> <li>❑ After installation, reset the lock to complete the bolt direction setting.</li> </ul>   |

## Troubleshooting

### 2 Operation

| Questions                                   | Answers   |
|---|---|
| Battery indicator keeps flashing.           | <ul style="list-style-type: none"> <li>❑ The batteries are getting low, please replace with four new batteries for the best performance (alkaline batteries only).</li> </ul>   |
| Keypad not responding.                      | <ul style="list-style-type: none"> <li>❑ Make sure the batteries are installed properly.</li> <li>❑ The batteries are getting low if the battery indicator keeps flashing. Please replace with four new batteries for the best performance (alkaline batteries only).</li> <li>❑ Make sure the cable is well-connected to the port, and was not damaged during installation.</li> <li>❑ Please make sure the lock has been set up and complete the bolt direction determination.</li> </ul> |
| Master Code can not be changed.             | <ul style="list-style-type: none"> <li>❑ Please refer to Programming Instructions to restore factory settings and reprogram all codes.</li> </ul>   |
| What should I do if wrong code was entered? | <ul style="list-style-type: none"> <li>❑ Press <b>TECHO</b> button once and continue to input code according to regular procedures.</li> </ul>  |
| I forgot my Master Codes.                   | <ul style="list-style-type: none"> <li>❑ Perform a reset in order to erase all passcodes. Once the reset is complete, all passcodes will be erased and the Master code will return to the default master code 12345678.</li> </ul>  |
| Can not add a new User Code.                | <ul style="list-style-type: none"> <li>❑ Make sure the whole code entering process is completed within 10 seconds, otherwise the unit will time out.</li> <li>❑ Make sure the Master Code has been entered correctly.</li> <li>❑ The new User Code will not be accepted when the capacity is full. Try to delete any or some existing User Codes and then add new one(s) again. A User Code must be at least 4 to 10 digits.</li> </ul>   |
| "Auto lock" does not function.              | <ul style="list-style-type: none"> <li>❑ The batteries are low on power If the battery Indicator keeps flashing. Please replace with four new batteries for the best performance (alkaline batteries only).</li> </ul>  |

|  |   |
|--|---|
| Lockset is not able to unlock / lock by keypad.                                    | <ul style="list-style-type: none"> <li>❑ Make sure you have entered the correct User Code.</li> <li>❑ The battery is low if the battery indicator light keeps flashing. Please replace with four new batteries.</li> <li>❑ Make sure the cable is firmly connected.</li> <li>❑ Check the cable for any damage that may have occurred during installation.</li> <li>❑ Make sure the batteries are properly installed. (Alkaline batteries only.)</li> <li>❑ Check the strike plate to make sure it is properly aligned and clear so the bolt can freely move in the hole.</li> </ul> |
| Lockset is unable to reset.  | <ul style="list-style-type: none"> <li>❑ Please refer to Programming Instructions to restore factory settings and reprogram all codes.</li> <li>❑ The battery is low if the battery indicator light keeps flashing. Please replace with four new batteries.</li> </ul>  |
| How to operate the lockset in darkness?  | <ul style="list-style-type: none"> <li>❑ Press any button to activate the lockset back light.</li> </ul>  |
| The red indicator is still on after setting is completed.                          | <ul style="list-style-type: none"> <li>❑ Check if you entered correct user codes.</li> <li>❑ Re-install the batteries.</li> </ul>   |
| The lockset locks when I enter my code and unlocks when I press the <b>TECHO</b> . | <ul style="list-style-type: none"> <li>❑ Un-install the interior and exterior assemblies. Before re-installation, please follow these guidelines: Refer to Installation Instructions                             <ol style="list-style-type: none"> <li>1) Make sure the bolt is in the retracted position.</li> <li>2) Do not have any key in the cylinder during installation.</li> <li>3) Make sure the turn piece is inserted horizontally.</li> </ol> </li> <li>❑ Reset the unit to factory settings and reprogram the Master Code and User Codes.</li> </ul>                  |
| I cannot remove my key unless it is in the locked position.                        | <ul style="list-style-type: none"> <li>❑ Un-install the interior and exterior assemblies. Before re-installation, please follow these guidelines: Refer to Installation Instructions                             <ol style="list-style-type: none"> <li>1) Make sure the bolt is in the retracted position.</li> <li>2) Do not have any key in lock cylinder.</li> <li>3) Make sure the turn piece is inserted horizontally.</li> </ol> </li> </ul>   |

If the lock appears to be damaged or does not operate properly, please contact customer service for further assistance.