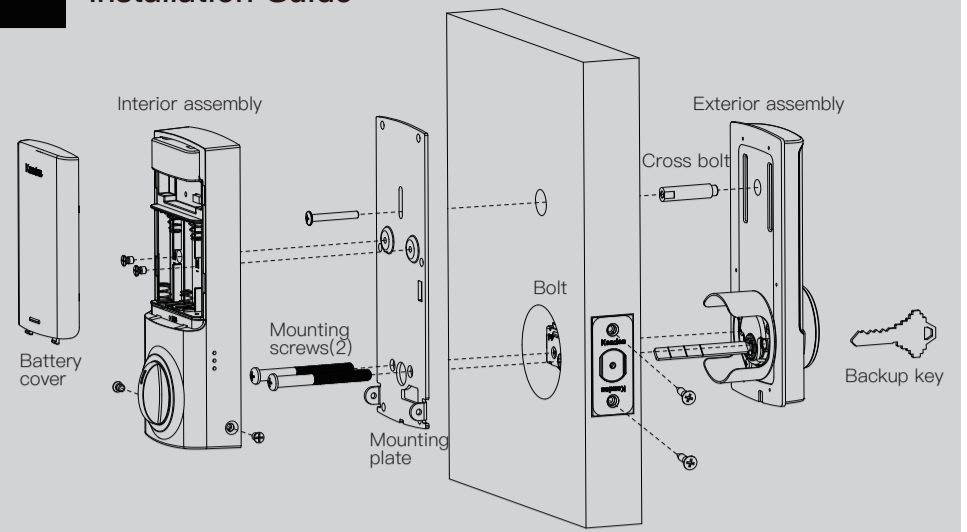


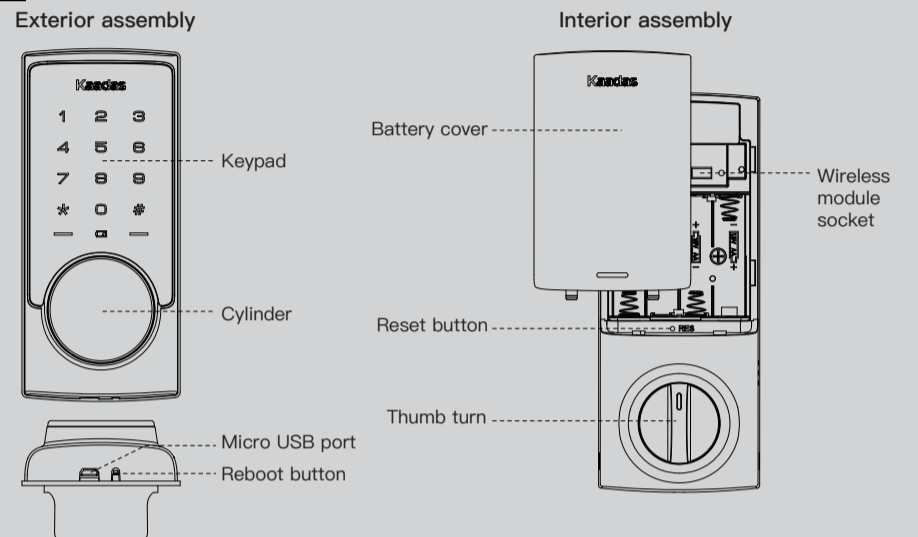
RX-C User Manual

www.kaadasgroup.com
Shenzhen Kaadas Intelligent Technology Co.,Ltd reserves all rights for the final interpretation to this user manual
All design and specifications are subject to change without notice.

1 Installation Guide



2 Specifications



| Item | Specifications | Remarks |
|-------------------|---|--|
| Exterior assembly | 158mm(L)x71mm(W)x29mm(H) 6-7/32"x2-51/64"x1-9/64" | Operation temperature: -4°F to 129°F (-20°C to 55 °C) |
| Interior assembly | 179mm(L)x72mm(W)x47mm(H) 7-3/64"x2-53/64"x1-27/32" | |
| Battery | AA alkaline battery x4 (Operation voltage: 4.6-6.0V) | Last up to six month (10 times open/close per day) |

3 Preparing for Installation

Additional Parts

Optional Bolt Faceplate



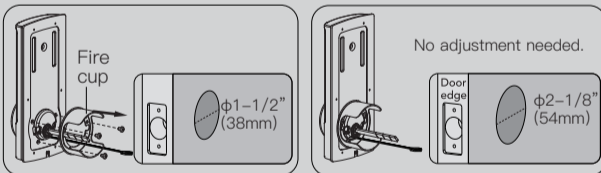
Tools Needed

1. 2-1/8" (54mm) hole saw
2. 1" (26mm) boring bit
3. 7/64" (2.5mm) drill bit
4. 3/8" (10mm) drill bit
5. Chisel&Hammer

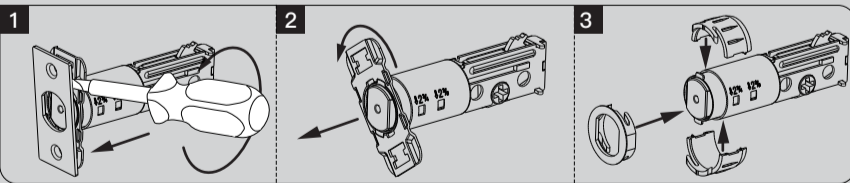
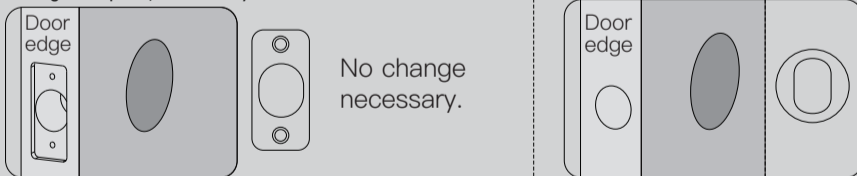
Lock installation #2 Philips screwdriver

Important Notice:
Make sure your door is prepared prior to installation. Only drill an upper hole if you wish the lock to have added stability. Please refer to the provided template for drilling if needed.

A. Measure the dimension of the hole shown. If the measurement is 1-1/2" (38mm), remove the fire cup.

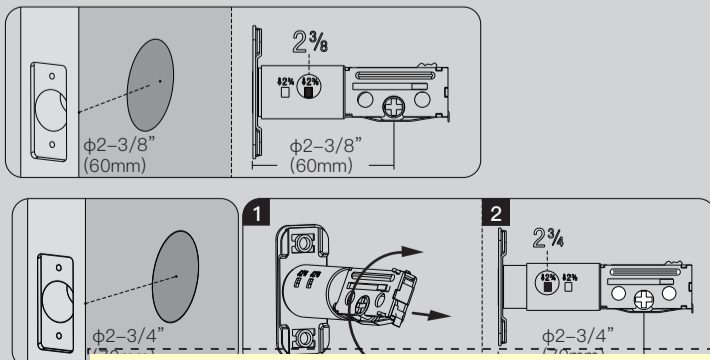


B. Change faceplate, if necessary.



C. Adjust the deadbolt.

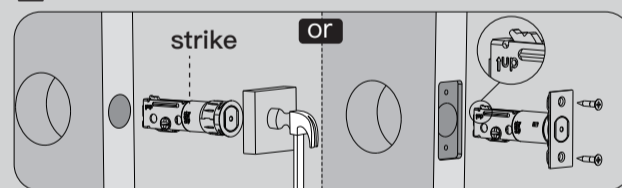
NOTE: Bolt ships with backset in 2-3/8" (60mm) position. If required, turn the bolt case and pull to extend to 2-3/4" (70mm) backset position. (see picture below)



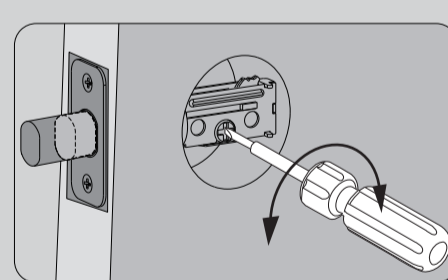
4 Installation

1. Install strike on the door frame.

NOTE: Make sure to allow for the bolt to be centered in the strike.

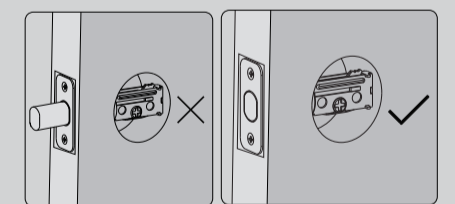


2. Use a screwdriver to test if deadbolt works smoothly.

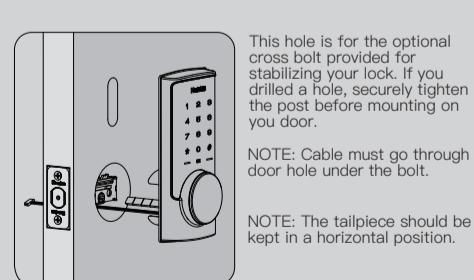


3. Make sure the bolt is in retracted (unlocked) position.

NOTE: The bolt must be in retracted (Unlocked) position before installing the lockset.



4. Hold the exterior assembly flush to the door, pull the key tailpiece and cable through the door hole.

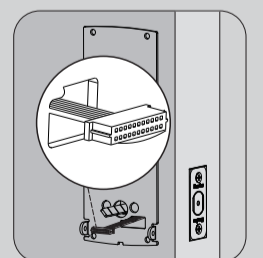


This hole is for the optional cross bolt provided for stabilizing your lock. If you drilled a hole, securely tighten the post before mounting on your door.

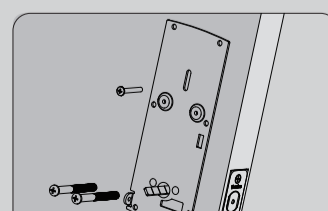
NOTE: Cable must go through door hole under the bolt.

NOTE: The tailpiece should be kept in a horizontal position.

5. Position the inside mounting plate by first routing the cable and connector through the mounting plate's cable hole.



6. Secure both assemblies using 8/32x34 and 1/4x65 screws. Make sure that exterior assembly is vertically aligned. Tighten securely with a #2 Philips screwdriver.



7. Attach cable assembly to the interior assembly PCB by lining up notches on top of cable connector to slots on PCB connector. Press connector in firmly using thumbs until completely connected.

