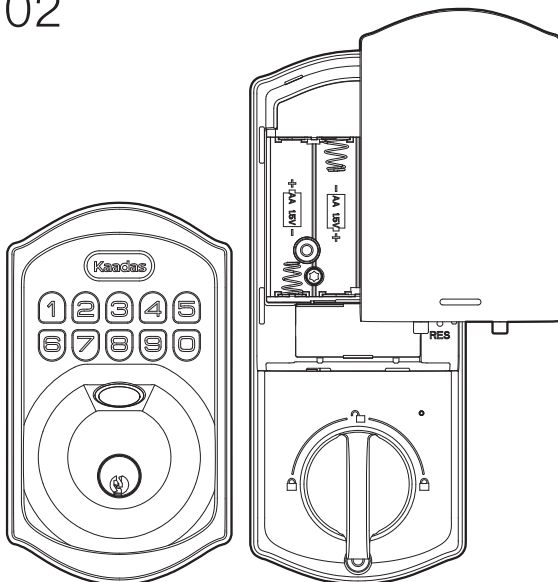


# Kaadas

## Smart Lock Installation Guide

KA202



kaadas reserves all rights for the final interpretation to this instruction

⚠ All design and specifications are subject to change without notice





Before Installing the Lock, Check  
Door Jamb and Door Preparation

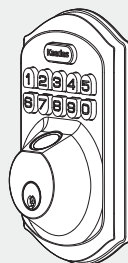


Door thickness :  
1-3/8" to 2"  
(35mm to 50mm)

Backset:  
2-3/8" or 2-3/4"  
(60 mm or 70 mm)

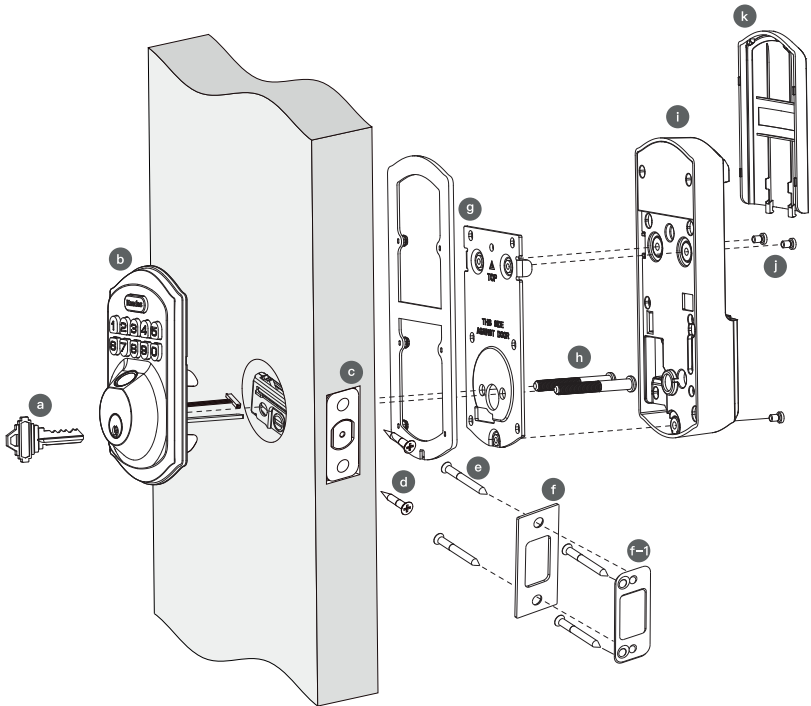
1-1/2" or 2-1/8"  
(38 mm or 54mm)

1"(25 mm)





# Parts List:



The details of part identification is shown on page 5.

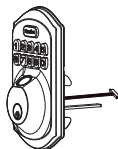


# Parts identification



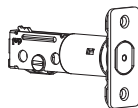
a

Backup Key



b

Exterior Assembly



c

Latch



Latch Screws

d



Strike Screws

e



Strike

f



(optional)

Reinforcement plate

f-1



Mounting Plate

g



(35mm<door thickness<50mm)

Screws

h



Interior Assembly

i



Screws

j



Battery Cover

k



Drive-In Collar

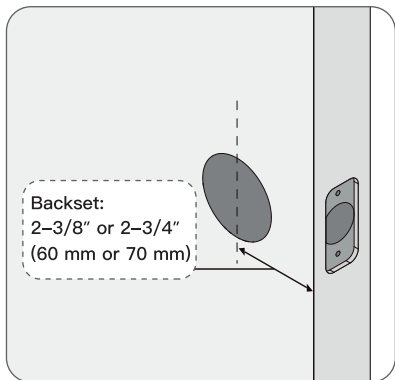
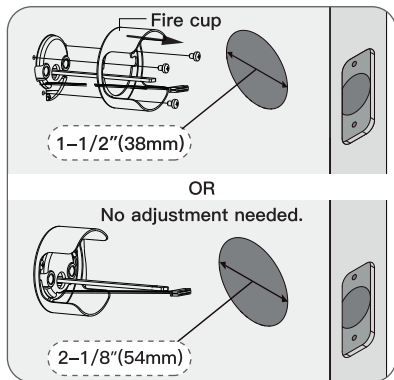
l



Reset Tool

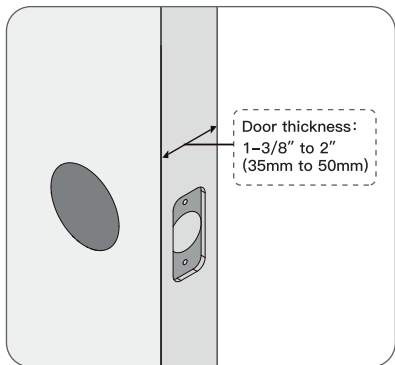
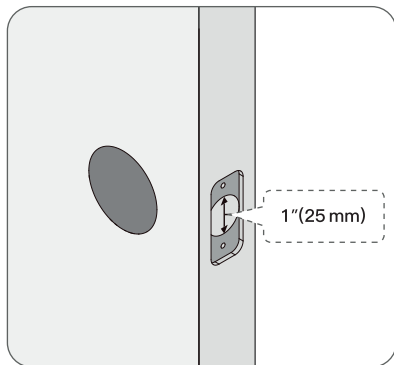
m

# 1. Prepare the door and check dimensions



Measure the dimension of the hole shown. If the measurement is 1-1/2"(38mm), remove the fire cup.

Measure to confirm that the backset is either 2-3/8" or 2-3/4" (60 or 70mm).

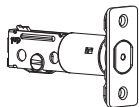
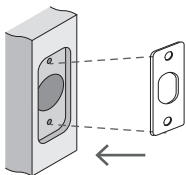


Measure to confirm that the hole in the door is 1"(25mm).

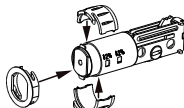
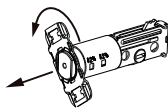
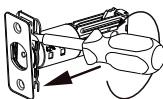
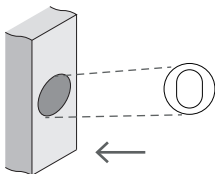
Measure to confirm that door thickness is between 1-3/8" and 2" (35mm to 50mm).



## 2. Choose faceplate

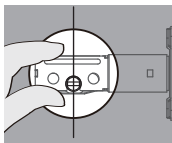


OR



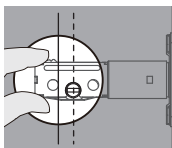
Drive-In Collar

## Is the slotted hole centered in the door hole?



**YES**

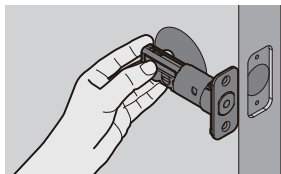
No adjustment is required.  
Proceed to next step.



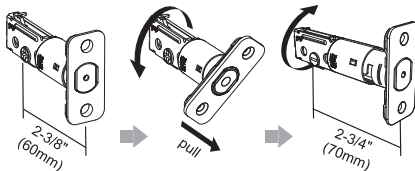
**NO**

Slotted hole is  
NOT centered.

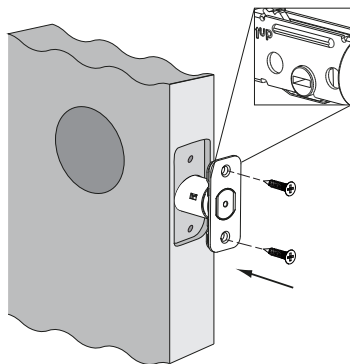
Rotate and pull the  
latch as shown to  
extend latch.



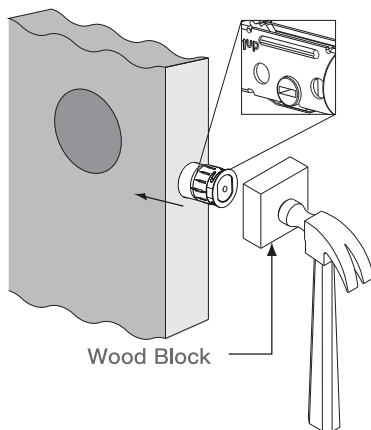
Hold the latch in front of the door hole, with the latch face flush against the door edge. Is the slotted hole centered in the door hole?



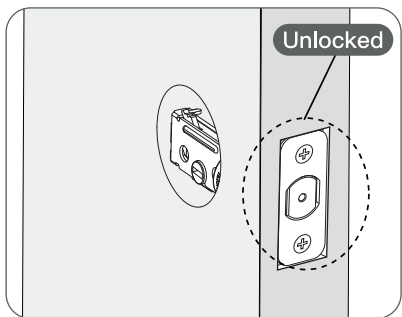
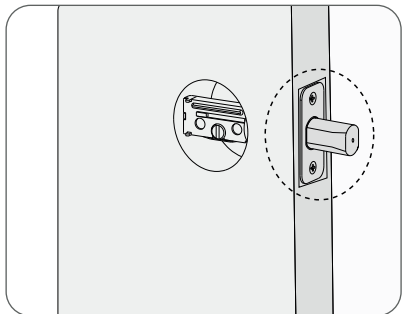
### 3. Install latch and deadbolt



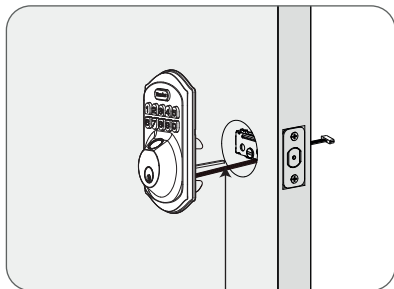
OR



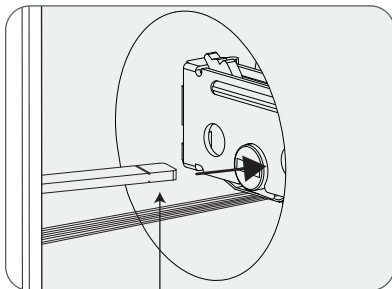
 **IMPORTANT:** Keep the latch in unlocked position before installation.



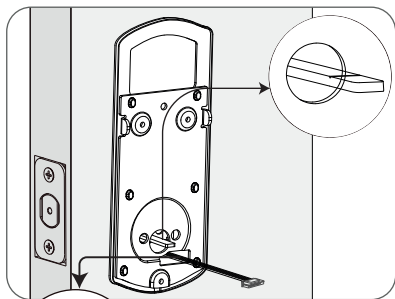
## 4. Install exterior assembly



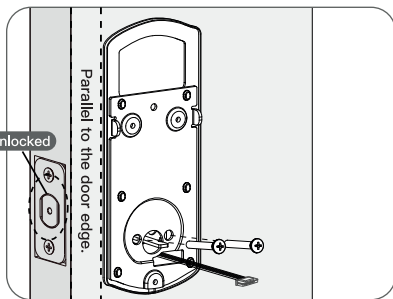
Route the cable below the latch.



**IMPORTANT:** Bolt must be in unlock position.  
Note horizontal orientation of torque blade.



Route the cable through the hole in the mounting plate.

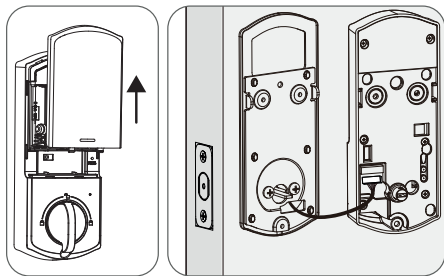


Secure the mounting plate with the supplied screws.

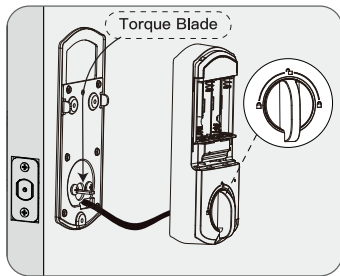
## 5. Install interior assembly



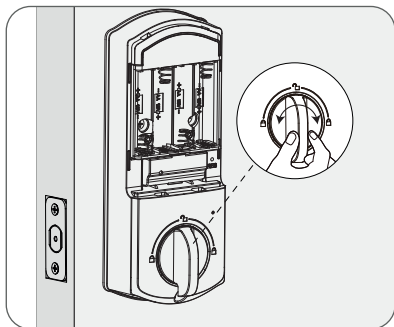
Do not load batteries until lock is completely installed.



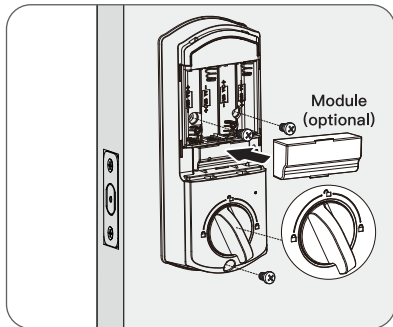
Remove the battery cover.  
Connect the cable and ensure tight cable connection.



Rotate the Thumb turn in vertical position and insert the horizontal orientation of torque blade into the inside escutcheon.



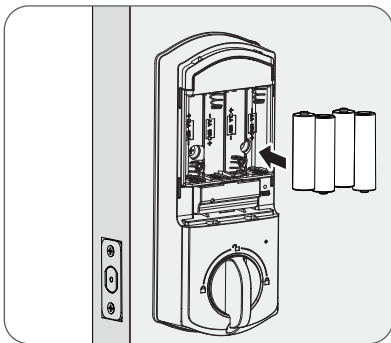
Test the lock by rotating the thumb turn to see if the bolt can be extended and retracted smoothly.



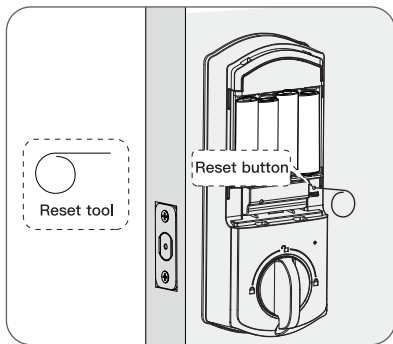
Secure the interior assembly with the supplied screws.

## 6. Detect left/right hand door installation

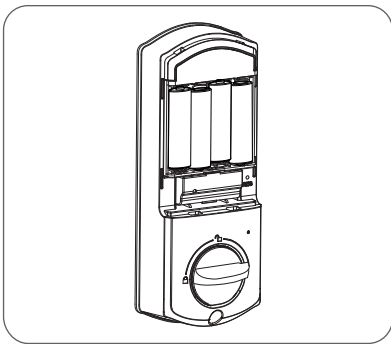
**⚠ IMPORTANT:** This step is required and crucial for the lock after installation!



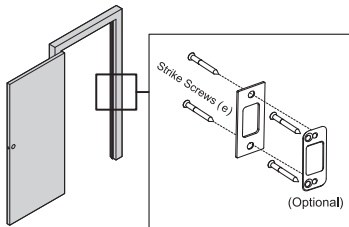
Keep your lock in “unlock” status, insert 4 AA batteries in battery pack.



Use a sharp thing to press and hold the reset button for more than 5 seconds until you hear the long sound of “BEEP”.



If reset is successful, the latch bolt will extend on its own to learn the orientation of the door.



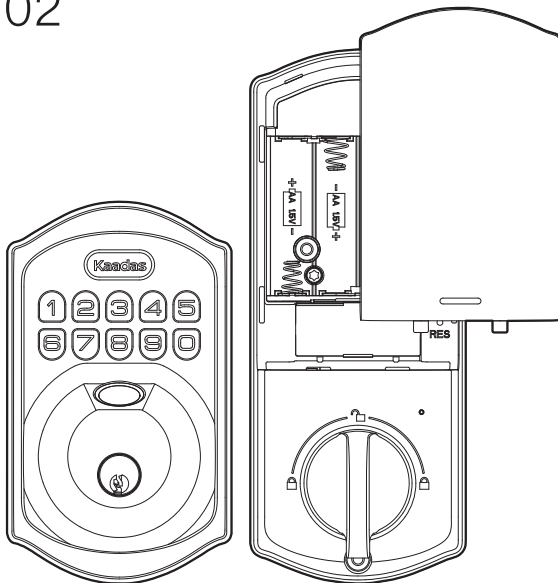
Install strike on the door frame.  
**IMPORTANT:** Make sure the hole in door frame is drilled a minimum of 1”(25mm) deep.

# Kaadas

## Smart Lock

## Programming Instructions

KA202



kaadas reserves all rights for the final interpretation to this instruction

⚠ All design and specifications are subject to change without notice

# Information and safety warnings



Do not load batteries until lock is completely installed.

- Protect your user codes and master code.
- Restrict access to your lock's interior assembly and routinely check your settings to ensure they have not been altered without your knowledge.
- This lockset is designed to provide the highest standard of product quality and performance. Care should be taken to ensure a long-lasting finish. When cleaning is required use a soft and damp cloth. Using lacquer thinner, caustic soaps, abrasive cleaners or polishes could damage the coating and result in tarnishing.

1. Master PIN Code (4-10 digits): The default master pin code is "12345678", It's required that you change it to a code of your own before programming.
2. User PIN Code (4-10 digits): A total of 250 user codes (and one temporary one-time user code) may be programmed.
3. Both master and user PIN codes don't support the following combination of numbers.

A. 

1	2	3	4	5	6	7	8	9
---	---	---	---	---	---	---	---	---

 ❌ Forward number sequence

B. 

9	8	7	6	5	4	3	2	1
---	---	---	---	---	---	---	---	---

 ❌ Backward number sequence

C. 

2	2	2	2	2	2	2	2	2
---	---	---	---	---	---	---	---	---

 ❌ Repeat number sequence

D. 

5	6	8	3
---	---	---	---

 ✓

5	6	8	3	9	1
---	---	---	---	---	---

 ❌ Contain existing code sequence

9	1	5	6	8	3
---	---	---	---	---	---

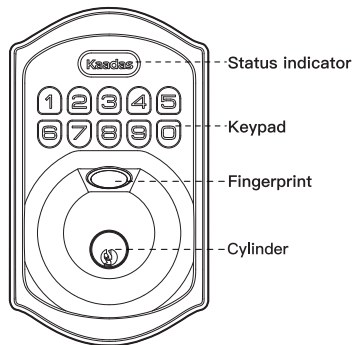
 ❌



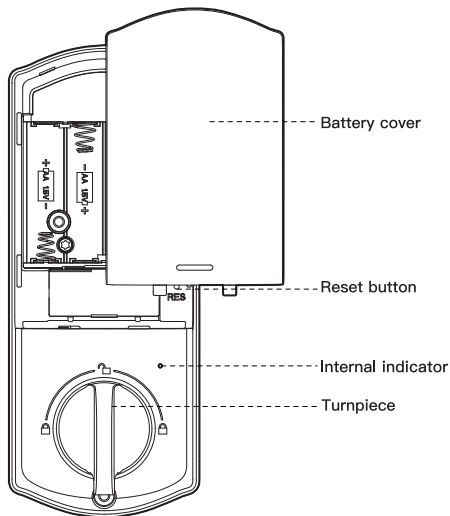


ITEM	SPECIFICATIONS	REMARKS
<p>Battery (Using only new and non-rechargeable Alkaline batteries which for the best results.)</p>	<p>AA alkaline battery x4 (Operation voltage:4.6~6.0V)</p>	<p>Last up to seven month (10 times open/close per day)</p>

## Exterior assembly



## Interior assembly



# Definitions

## Master code:

Required for programming and feature settings, Master code can be used to unlock the door under vacation mode. The default master code needs to be changed before programming. (Property owner/ manager should keep this information confidential.)

## Auto lock:

Automatically locks the deadbolt 30 seconds after unlocking. This feature is off by default. Auto Lock delay time support 30S, 60S, 120S and 180S setting.

## Wrong entry limit:

After 10 unsuccessful attempts at entering a valid PIN code, the unit will shut down for 3 minutes.

## Silent mode:

The beep sounds when pressing keypad can be muted. But you will still hear low battery and system alerts.

## Vacation mode:

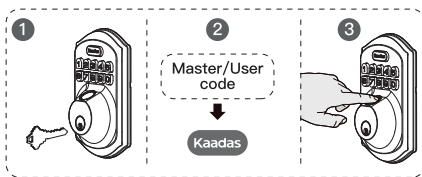
This is a security feature for you when you are leaving your home for vacation or long trip. Enabling vacation mode will restrict all user codes until master code is entered on keypad. If the lock is unlocked by thumb turn, the lock will sound an alarm.

## One time user code:

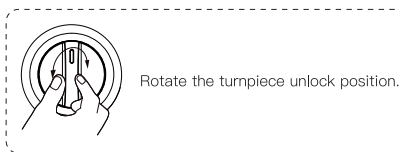
This code can only be used once and is automatically deleted when used.

# How to use?

## Unlock the door from outside



## Unlock the door from inside



## Lock the door from outside

### Auto re-lock mode

In auto re-lock mode, the bolt will extend automatically in 30 seconds after unlocking.

### Manual mode

Press any of the buttons on keypad for 2 seconds.



## Lock the door from inside

### Auto re-lock mode

In auto re-lock mode, the device will be automatically.

### Manual mode

Rotate the thumbturn to lock position.



# Z-Wave™ Module pairing instructions

## (Optional network module required)

**Z-Wave™ pairing setting can only be programmed through the Master Mode Menu at the Lock.**

1. Follow user guide of your Smart Hub or Network gateway to enter Learning or Pairing Mode.
2. Touch Keypad screen with your hand to activate lock.
3. Enter master mode.
4. Enter "0" to enter Network Setting.
5. Enter "1" to join network or "2" to exit network.
6. Follow steps on your 3rd party interface or network controller to sync Z-Wave™.

### CAUTION:

Optional Z-Wave™ or other Network Module is required to enable this feature. If the lock is connected to a network controller, it is recommended that all programming of PIN Codes and settings is completed through 3rd party user interface to ensure stable communication between lock and controller is maintained.

# Factory default settings

SETTINGS	FACTORY DEFAULT
Master code	12345678
Auto lock	Disabled
Silent mode	Disabled
Wrong code entry limit	10 times
Shutdown time	3 mins
Vacation mode	Disabled

## Restore factory default settings



This procedure will delete all user codes which associated with the lock.

1. Keep the door opening and unlocking;
2. Press and hold the reset button, taking out one battery and then place it back at the same time;
3. Keep holding the reset button for 5 seconds until you hear the sound of "BEEP".

## Troubleshooting

### • The turnpiece can't rotate or operate the lock?

Remove and re-install the lock, making sure that the turnpiece is in vertical position.

### • The lock can't be locked or unlocked by keypad?

Make sure that the codes are not disabled. If needed, restore the lock's default settings.

### • The keypad doesn't respond when touched(no lights are visible and no beeping is heard)?

Make sure the cables are properly connected, and make sure the batteries are new installed correctly.

### • After the installation of batteries, there is no response when you press any button and no beeps are heard.

Check the cable connection and the polarity of the batteries. also make sure the batteries are not dead.

### • Forget your master codes?

Perform a reset in order to erase all passcodes. Once the reset is complete, all passcodes will be erased and the master code will return to the default value(12345678).

## FCC Statement

This equipment has been tested and found to comply with the limits for a Class B digital device, pursuant to part 15 of the FCC Rules. These limits are designed to provide reasonable protection against harmful interference in a residential installation. This equipment generates, uses and can radiate radio frequency energy and, if not installed and used in accordance with the instructions, may cause harmful interference to radio communications. However, there is no guarantee that interference will not occur in a particular installation. If this equipment does cause harmful interference to radio or television reception, which can be determined by turning the equipment off and on, the user is encouraged to try to correct the interference by one or more of the following measures:

- Reorient or relocate the receiving antenna.
- Increase the separation between the equipment and receiver.
- Connect the equipment into an outlet on a circuit different from that to which the receiver is connected.
- Consult the dealer or an experienced radio/TV technician for help.

Caution: Any changes or modifications to this device not explicitly approved by manufacturer could void your authority to operate this equipment.

This device complies with part 15 of the FCC Rules. Operation is subject to the following two conditions: (1) This device may not cause harmful interference, and (2) this device must accept any interference received, including interference that may cause undesired operation.

### RF Exposure Information

This equipment complies with FCC radiation exposure limits set forth for an uncontrolled environment. This equipment should be installed and operated with minimum distance 20cm between the radiator and your body.

# ISED Statement

**English:** This device contains licence-exempt transmitter(s)/receiver(s) that comply with Innovation, Science and Economic Development Canada's licence-exempt RSS(s). Operation is subject to the following two conditions:

- (1) This device may not cause interference.
- (2) This device must accept any interference, including interference that may cause undesired operation of the device.

The digital apparatus complies with Canadian CAN ICES-3 (B)/NMB-3(B).

**French:** Cet appareil contient des émetteurs/récepteurs exempts de licence qui sont conformes aux RSS exemptés de licence d'Innovation, Sciences et Développement économique Canada.

L'exploitation est soumise aux deux conditions suivantes :

- (1) Cet appareil ne doit pas provoquer d'interférences.
- (2) Cet appareil doit accepter toute interférence, y compris les interférences susceptibles de provoquer un fonctionnement indésirable de l'appareil.

l'appareil numérique du ciem conforme canadien peut - 3 (b) / nmb - 3 (b).

This device meets the exemption from the routine evaluation limits in section 2.5 of RSS 102 and compliance with RSS 102 RF exposure, users can obtain Canadian information on RF exposure and compliance.

cet appareil est conforme à l'exemption des limites d'évaluation courante dans la section 2.5 du cnr - 102 et conformité avec rss 102 de l'exposition aux rf, les utilisateurs peuvent obtenir des données canadiennes sur l'exposition aux champs rf et la conformité.


This equipment complies with Canada radiation exposure limits set forth for an uncontrolled environment.


Cet équipement est conforme aux limites d'exposition aux rayonnements du Canada établies pour un environnement non contrôlé.


This equipment should be installed and operated with minimum distance 20cm between the radiator & your body.

Cet équipement doit être installé et utilisé à une distance minimale de 20 cm entre le radiateur et votre corps.

# Quick set up

 The default master code is 12345678. It's required that you change it to a code of your own before programming.

 When setting is unsuccessful, the indicator light will flash red.

 When the keypad light is off, you need to press any key to wake up the keypad in order to perform keypad operations.

