

Customer Name: _____

Customer Moder: _____

Customer P/N: 41-1420000078

Customer Describe: _____

YCX P/N: 41-1420000078

Customer Describe: _____

PRODUCT SPECIFICATION

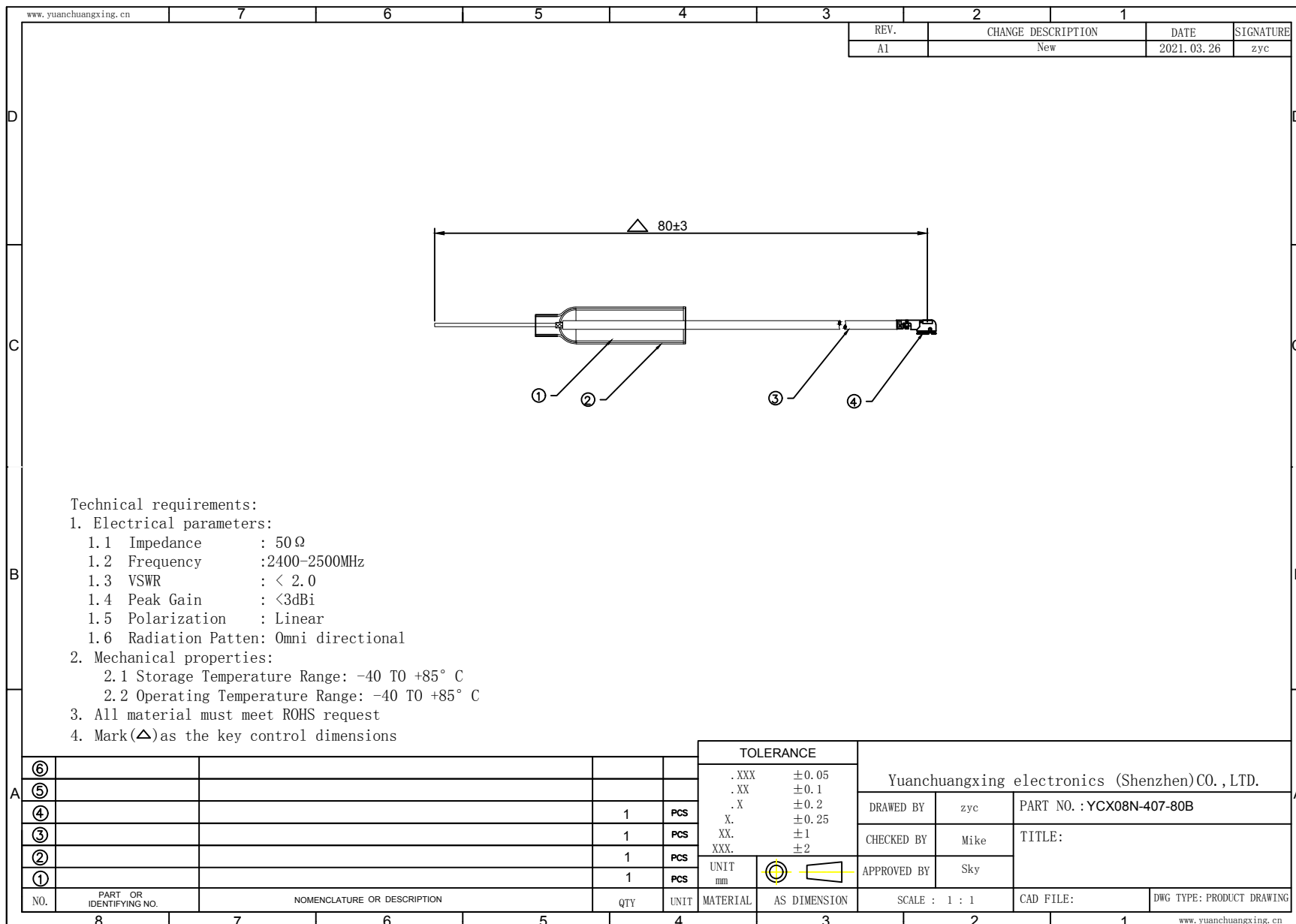
Signature and seal of confirmation					
YCX Approved			Customer Approved		
Sample	audit	approved	validation	audit	approved
YCX Approved By			Customer Approved By		
Date	2021-08-20		Date	2021-08-20	

3、 Directory

1、 directory.....	1
2、 File for amendment/revocation/resume.....	2
3、 directory.....	3
4、 Product drawings.....	4
5、 Passive performance test paramete.....	5
6、 2D、 3D Performance figure.....	6
7、 Electrical performance test report.....	7

Yuanchuangxing electronics (Shenzhen)CO.,LTD.

4、Product drawings



5、Passive performance test parameters

Frequency(GHz)	2.4	2.45	2.5
VSWR	1.29	1.49	1.57



7、Electrical performance test report

Electrical parameters	
Frequency range	2.4GHz-2.5GHz
input impedance	50Ω
VSWR	<2.0
Gain	2.4G-2.5G
	5.15G-5.85G
Polarization mode	Vertical polarization
Radiation direction	omnidirectional
connection method	IPEX
Cable	RF1.13 Black
Salt spray test	24H
Environmental parameters	
Working temperature	-40~85°C