

# Product specification

**Manufacturer:Shenzhen Kaadas Intelligent Technology co.,Ltd.**

**Model:TE009**

## 1. Technical indicators of products

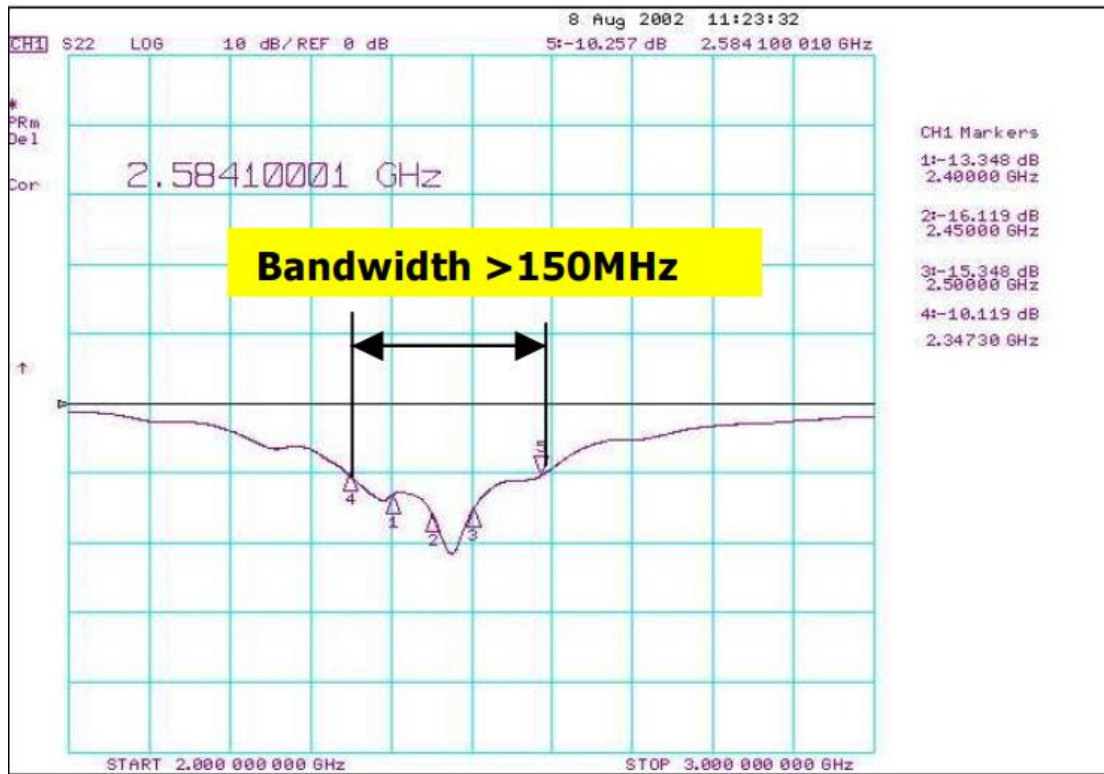
Frequency Range(MHz)	2400~2500
Band Width(MHz)	100
Impedance( $\Omega$ )	50
VSWR	1.91 MAX
Return Loss (dB)	-15.3
Peak Gain(dBi)	2.66
Polarization	Linear Vertical
Antenna Material	PCB
Operating Temp ( $^{\circ}\text{C}$ )	-20~65
Storage Temp ( $^{\circ}\text{C}$ )	-30~75

2.

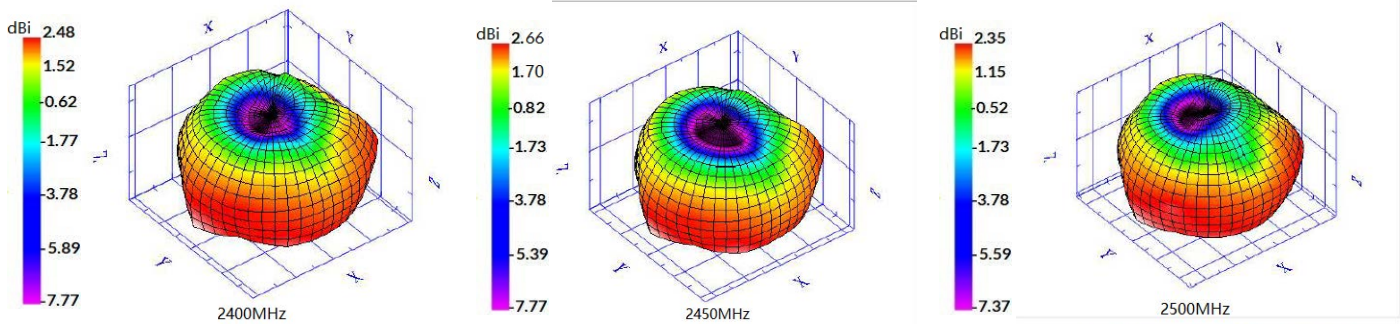
## 2. Product picture



### 3. Antenna 009 on Test Board



### 4. 3D gain pattern



Frequency (GHz)	2.40GHz	2.45GHz	2.50GHz
Peak Gain (dBi)	2.48	2.66	2.35