

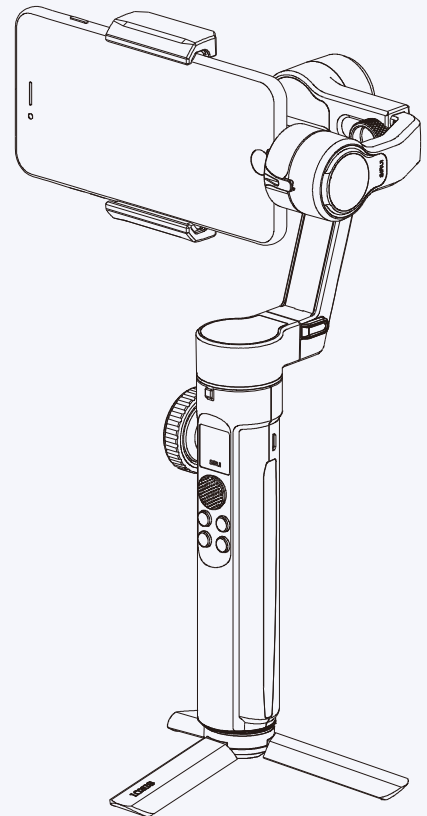


# Instructions

## SIRUI Swift M1 Gimbal



SIRUI Website



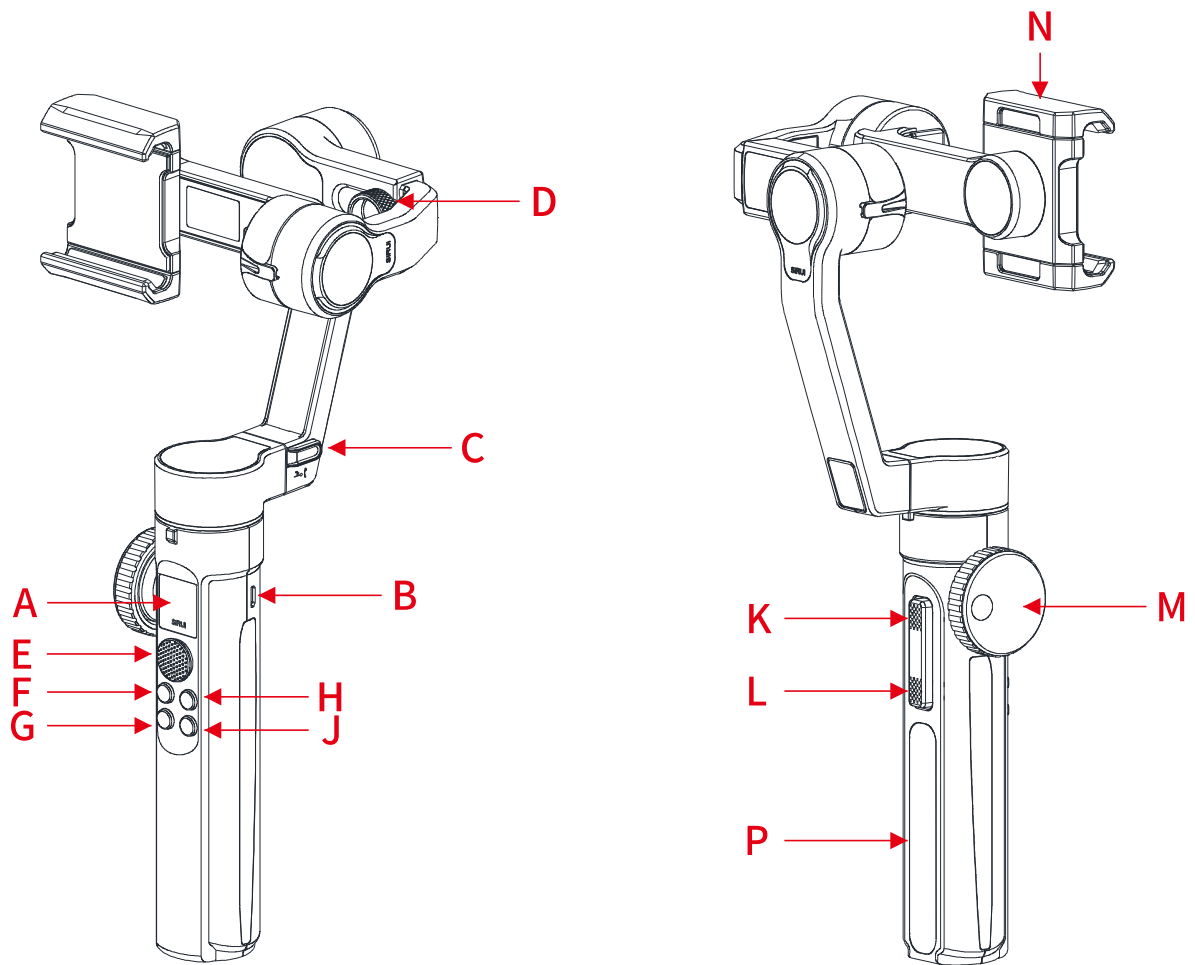
**GUANGDONG SIRUI OPTICAL CO.,LTD.**

Add: The Third Industrial District, Wuguishan Town, Zhongshan City,  
Guangdong, China (Zip Code: 528458)

Tel: 86-760-88897373 Fax: 86-760-88207062

E-mail: [info@sirui-photo.com](mailto:info@sirui-photo.com) Website: [www.sirui.com](http://www.sirui.com)

# Know the SIRUI Swift M1 Gimbal

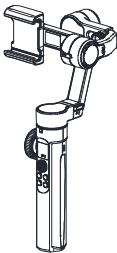


- A. LED User Interface
- B. USB Port
- C. Folding Release Button
- D. Balance Adjustment Knob
- E. Tilting/Panning Control Knob
- F. Shutter Button
- G. Instant App Control Button

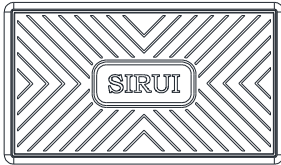
- H. Mode Switch Button
- J. Power Switch
- K. Function Key 1
- L. Function Key 2
- M. Wheel Dial
- N. Phone clamp
- P. Gimbal Handle

※ Mobile phone is not included.

**Included:**



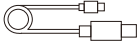
Swift M1 Gimbal x 1



EPP Protective Case x 1

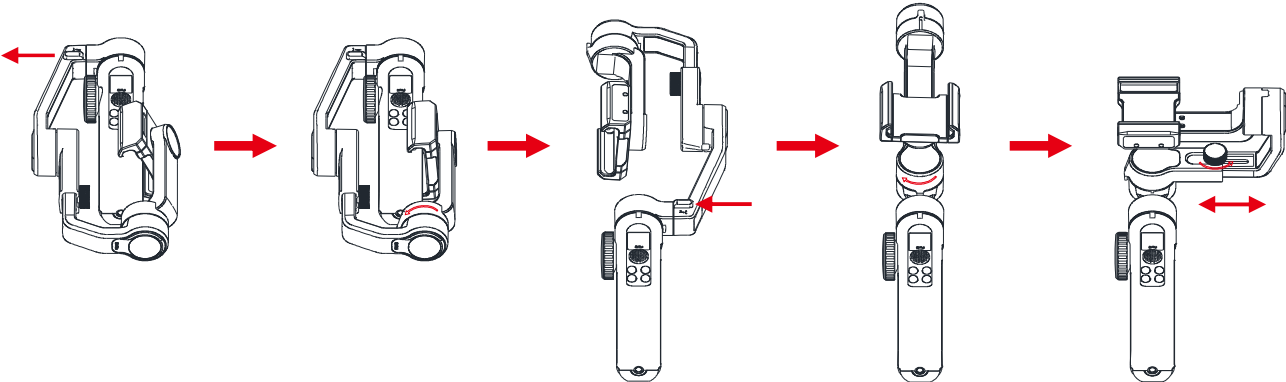


Tripod x 1



USB Cable x 1

**Unfold the Gimbal:**



※To fold the Gimbal, follow the steps in reverse.

## 1. Download the SIRUI Swift App

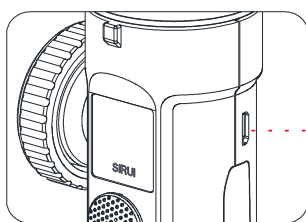
The SIRUI Swift App is required for use with the Gimbal. Search for the "SIRUI Swift" App on your Mobile App Store or scan the QR code below to download.



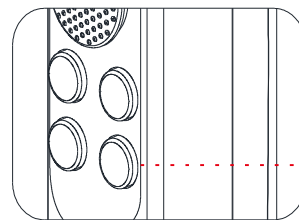
 The SIRUI Swift app requires iOS 9.0/Android 5.0 or later.

## 2. Charge and Power on/off the Gimbal

Before use, plug the USB cable provided into the mini USB port on the handle and the other end to a power source (2A charging current) to charge for 2 hours. The charging status will be displayed on the LED UI.



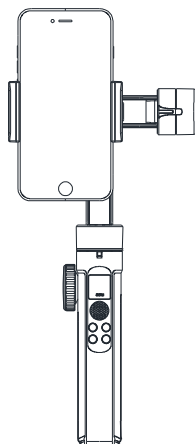
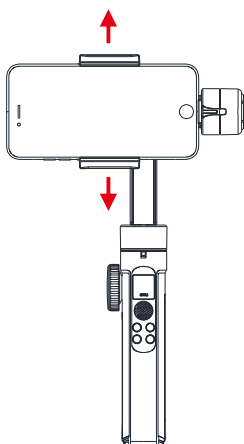
USB Charging Port  
(5V 1.5A)



To power on/off the Gimbal,  
press and hold the Power  
Switch for 3 seconds.

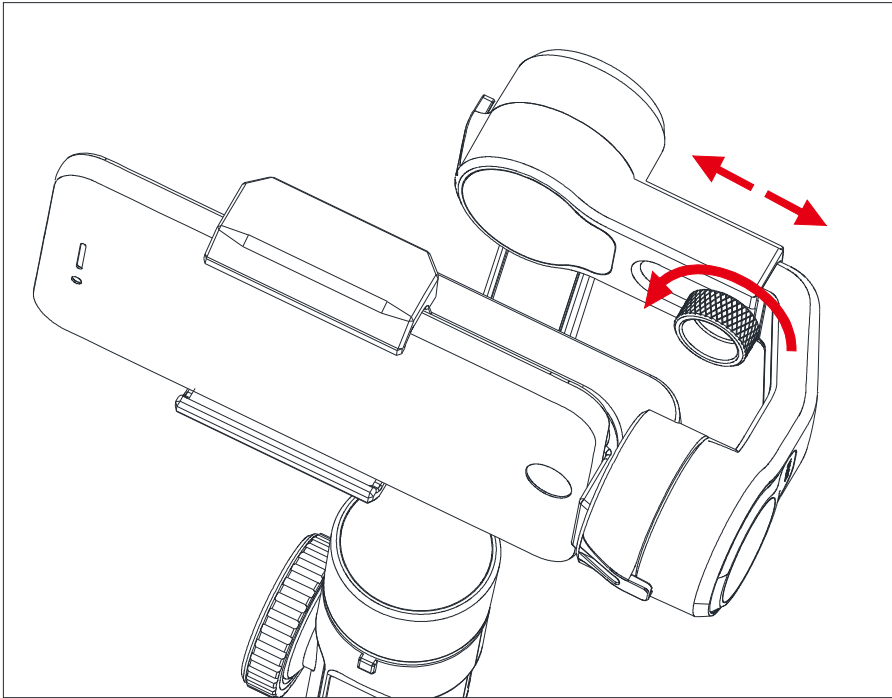
## 3. Attach the mobile phone to the Gimbal

 It is recommended to power off the Gimbal before attaching or balancing a mobile phone.



※Rotate the phone clamp to adjust the orientation of the phone to portrait or landscape.

**Turn the Balance Adjustment Knob to level the mobile phone:**

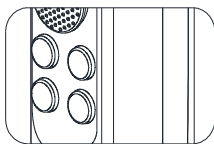


**Note:** The Gimbal will not function properly if the phone is not balanced.

#### **4. Connect the SIRUI Swift App and the Swift M1 Gimbal**



① Turn on the mobile Bluetooth



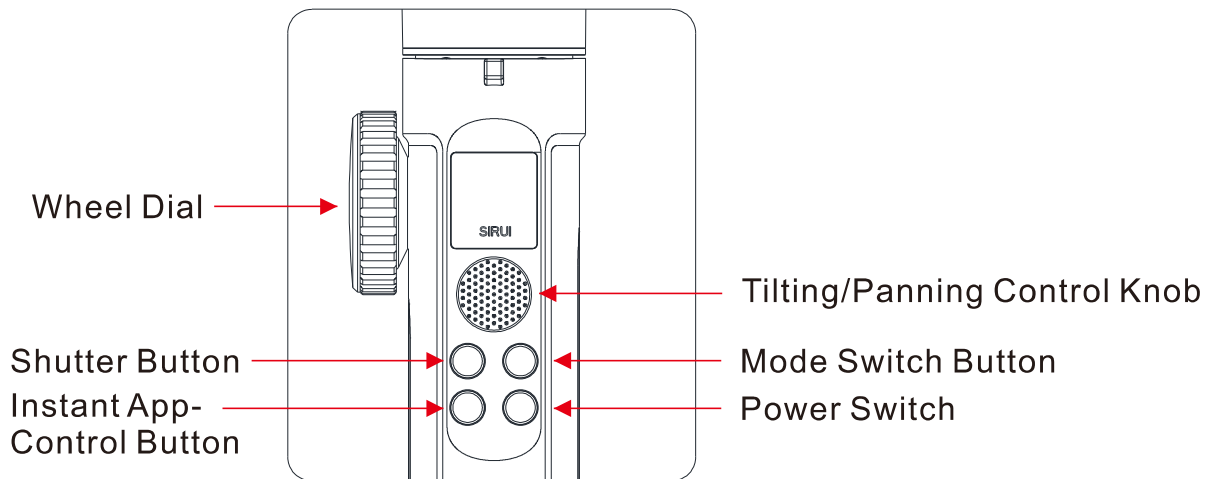
② Power up the Gimbal



SIRUI Swift

③ Activate the SIRUI Swift App and follow the steps to connect the App and the SIRUI Swift M1 Gimbal.

## 5. Operation



- ⊕ To power up or off the Gimbal, press and hold the Power Switch for 3 seconds.
- Press the shutter button to control shooting when connected to the App.
- ⊖ Press the Mode Switch Button to select one of the 4 Shooting Modes.



### **TL** Tilting-Following Locked:

Switch to lock the Tilting-Following feature while actively tracking the shooting object as you pan and roll the Gimbal.



### **TF** Tilting-Following:

Press the mode switch button to unlock Tilting-Following mode for Active Triaxial Track (Tilting-Rolling-Panning).



### **L** Locked:

Lock the Active Triaxial Track.



### **PV** POV (Point of View):

Switched for POV shots.

Wheel Dial: Press down the wheel dial to switch shooting motion modes:



### **TL** Zooming:

Turn the dial to zoom in and out.



### **TL** Focusing:

Turn the dial to focus.



### **TL** Panning Motion:

Turn the dial to control panning.



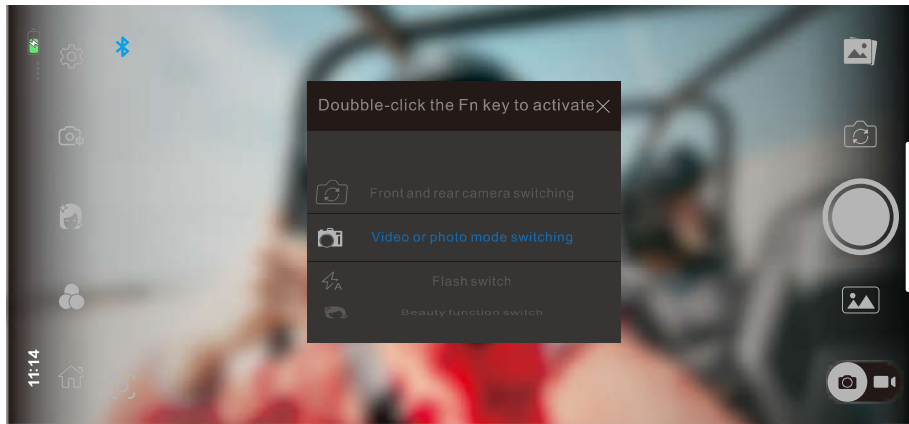
### **TL** Tilting Motion:

Turn the dial to adjust the tilt.

## Instant App Control Button:

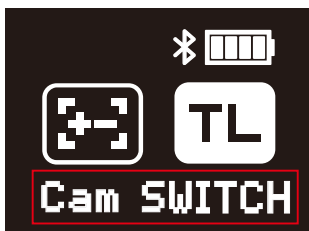
For instant shooting control via the App Control Button, connect the Gimbal to the SIRUI Swift APP.

To display the Option Menu, press the App Control Button. Turn the Wheel Dial to set options. Press the App Control Button to exit the menu.



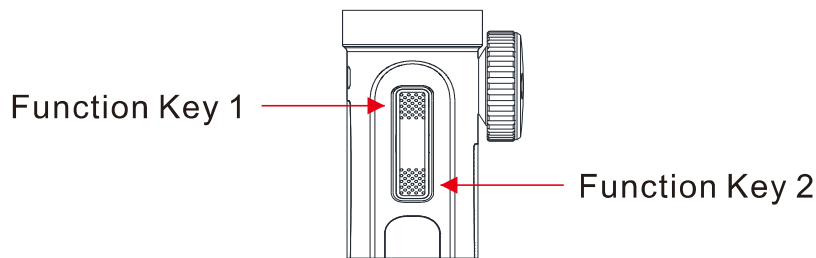
Press the Fn button twice to activate the selected option and to close the App menu page.

When the Gimbal connects with the App, the activated option will display at the bottom of the LED UI. The following options are included:



No.	Option Description	Option Display on the LED UI
1	Front/Rear Cam Switch	Cam SWITCH
2	Image/Video Mode Switch	Mode SWITCH
3	Flash On/Off	Flash
4	Beauty Mode On/Off	Facial
5	Beauty Filters On	Filter
6	Face Track On/Off	F - Track
7	Shooting Object Track On/Off	X - Track
8	90 Degree Panorama Shot	PAN 90
9	180 Degree Panorama Shot	PAN 180
10	360 Degree Panorama Shot	PAN 360
11	Sudoku Mode 1 Activated	Sudoku 1
12	Sudoku Mode 2 Activated	Sudoku 2
13	Motion Zoom	Hitchcock
14	Timelapse Shot	Timelapse
15	Path Timelapse Shot	Path TMLP
16	3×3 Ultra Wide Angle Panorama Shot	Wide Shot

## Function Keys located on the back of the Gimbal handle:



### Function Key 1:

Press and hold down the upper Function Key 1 to activate the "Panning-Following" mode. Track the shooting objects actively as you pan the Gimbal and the phone quickly or proceed to move on to the next scene.

### Function Key 2:

Press and hold down the lower Function Key 2 to switch between "Tilting-Following" and "Locked" modes.

Press the Function Key 2 twice to reset all axes.

### Icons Displayed on the UI:



Bluetooth Connection:

This Bluetooth icon will flash when no longer connected.



Battery Level:

This battery indicator shows the current battery state and will flash when the battery level is low.



M-BLK Flash:

When blocked during use, M-BLK will flash on the LED. To correct this, respond within 2 minutes by checking that the Gimbal Motor operation is blocked then press the Function Key 2 twice to resume operation. The Gimbal will otherwise automatically power off.



Battery Charging:

This indicates that the battery is charging while powered off. Refer to the LED User Interface for the charging level status.

**Warning:** The Gimbal will automatically power off as you plug the USB cable into the USB port to charge when the Gimbal powers on. You can cancel the Auto Power-off in the App.

### Specifications of the Swift M1 Gimbal:

Product	Swift M1 Gimbal	Static Battery Life to Battery Runtime	6 Hours
Model	SIRUI Swift M1	Operating Temperature	-10°C to 45°C/ 14°F to 113°F
Folded Size	218×115×63mm/ 8.6×4.5×2.5inches	Load Range to Load Capacity	140 to 240g/ 0.31 to 0.53lbs
Weight	498g/1.1lbs	Tilting Range	330°
Charging Voltage/Current	5V/1.5A	Rolling Range	160°
Battery Capacity	2000mAh	Panning Range	330°



## Cautions:

1. Please avoid placing the Gimbal into fire or near hot substances or liquid.
2. Please avoid fall or external impact damaging the Gimbal.
3. Please charge the Gimbal with battery chargers in accordance with safety regulations.
4. Do not disassemble, repair or modify the Gimbal personally.
5. Forbid to clean the Gimbal with liquid cleaning agent.
6. Forbid to interfere by force when the Gimbal functions.

## WARRANTY CARD / INFORMATION

**Dear SIRUI Customer,**

Thank you for your purchase of SIRUI Professional Products! SIRUI warrants that your purchase is free from defects in materials and workmanship under normal use during the Limited Warranty Period. The Warranty begins on the original date of purchase on your sales receipt and is not transferrable. If service is required, a copy of the sales receipt must be included with an explanation of the problem.

Product	Warranty Length
<b>SIRUI Swift M1 Gimbal</b>	<b>1 year</b>

Model: \_\_\_\_\_ Date: \_\_\_\_\_

Store: \_\_\_\_\_ Serial Number: \_\_\_\_\_

**Warranty coverage can differ from region to region.**

**Please see the contact information below for product registration, information and service for the region the product was purchased in.**

SIRUI 1 Year Limited Warranty of the product. This warranty shall be limited to repair, adjustment and/or replacement at SIRUI or its authorized distributors option, of defective parts, free of charge (except the cost of transportation to the distributor/service center). Responsibility is limited to the actual cost of the item. Call or Email with questions and service before sending any product to the center in your region. Below is a listing of contact information for Product Registration, Service Inquiries and Questions. SIRUI will not be responsible for expenses or inconveniences, or consequential damages to equipment, or by breach of any expressed or implied warranties.

**Limitations:**

Warranty is non-transferable.

This warranty covers all defects encountered in normal use of the equipment and does not apply in the following cases:

1. If the equipment has been serviced by other than an authorized SIRUI Service Center.
2. Damage to the equipment caused by modification, overloading, mishandling, abuse, accident, sand\*, corrosives, water damage\* or by not following recommended use as instructed.
3. No valid proof of purchase is provided.
4. Damage caused by acts of nature (including, but not limited to fires, floods or earthquakes).
5. Scratches produced by normal wear and tear or damages caused by improper storage in extreme temperatures or humidity.
6. Batteries and other consumable parts are not in warranty.
7. Damage related to improper use with other third party products.
8. Any attempt to access circuitry or by using non SIRUI replacement batteries.

Note: This product is intended for personal home use. This product is not intended for commercial use and will not be covered under warranty.

**Warranty Address and Contact Information:**

(Please contact the seller or the local distributor where the product was purchased for warranty issues or questions and before any product is sent.)

1. Guangdong SIRUI Optical Co., Ltd.

The Third Industrial District, WuguishanTown, ZhongshanCity, Guangdong, China

Tel:0086-760-88897373 Fax:0086-760-88207062

Http://www.sirui.com E-mail: info@sirui-photo.com

Service Hotline: 0086-400 830 2299

Complaint Hotline: +86-181 6563 9388

(Monday to Friday: 8:15am~12:15pm, 14:00pm~18:00pm)

2. SIRUI USA, LLC

Add: 29 Commerce Court Verona, NJ 07044

www.sirui.com

Service: Toll Free 866-373-0829 E-mail: info@sirui.com

FOR PRODUCTS PURCHASED IN THE USA PLEASE SEE:

For full details on USA Warranty Terms and Limitations:

<https://www.siruiusa.com/warranty.html>

To register products: <https://www.siruiusa.com/product-registration.html>

3. European Service Center

Add: SIRUI Optical GmbH • Ernst-Augustin-Str.1a • 12489 Berlin • Germany

Phone:+49 30 991 94 94 00 • Email: Info@siruioptical.eu

※The company reserves the right to upgrade products and modify product specifications without prior notice. Please accept our apologies for any inconvenience we may have caused.

## **FCC Statement**

This equipment has been tested and found to comply with the limits for a Class B digital device, pursuant to part 15 of the FCC Rules. These limits are designed to provide reasonable protection against harmful interference in a residential installation. This equipment generates, uses and can radiate radio frequency energy and, if not installed and used in accordance with the instructions, may cause harmful interference to radio communications. However, there is no guarantee that interference will not occur in a particular installation. If this equipment does cause harmful interference to radio or television reception, which can be determined by turning the equipment off and on, the user is encouraged to try to correct the interference by one or more of the following measures:

- Reorient or relocate the receiving antenna.
- Increase the separation between the equipment and receiver.
- Connect the equipment into an outlet on a circuit different from that to which the receiver is connected.
- Consult the dealer or an experienced radio/TV technician for help.

Caution: Any changes or modifications to this device not explicitly approved by manufacturer could void your authority to operate this equipment.

This device complies with part 15 of the FCC Rules. Operation is subject to the following two conditions: (1) This device may not cause harmful interference, and (2) this device must accept any interference received, including interference that may cause undesired operation.

### **RF Exposure Information**

The device has been evaluated to meet general RF exposure requirement. The device can be used in portable exposure condition without restriction.