

BW-VC1

Robot Cleaner

User Manual

目录

SAFETY	6
Usage Restrictions	6
Battery & Charging.....	7
ABOUT YOUR BW-VC1 ROBOT CLEANER	7
Main Body.....	7
Component Structure	9
Exterior View	9
Charging Station.....	10
Power Cable	10
NETWORK CONFIGURATION AND BINDING.....	10
Reset Network	11
Bind Your Robot Cleaner.....	11
APP FUNCTIONS	11
Sweep	11
Spot Sweeping	12
Set Sweeping Areas.....	13
Drawing Sweep	13
Restricted Areas.....	14
Software Virtual Wall.....	15
Schedule Task	15
Restart Localization.....	15
Share Your Device.....	17
Firmware Upgrade.....	17
Consumables Monitoring.....	17
Locate the Robot.....	17
Map Management	17
Do Not Disturb Mode.....	19
Parental Lock Mode	19
MAINTENANCE	19
Main Brush.....	19
Side Brush	20
Dust Bin and Filter	21
Battery	21
Charging Electrode.....	22
Mecanum Wheel	22
Sensor	23
Reset System.....	23
SPECIFICATIONS	23

BW-VC1 Robot Cleaner	23
Charging Station.....	24
TROUBLESHOOTING	24
FAQ	25

SAFETY

Please use the robot cleaner only as instructed by in this user manual. Any bodily injury or property damage caused by improper usage of this product is at the user’s own risk.

Usage Restrictions

1. When the robot finishes cleaning, turn off the robot’s power switch or keep it attached to the Charging Station, otherwise, the robot cleaner will remain in standby mode and continue to consume electricity.
2. The robot is for use indoors only. Please do not use it in outdoor environments including balcony's.
3. The robot is for cleaning floors only. Do not operate it on any other indoor surface including sofas, dining-tables, tea tables, and other furniture.
4. Do not use the robot in environments where it may fall down and cause bodily injury and property damage (such as the top floor of a loft house).
5. The operating temperature range of the robot is 0℉-40℉. Please do not use it under extreme temperatures, or it may damage the battery and charging station.
6. Do not use the robot on floors with liquid or sticky objects, mop up liquids and remove sticky objects before using the robot.
7. Before using the robot, pick up power cables and small objects which may affect the performance of the robot.
8. Make sure all fragile, unsteady, valuable or dangerous objects are taken off the floor or secured, to prevent bodily injury and property damage.
9. Do not let people with disability in mind, body or perception use this product. place the robot, the charging station, and all its parts well to prevent kids touch, any bodily injury and property damage.
10. Do not sit or stand on the robot.
11. Small children and pets should be supervised when the robot is working.
12. Do not put your finger or any other object into the suction inlet or air outlet of the robot when it is working.
13. Before using the robot, make sure there are no hot or burning objects on the ground such as a burning cigarette.
14. Do not use the robot to clean long hair carpet, as it may become tangled and cause property damage.
15. The robot may not work properly on some dark-colored surfaces.
16. Do not use the robot to pick up sharp objects like glass, nails or pins.
17. Do not place anything on the top of the robot, such as thin film, a protection cover or a blanket.
18. When manually moving the robot, please make sure that its laser range scanner is protected to prevent it from damage.
19. Always turn off the robot and unplug the charging station before you clean them. Do not use chemicals when you clean the robot or the charging station, simply wipe them with a soft and dry cloth.

Battery & Charging

1. If the robot cleaner is not in use, please keep it on the charger or turn it off, otherwise, the battery will be drained within 24 hours.
2. Please make sure that the charging station is connected to a compatible power source.
3. Do not use any battery, charging station or charging cable from any third parties.
4. Do not open, fix or modify the charging cable, power adapter, charging station or battery without permission.
5. Do not put the robot or the charging station near any heat source including but not limited to: Heating radiators, induction cookers, ovens, and hairdryers.
6. Do not clean or touch the charging station or the charging electrodes of the robot with a wet cloth.
7. Do not throw a used battery in the regular waste. Please send the used battery to professional battery recycle organization.
8. Do not use the power cable if it is broken or damaged. Please contact our customer service to choose and purchase a quality replacement cable.
9. If you need to transport the robot, please make sure it is powered off and packaged in its original packing box.
10. If you don't use the robot for a long time, please fully charge it and turn it off. You need to store it in a cool and dry place and charge it every three months to prevent over-discharge.

ABOUT YOUR BW-VC1 ROBOT CLEANER

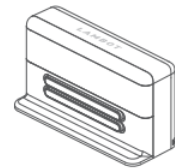
Unpacking

When you unpack the product box, you will find the following parts and accessories.

Please check whether they have been included in the box.



Lambot



Charging Station

- Quick Start X1
- User Manual X1
- Robot Cleaner X1
- *Dust Bin X1
- *Filter X1
- *Side Brush X2
- *Main Brush X1
- Cleaning Brush X1
- Charging Station X1
- Power Cable X1



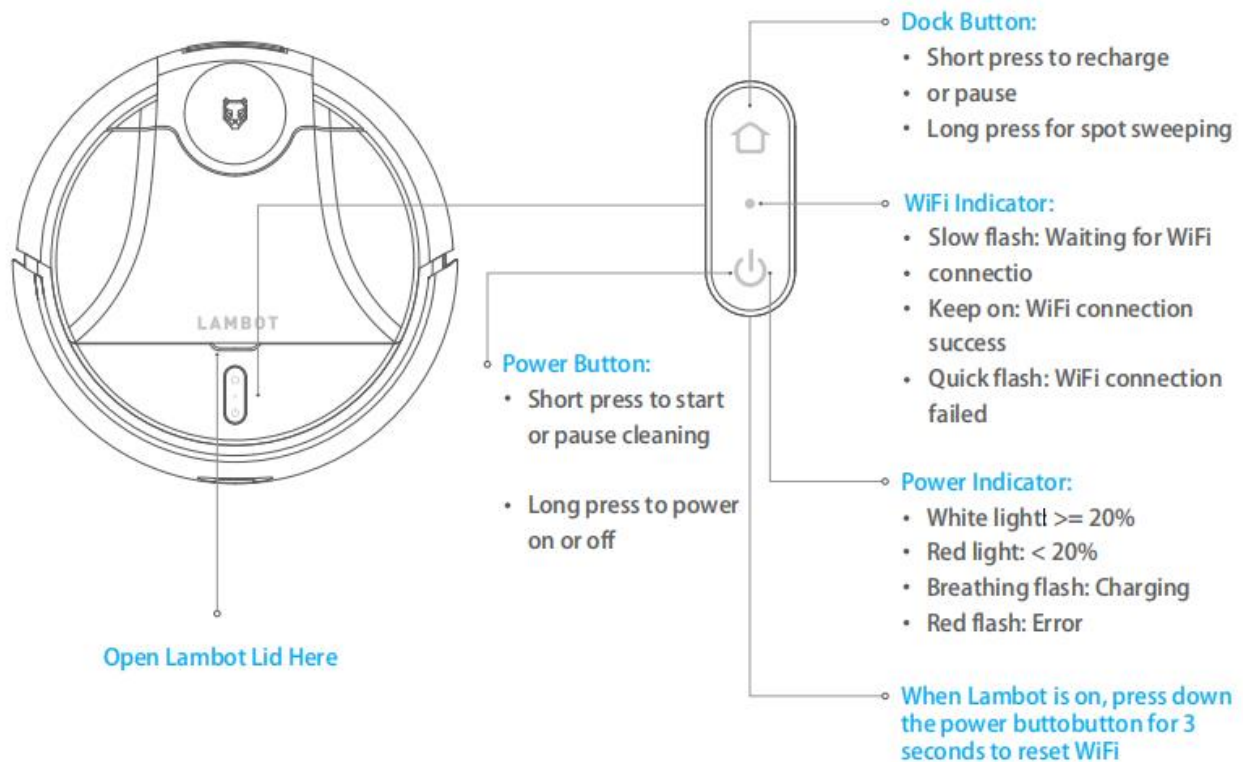
Power Cable



Cleaning Brush

* This part is already installed in the Robot

Main Body



Open Top Lid Here

Power Button:

Short press to start or pause cleaning.
Long press to power on or off.

Dock Button:

Short press to recharge or pause.
Long press for spot sweeping.

Wi-Fi Indicator:

Slow flash: Waiting for Wi-Fi connection.
Solid on: Wi-Fi connected.
Quick flash: Wi-Fi connection failed.

Power Indicator:

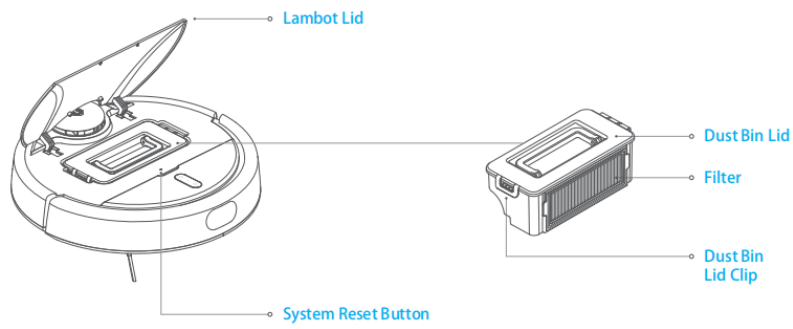
White light: $\geq 20\%$
Red light: $< 20\%$
Flashing white: Charging
White light: fully charged
Red flash: Error

When the robot cleaner is on, press the power button and dock button simultaneously for 3s to reset Wi-Fi settings.

Component Structure

Lambot

Dust Bin



BW-VC1 Robot Cleaner

Dust Bin

Top Lid

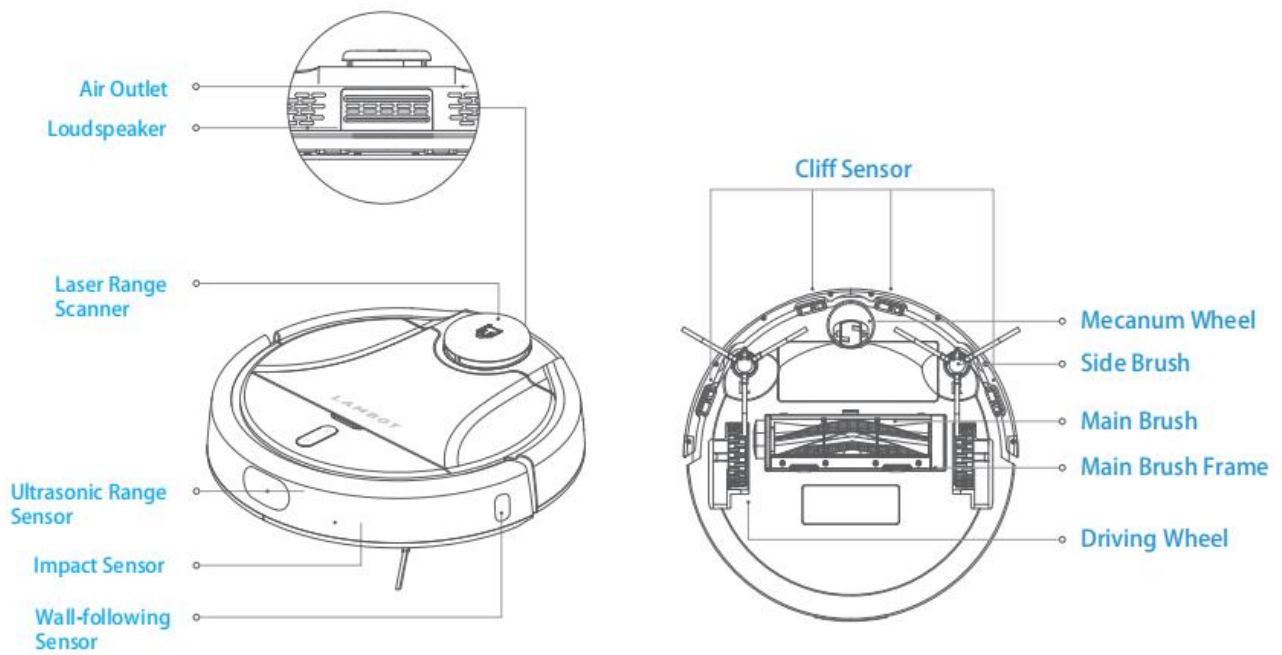
System Reset Button

Dust Bin Lid

Filter

Dust Bin Lid Clip

Exterior View



Air Outlet

Loudspeaker

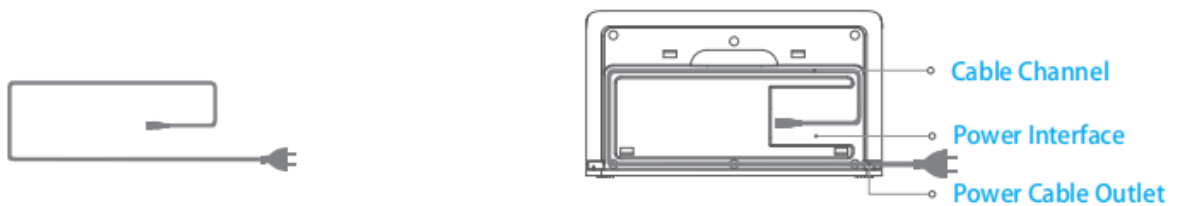
- Laser Range Scanner
- Ultrasonic Range Sensor
- Impact Sensor
- Wall-falling Sensor
- Cliff Sensor
- Mecanum Wheel
- Side Brush
- Main Brush
- Main Brush Frame
- Driving Wheel

Charging Station



- Recognition Zone
- Charging Electrode
- Handle
- Back Lid

Power Cable



- Cable Channel
- Power Interface
- Power Cable Outlet

NETWORK CONFIGURATION AND BINDING

Before setting up the network for your robot cleaner, please make sure your smartphone and robot cleaner are in an area with consistent WiFi coverage. If possible, position them as close as possible to the router. Only 2.4GHz Wi-Fi is supported, 5GHz Wi-Fi is NOT supported.

Reset Network

Turn on the robot cleaner, press down the power and the dock button simultaneously until the robot cleaner sends out a voice prompt and the Wi-Fi indicator light begins flashing slowly.

Bind Your Robot Cleaner

Open the BlitzWolf Clean APP and follow the instructions to add your device. For more detailed connection steps, please go to www.blitzwolf.com and search for "BW-VC1" to see the setup video.

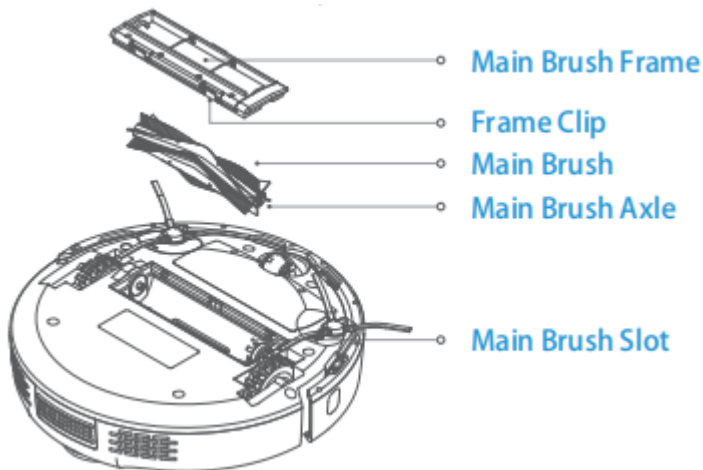
APP FUNCTIONS

We recommend you download the BlitzWolf Clean APP to control and use the BW-VC1 robot cleaner. But even without the APP, you can still use the buttons on the main body for basic operation.

Due to limited space, please go to www.blitzwolf.com to search "BW-VC1" for the full version of the APP function manual, The functions of this manual are based on BlitzWolf Clean version 1.0.0 . Please refer to documentation about the latest version of the APP for the latest functions.

MAINTENANCE

Main Brush

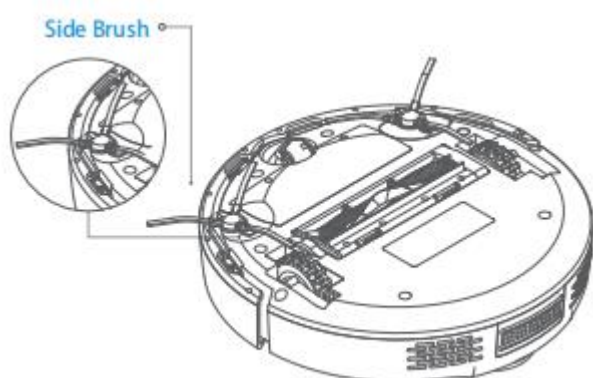


Main Brush Frame、Frame Clip、Main Brush、Main Brush Axle、Main Brush Slot



1. Turn robot cleaner upside down;
2. Take the main brush out;
3. Clean the main brush slot;
4. Clean the main brush axle;
5. Remove any tangled hair and dust on the main brush with the attached cleaning brush;
6. Reinstall the main brush and fasten the main brush frame.
7. The main brush should be cleaned once per week. And should be replaced every 6-12 months. Or you can follow the replacement notice in the BlitzWolf Clean APP.

Side Brush



1. Turn the robot cleaner upside down and remove the two side brushes, make note of which side each brush came from;
2. Clean the side brushes;
3. Remove any tangled hair and dust on the side brush axles;
4. Reinstall the side brushes. Please ensure that they are installed properly as the left and right side brushes are different.
5. The side brush should be cleaned once per month. And should be replaced every 3-6 months. Or you can follow the replacement notice in the BlitzWolf Clean APP.

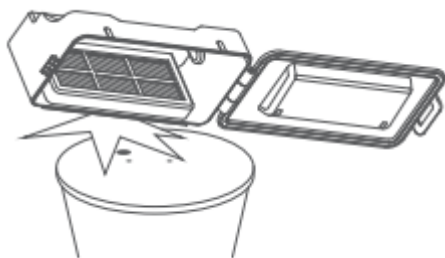
Dust Bin and Filter

1. Open the top lid;
2. Take the dust bin out;



3. Open the dust bin lid;

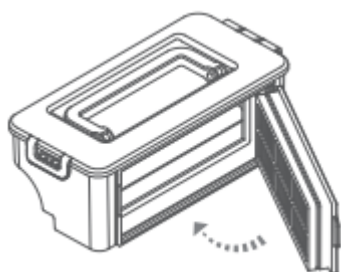
4. Empty the dust bin;



5. Wash the dust bin and the filter with water;

6. Ensure the dust bin and the filter are dry and then reinstall them into the robot.

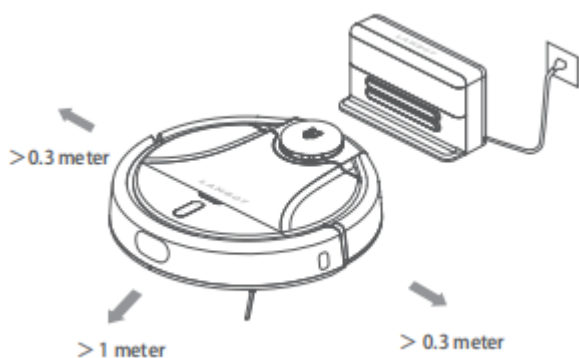
7. To ensure the best cleaning performance, the filter should be replaced every 6-12 months. Or you can follow the replacement notice in the BlitzWolf Clean APP.



Battery

BW-VC1 robot cleaner has a high-performance Lithium-Ion battery pack. The battery has no memory effect, so you don't need to worry about the repeated or incomplete charge-discharge cycles. For the best experience, keep it on the charging station so it is charged and ready for the next sweeping task.

During storage, The robot should be powered off and the charging station should be disconnected from the power source. The robot should be charged every three months to protect the battery from over-discharging.



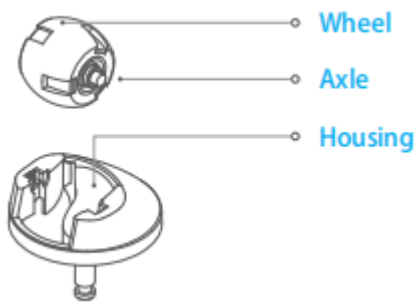
Charging Electrode

After disconnecting from the power source, clean the electrodes on the charging station and the robot with a dry and soft cloth.



Mecanum Wheel

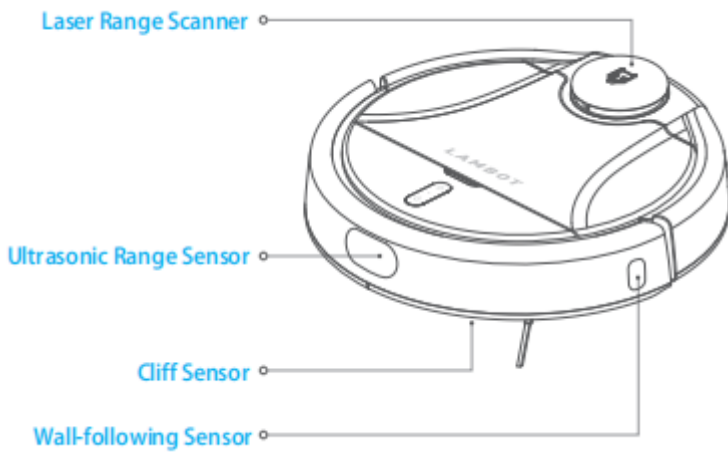
1. Turn the robot upside down;
2. Remove the hair and dust on the wheel and its axle.



Wheel、Axle、Housing

Sensor

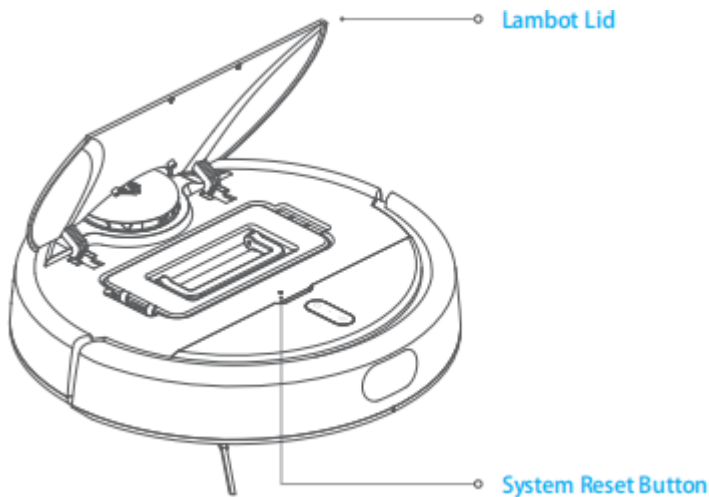
Wipe off all dust and dirt on the surface of the sensors with a dry and soft cloth.



Wall-following Sensor、Ultrasonic Range Sensor、Cliff Sensor、Laser Range Scanner

Reset System

If you cannot get any responses when pressing the buttons on the robot, you can reset the whole system via the system reset button.



Top Lid、System Reset Button

SPECIFICATIONS

BW-VC1 Robot Cleaner

Rated Voltage	14.8V
Rated Power	40W
Wireless Connection	Wi-Fi 2.4GHz , Bluetooth
Battery Capacity	5200mAh
Dimensions	346*346*97mm
Weight	3.1kg

Charging Station

Rated Input	100-240V~50/60Hz
Rated Output	24V 1.3A
Rated Power	31W
Dimensions	134*240*90mm

TROUBLESHOOTING

If your robot cleaner does not work as expected, or its power button is flashing quickly. Please check the following table or follow the instructions in the APP for solutions.

	Exception	Solution
1	Lidar error.	The Lidar gets stuck or obscured. Please remove any obstacles, or put the the robot cleaner back on the charging station and relaunch it.
2	Impact sensor error.	The impact sensor is stuck. Please pat the impact bar several times to recover its position. Move the robot to a different place and relaunch it.
3	Wall-following sensor error.	clean the surface of the wall-following sensor to ensure there is no dust or dirt on it.
4	Robot cleaner has lifted up.	Make sure the ground is level and remove any obstacles that lift the robot. If the error still exists, clean the cliff sensors on the bottom of the robot cleaner.
5	Cliff sensor error.	Clean the cliff sensors on the bottom of the robot.
6	Dust bin error.	Clean the dust bin and make sure that it is installed properly.

7	Side brush error.	Take the side brushes off then and clean and reinstall them.
8	Main brush error.	Take the main brush out, then clean and reinstall it.
9	Wheel error.	Check and remove any dust or hair jammed in the wheels.
10	The robot cleaner is getting stuck.	Remove the obstacles that hindered the robot, then move the robot to a different place and relaunch it.
11	Low battery.	Robot cleaner has a low battery. Take it back to the charging station to recharge.
12	Battery error.	Robot cleaner cannot work properly due to extreme battery temperature. Retry after the battery temperature returns to the operating range.
13	Vacuum fan error.	The vacuum fan cannot work properly. Clean the dust bin and filter, and then relaunch the robot.
14	Wi-Fi connection failed.	Check whether the wifi user name and password are correct, and make sure the SSID is working in 2.4GHz mode. Take the robot and smartphone close to the router when setting the network.
15	Localization lost.	The robot will try to re-localize itself. If the robot fails to re-localize itself, it will clear the map and the virtual walls. Please rebuild the map and add the virtual walls again.
16	Map loading fail.	Robot cleaner will automatically load the previous map during its launching process. If the robot fails to load the map, it will clear the map and the virtual walls. Please rebuild the map and add the virtual walls again.
17	Charging station not powered on.	Please make sure that the power cable of the charging station is connected properly.
18	Robot Cleaner cannot find the way home.	Make sure that there is enough open space around the charging station. You can manually take the robot back to the charging station to recharge itself.
19	Need to replace the filter.	Please clean and replace the filter.
20	System error.	Please reset the robot.
21	For other situations: Reset the robot cleaner, reset its WiFi and rebind it with your APP.	

FAQ

Question	Solution
Unable to launch.	<ol style="list-style-type: none"> 1. Robot cleaner has a low battery. Please fully charge it before using. 2. Extreme battery temperature. Please use the robot within the temperature range of 0-40.
Unable to charge.	<ol style="list-style-type: none"> 1. The charging station is not powered on. Please make sure that the power cable is connected properly. 2. Charging electrodes are dirty. Please clean the electrodes on the robot and the charging station.
Unable to go back to the charging station.	<p>Please make sure that there is enough space around the charging station and its recognition zone is clean.</p> <p>You need to put the robot on the charging station before you operate it, otherwise, it cannot go back to the charging station.</p>
Unable to discover the robot cleaner via APP.	Please reset the WiFi of the robot. Enable Bluetooth on your smartphone and keep it close to the robot.
Unable to bind robot cleaner with APP.	Please make sure the charging station and robot cleaner are in an area with consistent and strong WiFi coverage, and then reset the WiFi of the robot and rebind it with your smartphone.

The robot cleaner is always offline.	Please make sure that the network is set properly and the robot keeps in the area of consistent WiFi coverage.
There is abnormal noise during sweeping.	Please remove hair and dust on the main brush, side brush, and wheels; and clean the bottom of the robot and its impact bar.
The robot cleaner moves slowly.	Please clean the ultrasonic sensor mesh cover in the middle of the impact bar and make sure the mesh holes are clean and free from any blocks.
A decline in the ability to sweep.	Please empty the dust bin, and clean the main brush and the filter. Replace the filter if it is blocked.
Unable to start scheduled tasks.	Scheduled tasks will not start if the robot cleaner has a low battery. Please fully charge the robot before you use it. Scheduled tasks will not be synchronized between your smartphone and robot cleaner if the robot is disconnected from the network. Please keep the robot online.
Is it required to power off the charging station after fully charging robot cleaner?	The robot consumes a small amount of power during its standby time. To keep the robot running at peak performance, you can always keep it charged on the charging station to ensure it is ready for its next sweeping task. During long term storage, the robot should be powered off and the charging station should be disconnected from power.
Does the robot cleaner need to be charged for 24 hours before it is used for the first time?	The robot cleaner has a high-performance Lithium-Ion battery pack installed. The battery is free from memory effect, so you don't need to wait for 24 hours or fully charge it for the first time before you use it.
Are the laser beams emitted from Lidar harmful to the human body?	The robot cleaner Lidar adopts a Class I laser range scanner, and is rated safe for humans and pets.

For any unsolved problems and technical support, please feel free to contact us at support@blitzwolf.com.

Please refer to this manual for following models of Robotic Vacuum Cleaner:

LBPWVNA1, LBPBVNA1, LBPPVNA1, LBPCVNA1, LBPAVNA1,
LBPRVNA1, LBPGVNA1, LBPYVNA1, LBPOVNA1, LBPTVNA1, LBPVVNA1, LBPSVNA1, LBPNVNA1,
LBPLVNA1, LBPDVNA1, LBPFVNA1, LBPHVNA1, LBPIVNA1, IHPPWNA1, IHPPBNA1, IHPPPNA1,
IHPPCNA1, IHPPANA1, IHPPRNA1, IHPPGNA1, IHPPYNA1, IHPPONA1, IHPPPTNA1, IHPPVNA1,
IHPPSNA1, IHPPNNA1, IHPPPLNA1, IHPPDNA1, IHPPFNA1, IHPPHNA1, IHPPINA1,
BW-VC1, BW-VC1S, BW-VC2, BW-VC2S.

FCC Regulations:

- This device complies with part 15 of the FCC Rules. Operation is subject to the following two conditions: (1) This device may not cause harmful interference, and (2) this device must accept any interference received, including interference that may cause undesired operation.
- This equipment has been tested and found to comply with the limits for a Class B digital device, pursuant to part 15 of the FCC Rules. These limits are designed to provide reasonable protection against harmful interference in a residential installation. This equipment generates, uses and can radiate radio frequency energy and, if not installed and used in accordance with the instructions, may cause harmful interference to radio communications. However, there is no guarantee that interference will not occur in a particular installation. If this equipment does cause harmful interference to radio or television reception, which can be determined by turning the equipment off and on, the user is encouraged to try to correct the interference by one or more of the following measures:
 - Reorient or relocate the receiving antenna.
 - Increase the separation between the equipment and receiver.
 - Connect the equipment into an outlet on a circuit different from that to which the receiver is connected.
 - Consult the dealer or an experienced radio/ TV technician for help.
- Changes or modifications not expressly approved by the manufacturer could void the user's authority to operate the equipment.

FCC RF Radiation Exposure Statement

This equipment complies with FCC radiation exposure limits set forth for an uncontrolled environment. To comply with FCC RF Exposure compliance requirements, this grant is applicable to only Mobile Configurations. The antennas used for the transmitter must be installed to provide a separation distance of at least 20cm from all persons and must not be co-located or operating in conjunction with any other antenna or transmitter.