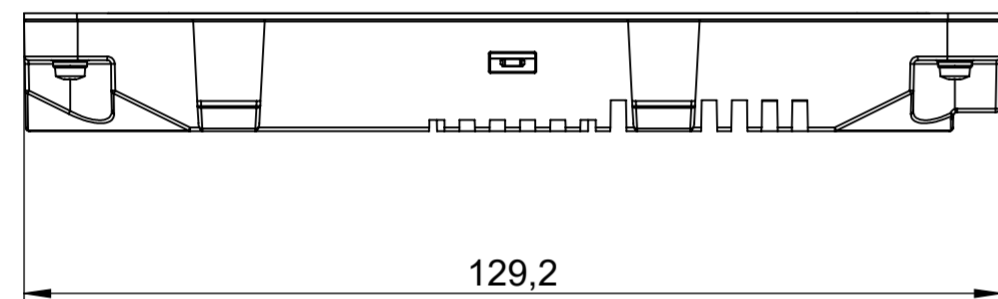
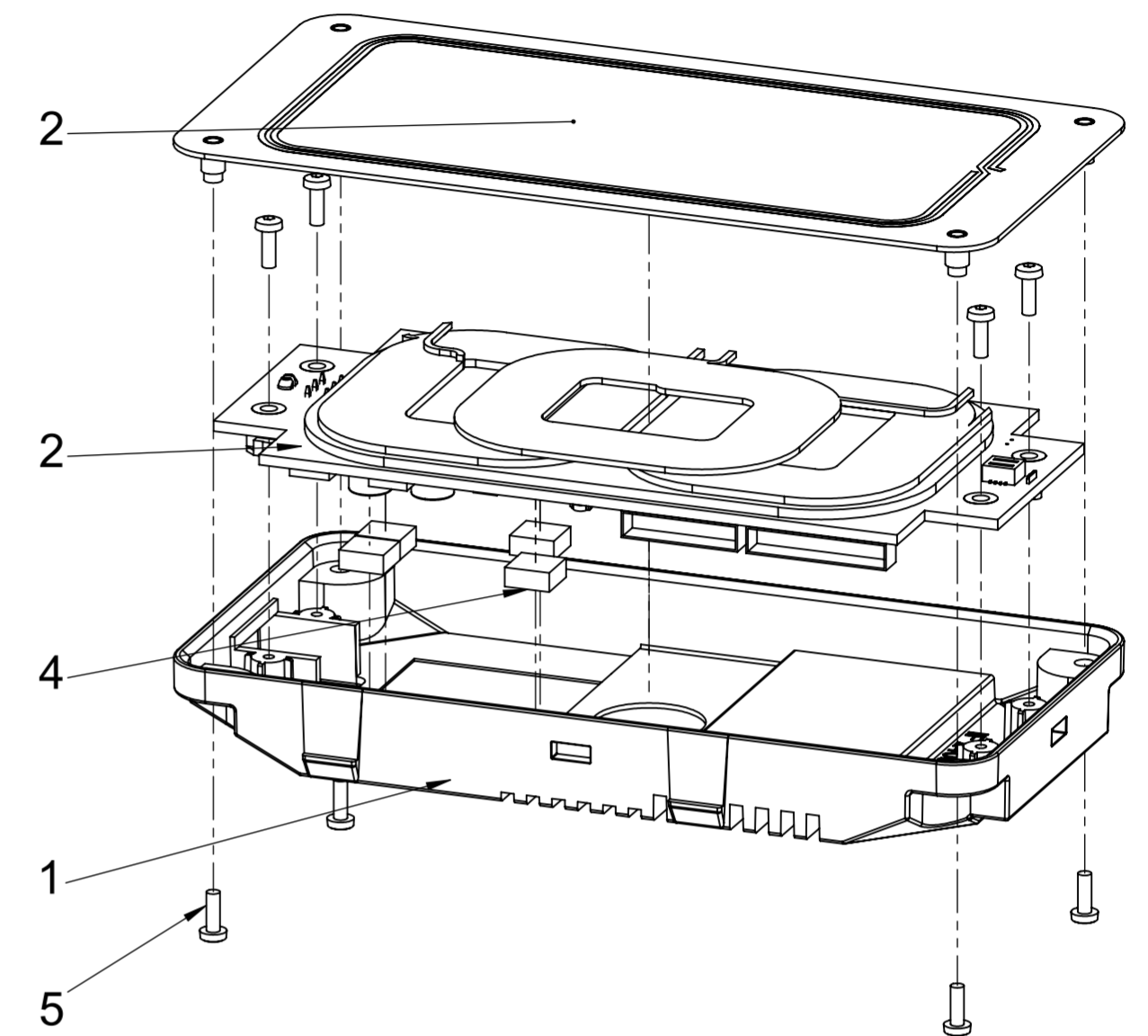
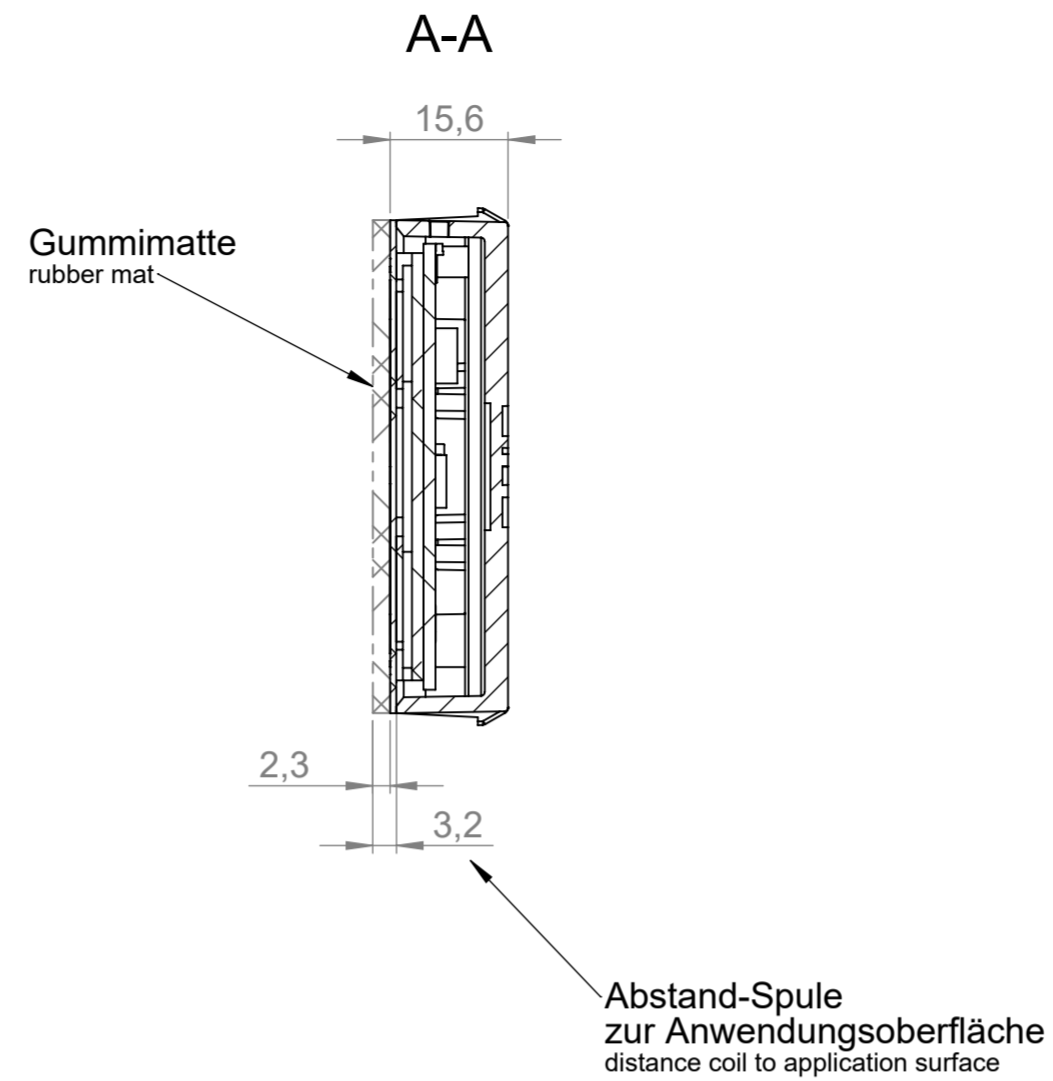
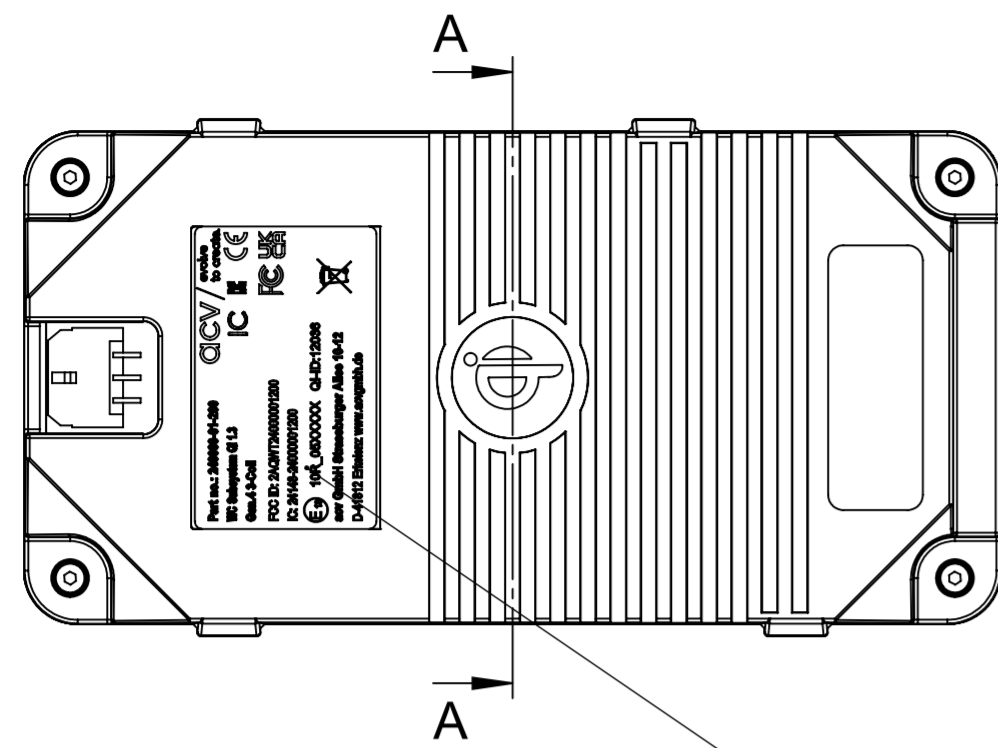
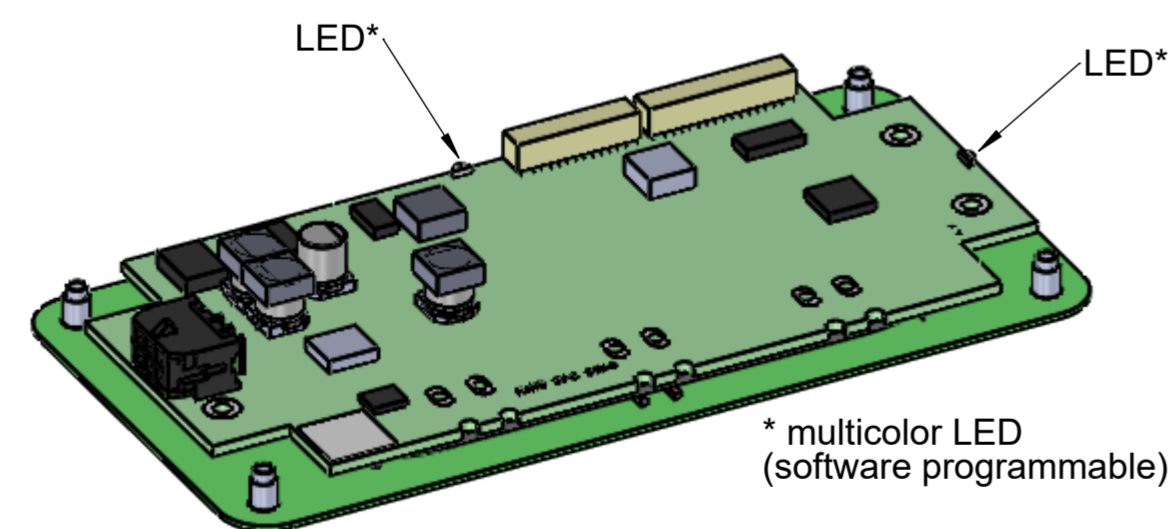


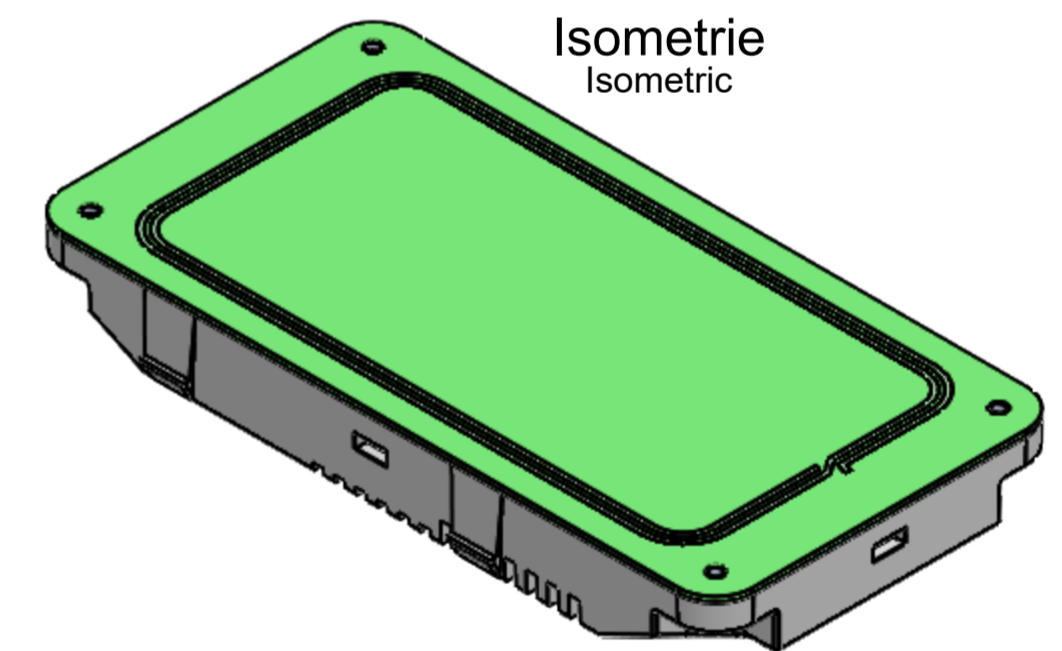
modifications			
modification	index-clock	change description	date /name
—	blank		



Product-Label (2 : 1)



* multicolor LED (software programmable)



scale	<p>pay attention to protection mark ISO 16016</p>		general tolerances	
1:1			L / Ø	< 30 ± 0,2
material	drawing no.	240000-01-200	modification	mass [g]
name	date	designation	page of	
drawn J. Hoheisel	10.01.2022	Subsystem 15W Qi1.3	1 / 1	
checked		additional explanation	format	
modified			A2	
source:		repl. for:		repl. by:

pos.	part no.	designation	addexplanation	amount
6	240000-01-200_Label	15W Subsystem Qi 1.3 Label	240000-01-200_Label	1
5	3500117017	Phillips pan-head screw with torx M 2 x 6	DIN7985	8
4	IF 240000-01-200-3	Thermal-Pad small 7x7x3mm	15W/EPP qi 3 coil PCB Gen. 3 OEM	4
3	IF 240000-01-200-2	Filter Board / NFC Antenna		
2	IF 240000-01-200-1	Qi Charging PCB 3Coil 15W		1
1	IF 240000-04-020	Die cast aluminum housing	Inbay® 4.0 15W	1