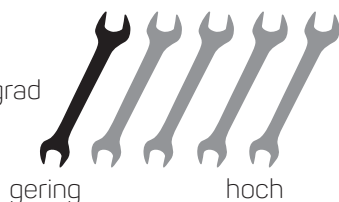


inbay® 3 coils universal 15W  
part-no.: 240000-01-043

D

## EINBAUANLEITUNG

Schwierigkeitsgrad



gering

hoch

GB

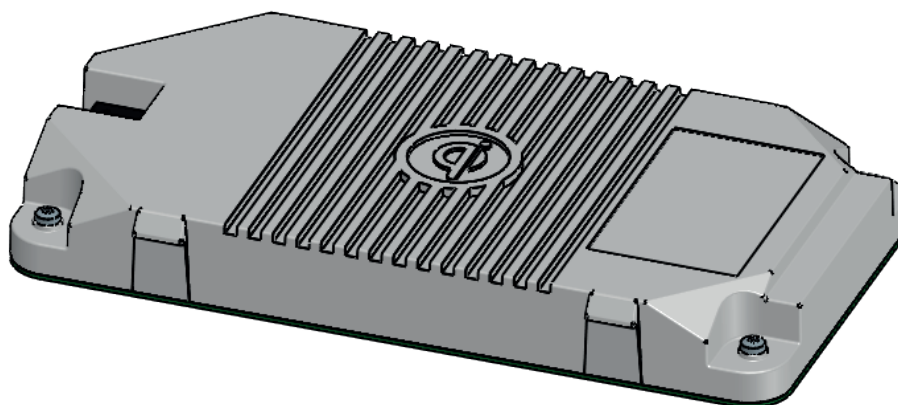
## INSTALLATION GUIDE

level of difficulty



low

high



Product Mode	EPP 15W fixed frequency 127,75 kHz
Input Voltage	9-16V (DC $\equiv$ )
Inrush Current	20A (peak 25ns) (DC $\equiv$ )
Input Current (min/max)	0,06-1,7A (DC $\equiv$ )
Average standby current	23mA

		Min	Typ	Max
Output Voltage ( $V_{OUT}$ )	$V_{IN}$ = Nom. 5V output (5W mode)	4,75V	5,0V	5,25V
	$V_{IN}$ = Nom. 9V output (10W mode)	8,55V	9,0V	9,45V
	$V_{IN}$ = Nom. 9V output (15W mode)	8,55V	9,0V	9,45V
Output Current ( $I_{OUT}$ )	$V_{IN}$ = Nom. 5V output (5W mode)	0A		1,1A
	$V_{IN}$ = Nom. 9V output (10W mode)	0A		1,2A
	$V_{IN}$ = Nom. 9V output (15W mode)	0A		1,6A

Sachgemäße Installation unter Beachtung dieser Einbauanleitung erforderlich. Achten Sie auf korrekte Anschlüsse. Verlegen Sie die Kabel so, dass Sie weder geknickt, gequetscht oder beschädigt werden können. Sorgen Sie dafür, dass sich die Kabel nicht in Gegenständen verfangen können.

Wir können keine Haftung für Schäden übernehmen, welche durch unsachgemäße Installation oder Nutzung verursacht wurden. Verwenden Sie darum ausschließlich das mitgelieferte Montagematerial.

Technische Änderungen vorbehalten, alle Angaben ohne Gewähr.

Das „Qi“ Logo ist Warenzeichen des „Wireless Power Consortium“

An appropriate installation in observance of these operating instructions is necessary. Please make sure the wiring is arranged so it is not bended or crimped due to the risk of cable break. Make sure that all connections are correct. Route the cable away from moving parts, do not allow the cable to be entangled, pinched or damaged in any way.

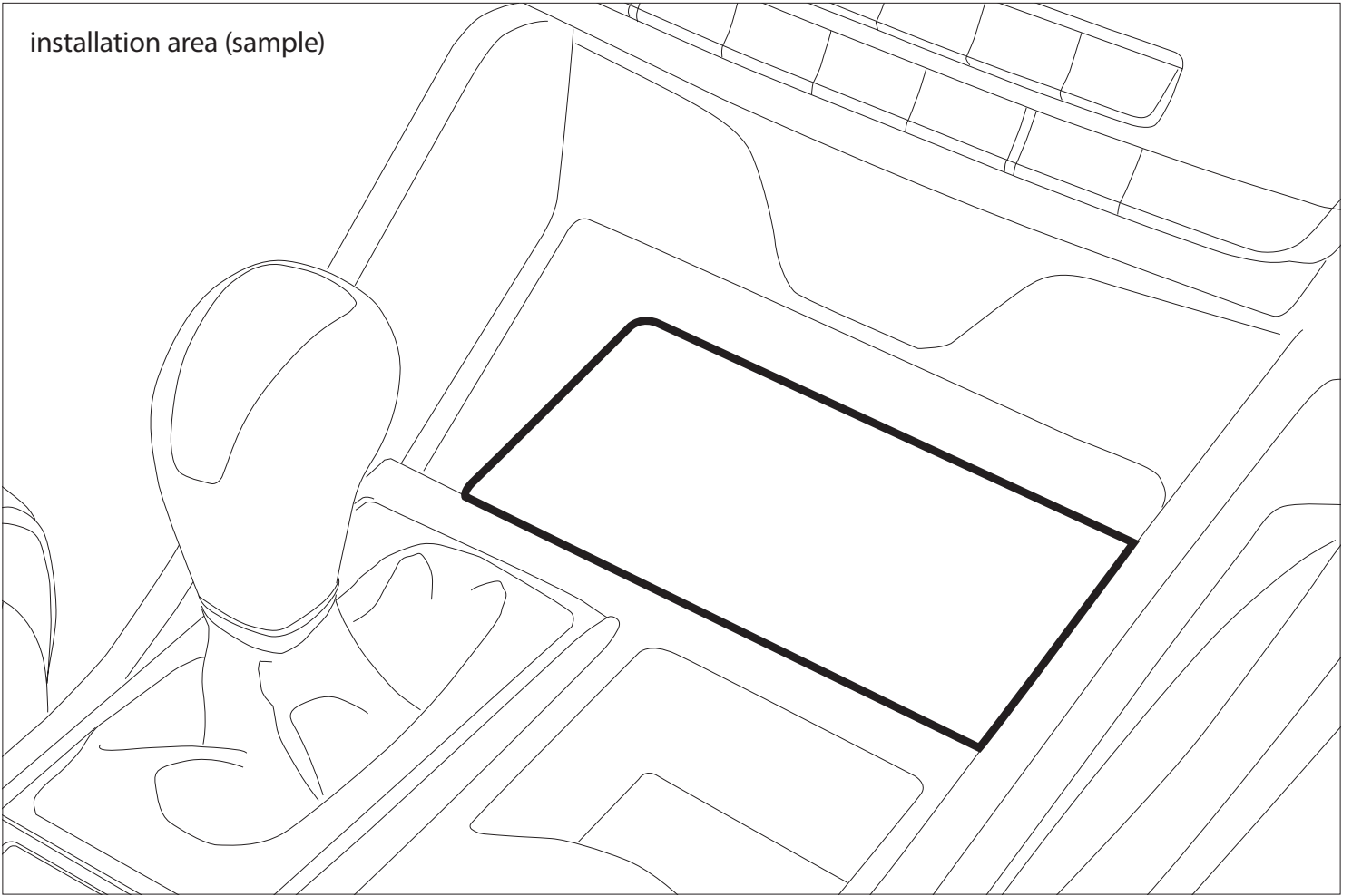
We will not be liable for damage due to improper installation or utilization. Use the specified accessory parts to prevent product failure.

Subject to technical modifications; no responsibility is accepted for the accuracy of this information.

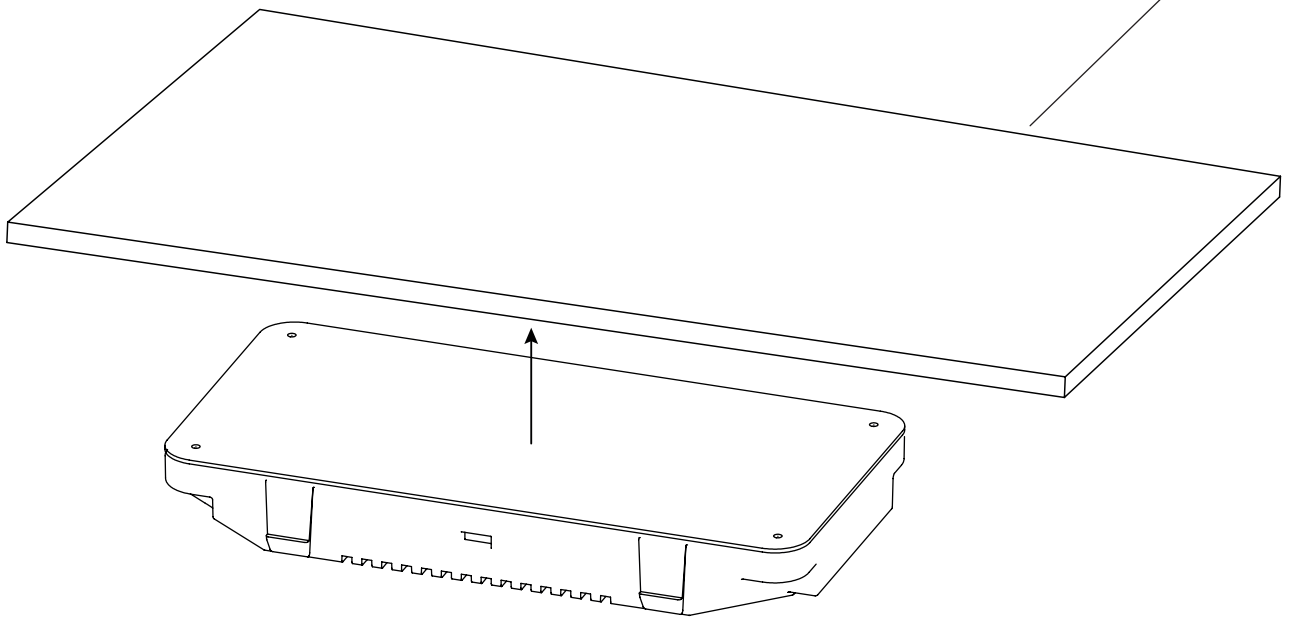
The “Qi” symbol is a trademark of the “Wireless Power Consortium”

acv GmbH · Straßburger Allee 10-12 · D-41812 Erkelenz · GERMANY

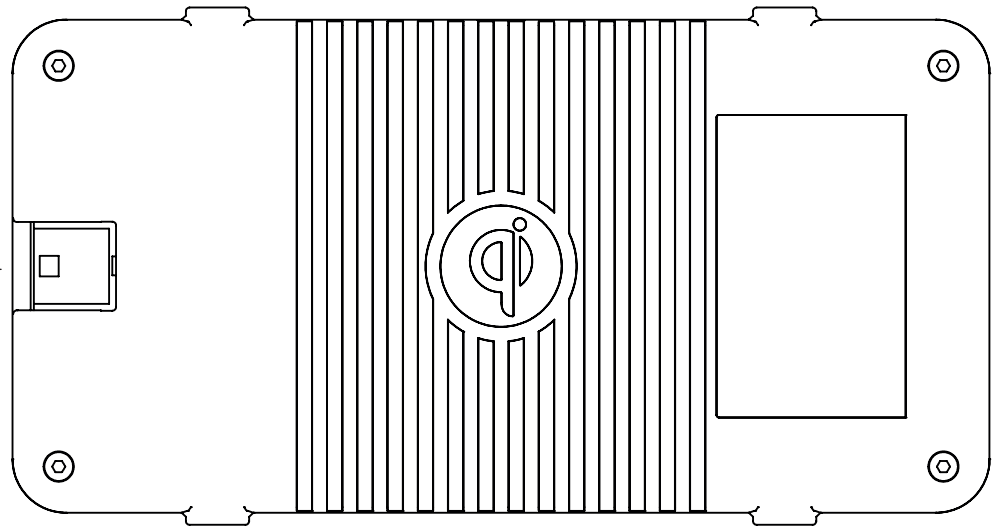
installation area (sample)



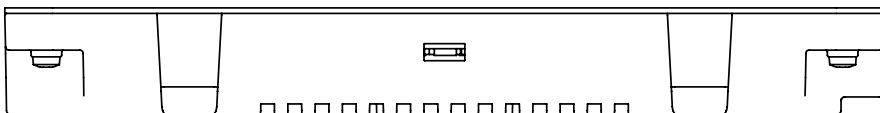
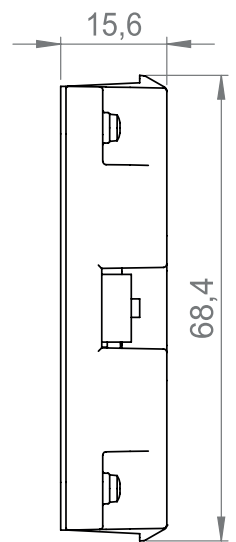
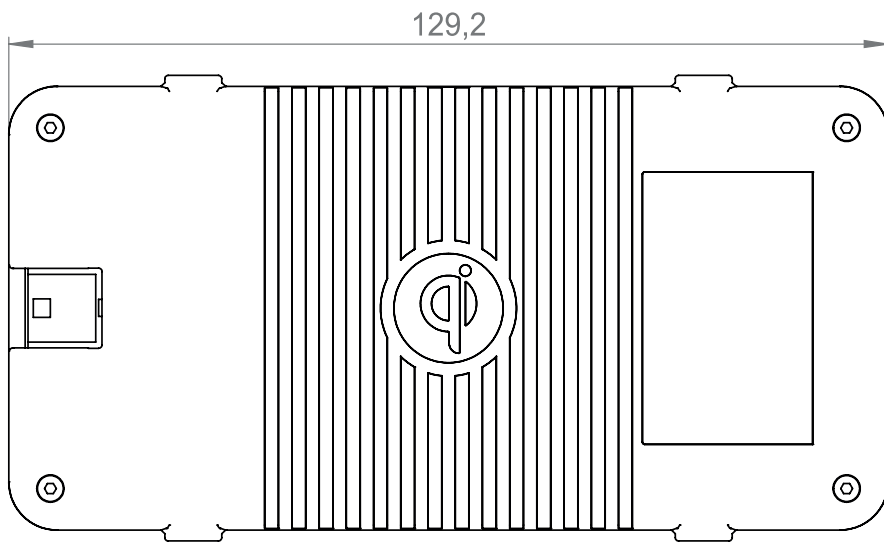
panel

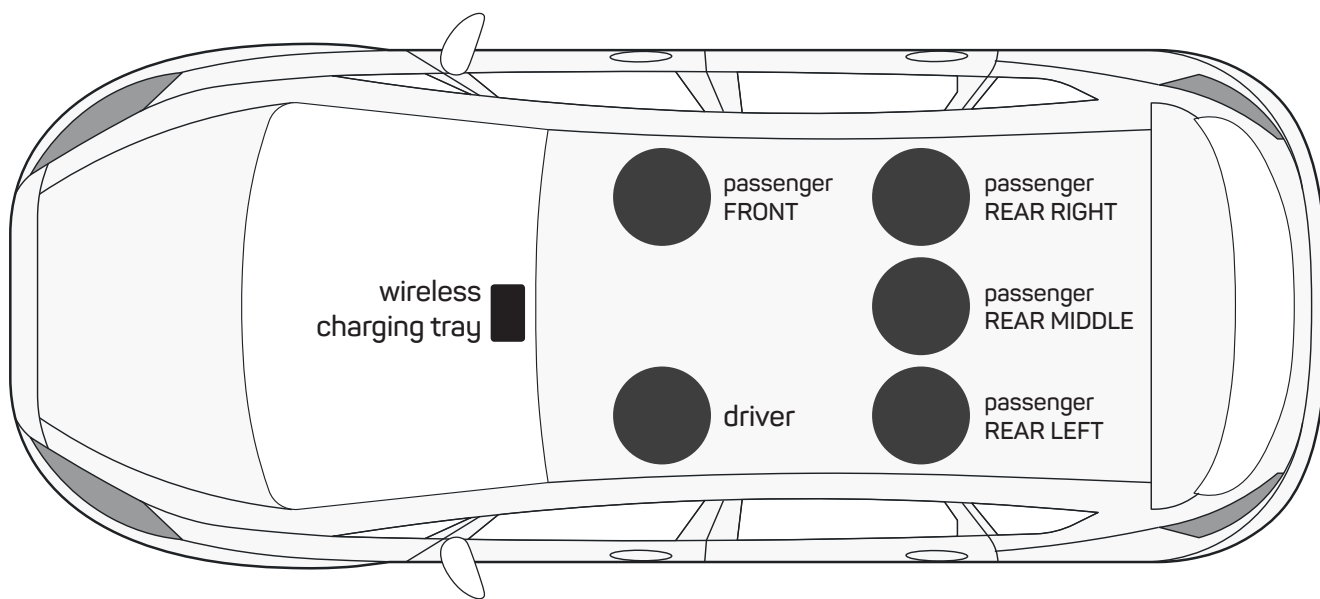


power supply



Measurements (mm)





Driver Seat	
Knee	29 cm
Leg	36 cm
Body	74 cm
Hand	45 cm
Arm	62 cm
Head	114 cm

Passenger Seat FRONT	
Knee	28 cm
Leg	35 cm
Body	75 cm
Hand	46 cm
Arm	61 cm
Head	115 cm

Passenger Seat REAR LEFT	
Knee	98 cm
Leg	115 cm
Body	152 cm
Hand	124 cm
Arm	137 cm
Head	175 cm

Passenger Seat REAR MIDDLE	
Knee	94 cm
Leg	110 cm
Body	139 cm
Hand	116 cm
Arm	148 cm
Head	174 cm

Passenger Seat REAR RIGHT	
Knee	97 cm
Leg	113 cm
Body	155 cm
Hand	120 cm
Arm	139 cm
Head	172 cm

## EU declaration of conformity

Hereby, acv GmbH declares that the radio equipment 240000-01-043 is in compliance with directive 2014/53/EU. The full text of the EU declaration of conformity is available at the following internet address: <https://www.acvbmbh.de/>

## FCC Part 15 Compliance Statement

This device complies with Part **15** of the FCC Rules.

**CAUTION:** Changes or modifications not expressly approved by the party responsible for compliance could void the user's authority to operate the product.

**NOTE:** This equipment has been tested and found to comply with the limits for a wireless power transfer, pursuant to Part **15** of the FCC Rules. These limits are designed to provide reasonable protection against harmful interference in a residential installation. This equipment generates, uses and can radiate radio frequency energy and, if not installed and used in accordance with the instructions, may cause harmful interference to radio communications. However, there is no guarantee that interference will not occur in a particular installation. If this equipment does cause harmful interference to radio or television reception, which can be determined by turning the equipment off and on, the user is encouraged to try to correct the interference by one or more of the following measures:

- Reorient or relocate the receiving antenna.
- Increase the separation between the equipment and receiver.
- Connect the equipment into an outlet on a circuit different from that to which the receiver is connected.
- Consult the dealer or an experienced radio/TV technician for help.

## RF Exposure Compliance

**This equipment complies with FCC/ISED radiation exposure limits set forth for an uncontrolled environment. This equipment should be installed and operated with minimum distance 20cm between the device & your body.**

## ISED Regulatory Compliance

This device contains licence-exempt transmitter(s) that comply with Innovation, Science and Economic Development Canada's licence-exempt RSS(s).

Operation is subject to the following two conditions:

This device may not cause interference.

This device must accept any interference, including interference that may cause undesired operation of the device.

L'émetteur exempt de licence contenu dans le présent appareil est conforme aux CNR d'Innovation, Sciences et Développement économique Canada applicables aux appareils radio exempts de licence.

L'exploitation est autorisée aux deux conditions suivantes :

L'appareil ne doit pas produire de brouillage;

L'appareil doit accepter tout brouillage radioélectrique subi, même si le brouillage est susceptible d'en compromettre le fonctionnement.

