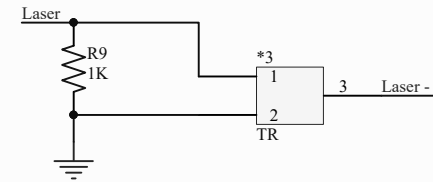
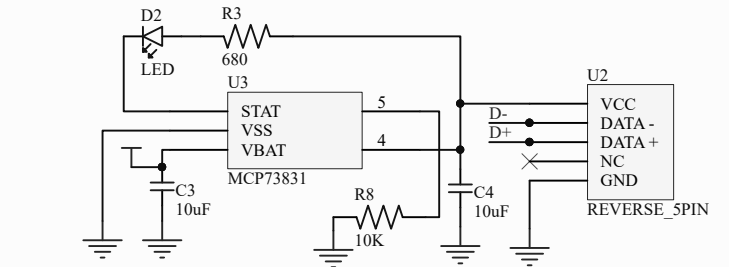
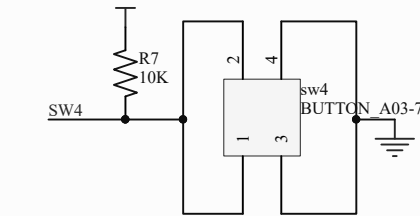
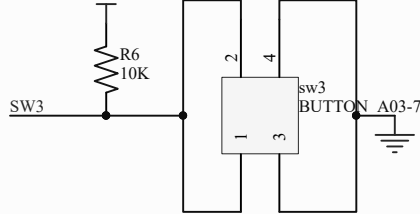
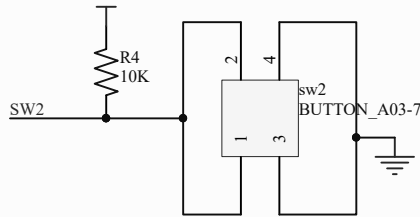
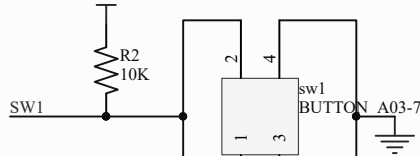
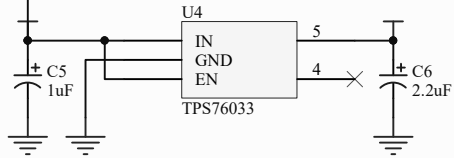
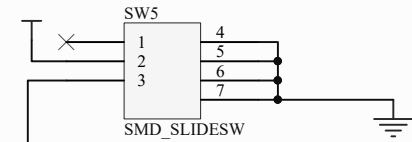
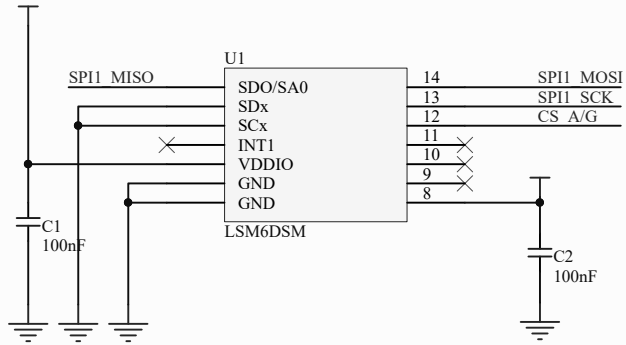
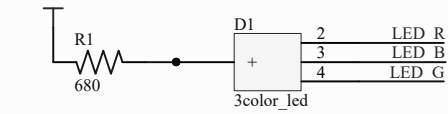
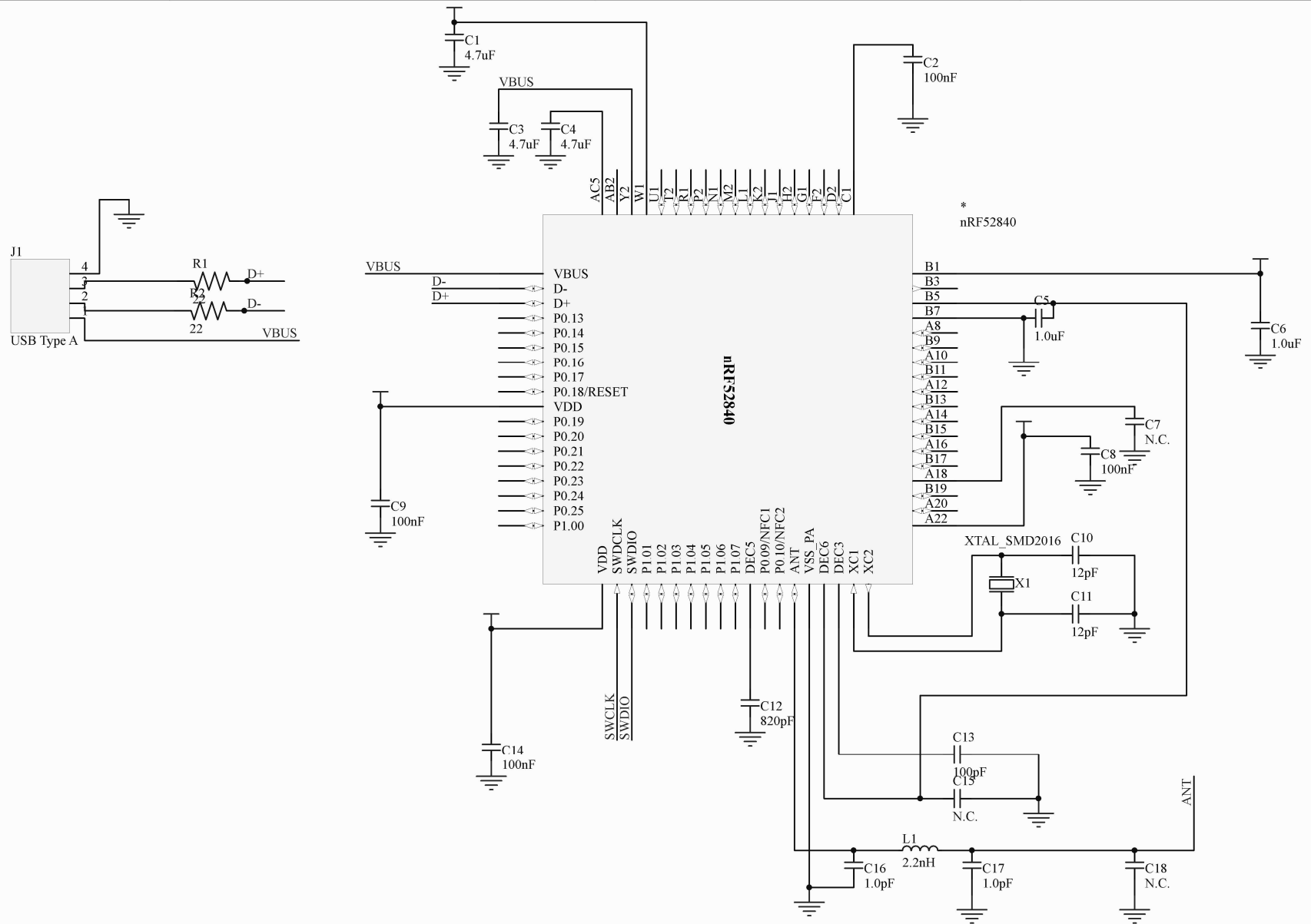


Title Penna Pointer_main PCB_MCU(nRF52832)		
Size A4	Number Penna Pointer_1808	Revision
Date: 2018-08-30	Sheet of	
File: C:\Users\...\nrf52832_mcu.SchDoc	Drawn By:	YOUNGJIN KIM



Title Penna Pointer_main PCB_peripheral		
Size A4	Number Penna Pointer_1808	Revision
Date: 2018-08-30	Sheet of	
File: C:\Users\...\board.SchDoc	Drawn By: YOUNGJIN KIM	



Title Penna Pointer_Dongle_PCB_nRF52840			Cannot open file P:\protel_lib\SCH_Nord
Size	Project Number 4359	Revision 1.0	
Date: 2018-08-30	Sheet 1 of 1		Drawn By: Youngjin Kim
File: Tesollo_nRF52.SchDoc			