



Becton Dickinson and Company
200 Bulfinch Drive
Suite 100
Andover, MA 01810, USA

WC (328622) Internal Photographs



Figure 1: Back of the Wireless controller with Battery cover removed



Figure 2: Back of the Wireless controller with rear enclosure removed



Figure 3: Main PCB lifted to display LCD assembly connector attachment on main PCB



Figure 4: Front Bezel Assembly with LCD flex connector and main PCB by Side

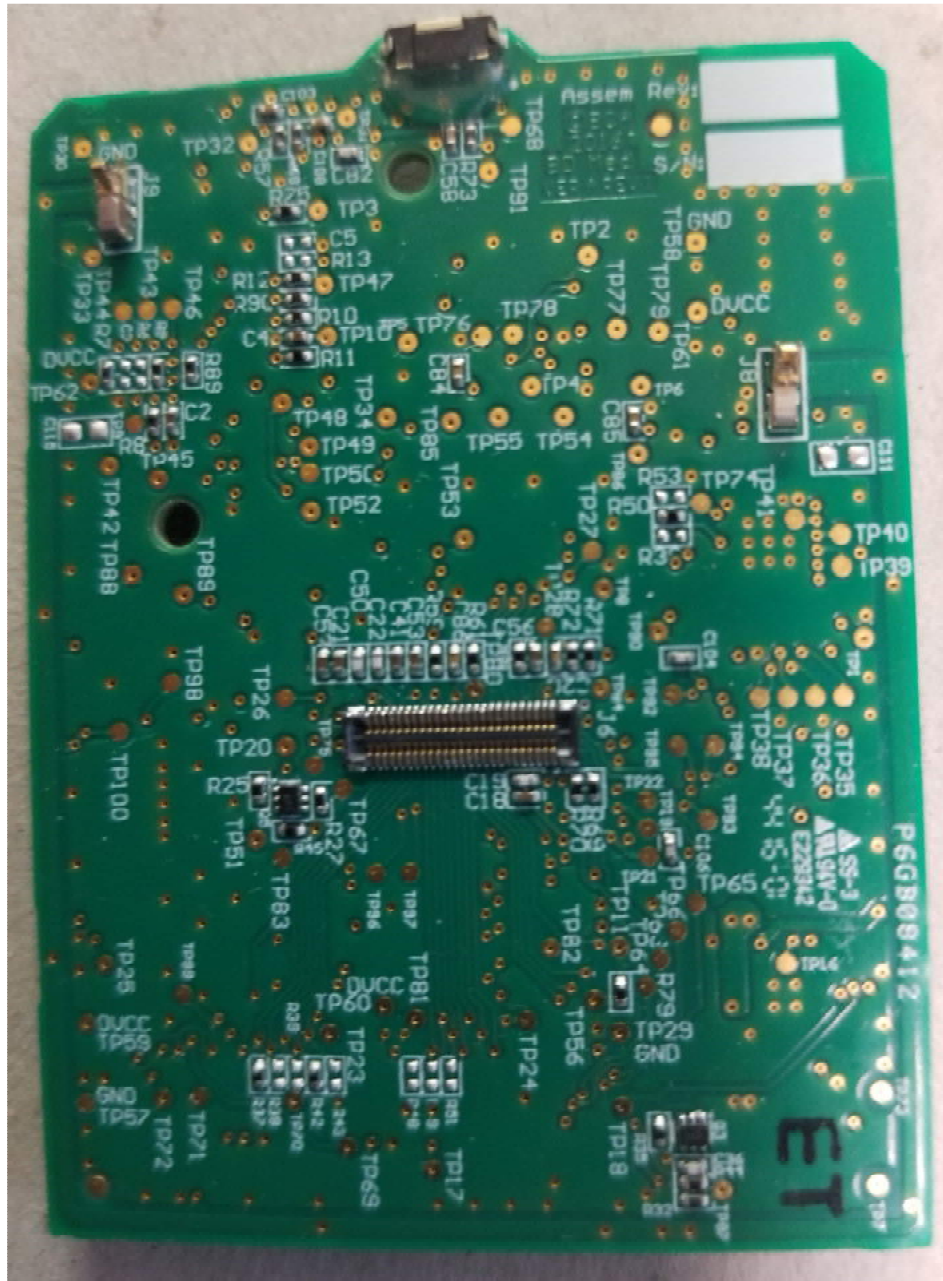


Figure 5: WC main PCB back Side with LCD screen connector in the center and On/Off button on Top

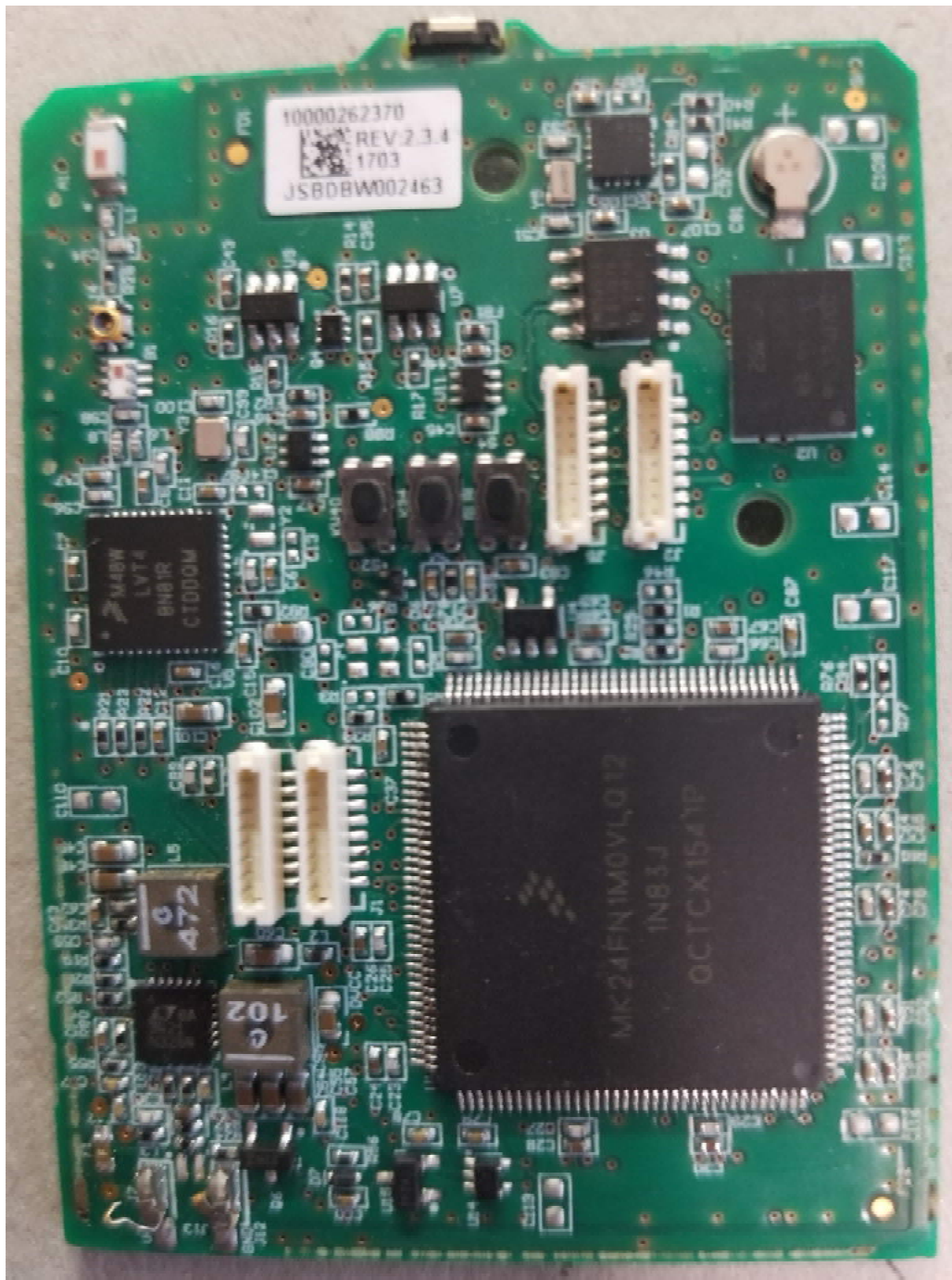


Figure 6: WC main PCB front Side

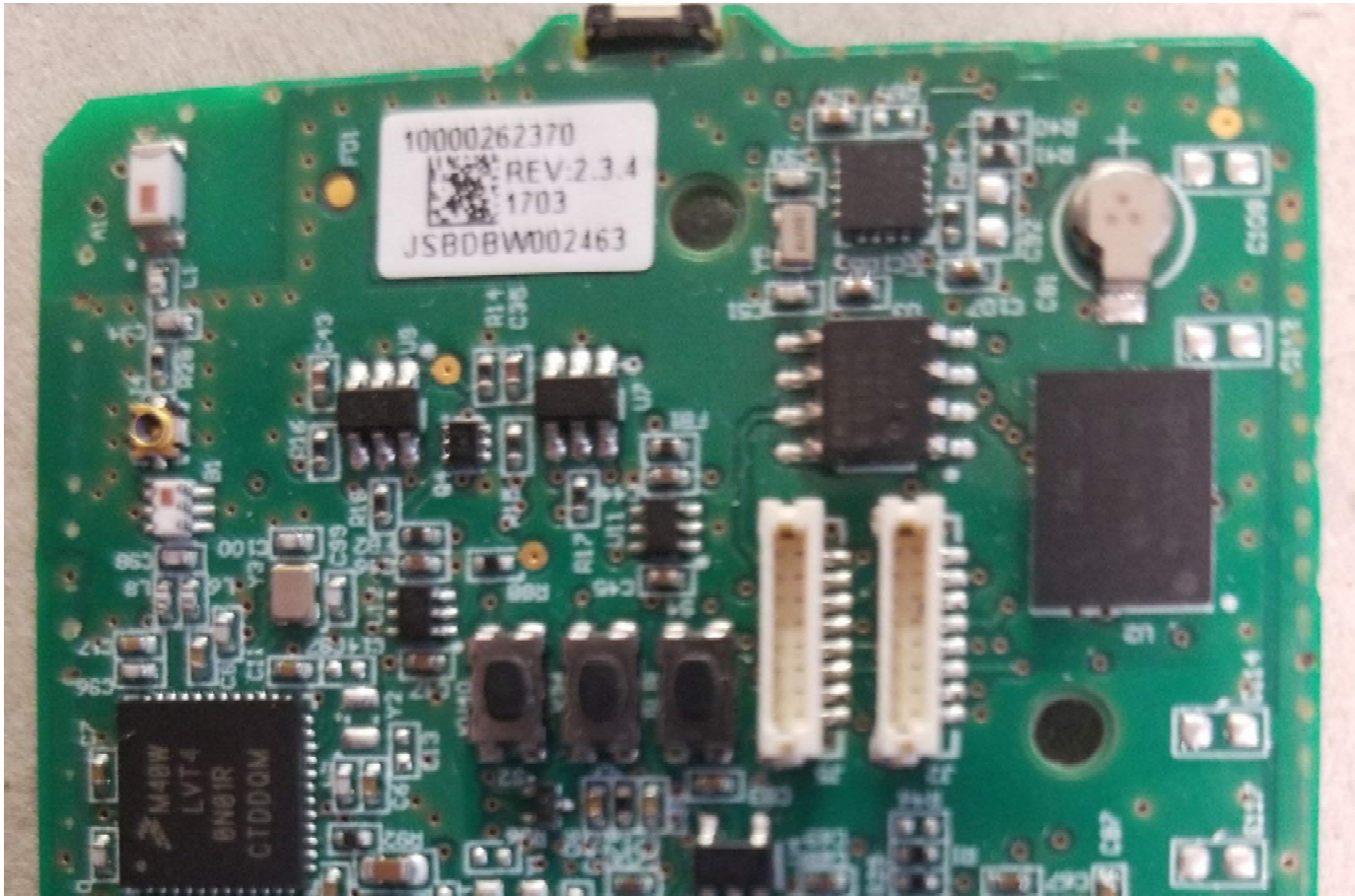


Figure 7: RF Antenna identified as component **A1**;
(Top left corner of WC main PCB)
Manufacturer of RF chip Antenna: Johanson Technology P/N# 2450AT18A100E

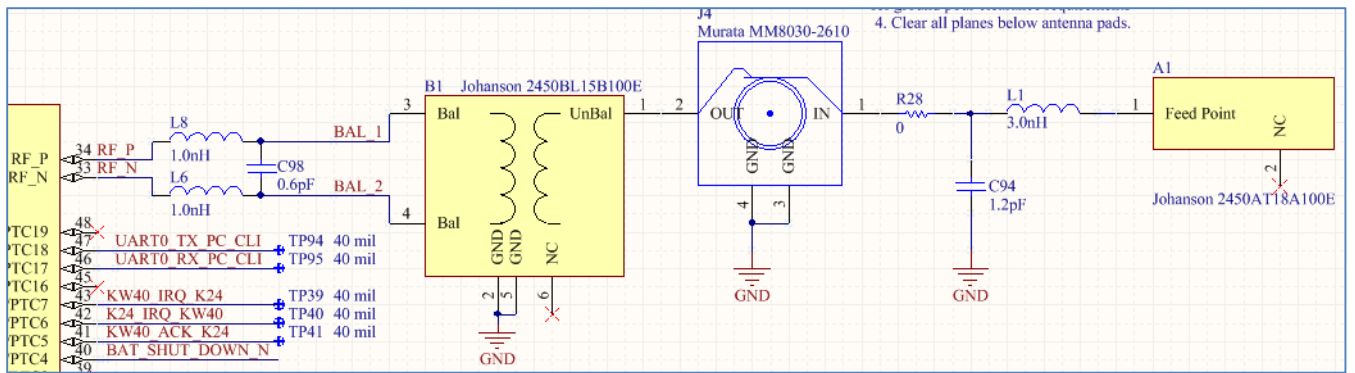


Figure 8: 328622 RF Circuit (Top left corner of WC main PCB in the figure 7)