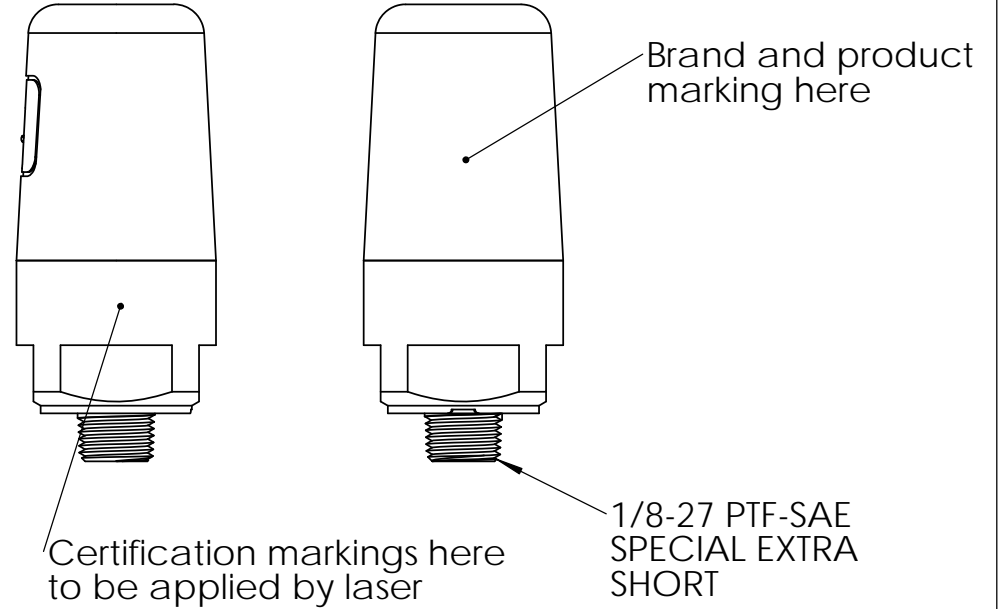
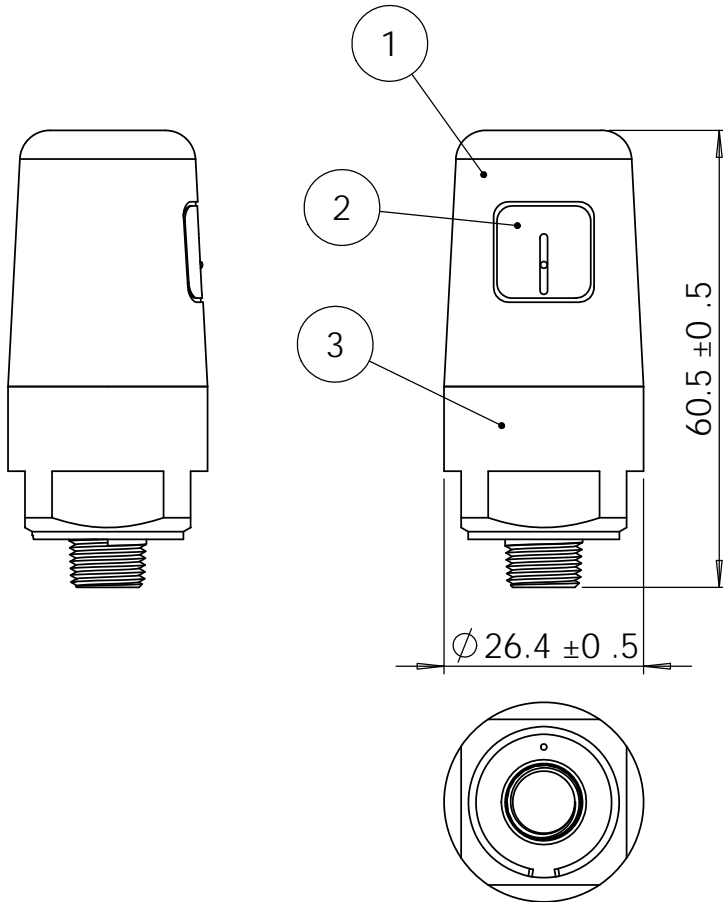


NO.	PART NAME	MATERIAL
1	CAP	PBT - Polyplastics CRN 7030 GP
2	CAP BUTTON	SILICONE - Shin-Etu KE-2090-50A/B
3	CASE	*STAINLESS STEEL - SUS304 (Alternative SUS304L)



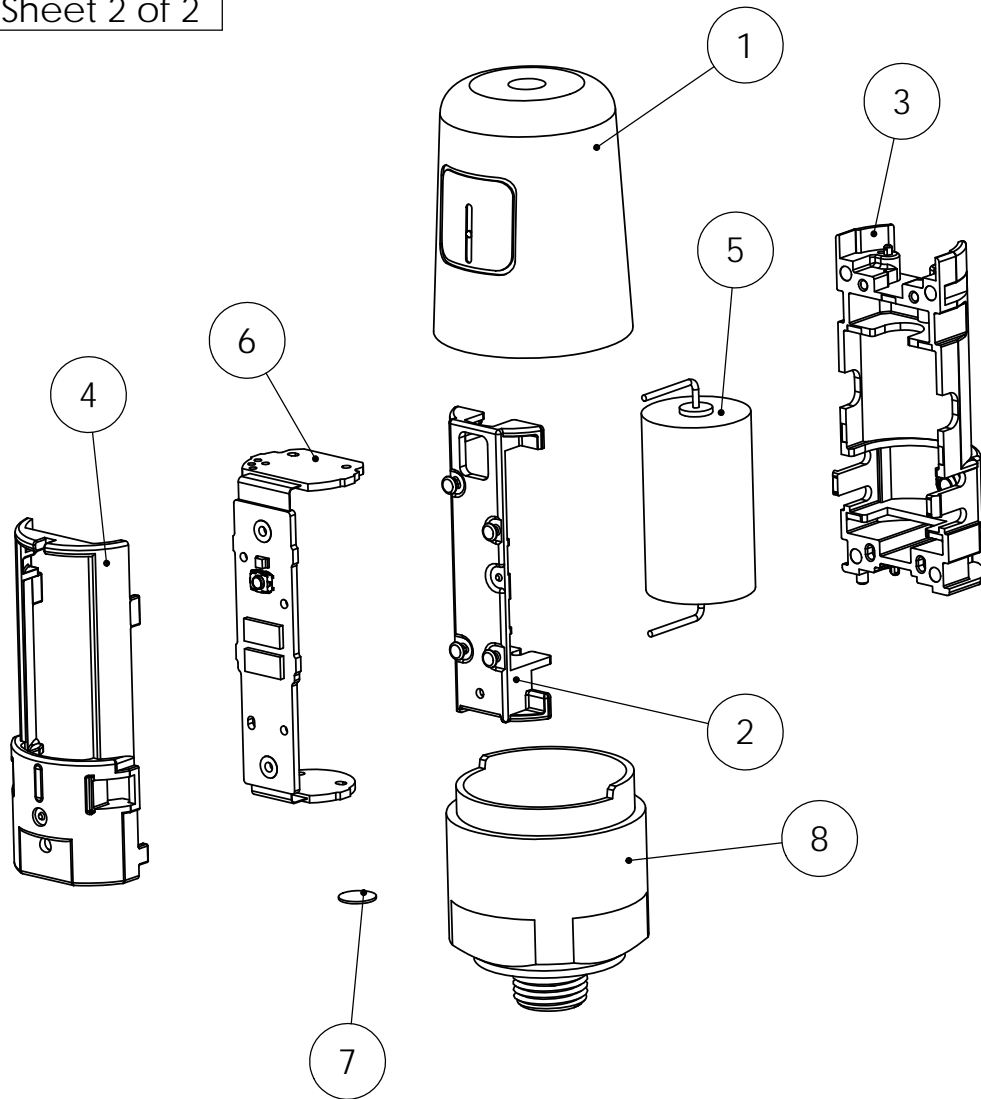
*The case is stainless steel case, containing(by mass) less than 10% in total of Al + Mg + Ti + Zr and less than 7.5% in total of MG + Ti + Zr.

CSA CERTIFIED PRODUCT
NO MODIFICATION PERMITTED
WITHOUT REFERENCE TO CSA
SEE RSP 3-0075-14-763-8

REV. DESC: UPDATE MODEL AND MATERIAL OF CAP, REPLACED BLANKS WITH CSA			
REV: C	VERSION: -	REVISED: 6/11/2018	TDR: -
0000SL	MODEL NO. V1	REF: -	
	BY: VASILIOS BILL KAPOUSIDIS		

BALDOR

SMART SENSOR FOR MOUNTED BEARINGS



ITEM NO.	DESCRIPTION	MATERIAL	REMARKS
1	CAP	PBT-GF30 & SILICONE	Plastic - Polyplastics/CRN 7030 GP Silicone - Shin-Etu / KE-2090-50A/B
2	BATTERY HOLDER	PBT-GF30	Polyplastics/7407
3	BATTERY HOLDER 2	PBT-GF30	Polyplastics/7407
4	BATTERY HOLDER 3	PBT-GF30	Polyplastics/7407
5	BATTERY	1/2AA LiSOCl ₂	Tadiran Batteries LTD Model TLH-5902 (ALT. SL-550)
6	PWB	FR4	PWB & FLEX (3 PWB)
7	SHEET	Semi-permeable membrane	MIN COT OF 105°C WHICH CAN WITHSTAND -20mb
8	CASE	*STAINLESS STEEL	SUS304 or SUS304L
9	GLUING	EPOXY	MIN COT OF 105°C WHICH CAN WITHSTAND -20mb
10	COATING	EPOXY	MIN COT OF 105°C WHICH CAN WITHSTAND -20mb

NOTE(S):

- 1) MIN SEPARATION DISTANCE BETWEEN THE CELL POSITIVE TERMINAL AND PCB IS 1.5MM
- 2) CONFORMAL COATING TO BE APPLIED TO BATTERY POSITIVE TERMINAL(INCLUDING SOLDER CONNECTION) AND CURRENT LIMITING RESISTORS.

CSA CERTIFIED PRODUCT
NO MODIFICATION PERMITTED
WITHOUT REFERENCE TO CSA
SEE RSP 3-0075-14-763-8

*The case is stainless steel case, containing(by mass) less than 10% in total of Al + Mg + Ti + Zr and less than 7.5% in total of MG + Ti + Zr.

REV. DESC: UPDATE MODEL AND MATERIALS, REPLACED BLANKS WITH CSA			
REV: C	VERSION: -	REVISED: 6/11/2018	TDR: -
0000SL		MODEL NO. V1	REF: -
		BY: VASILIOS BILL KAPOUSIDIS	

BALDOR

SMART SENSOR FOR MOUNTED BEARINGS