

**3-Way Wi-Fi Smart Dimmer Switch**

• WF31S •



**Specifications:**

Power: 120V AC, 60Hz  
 Wireless Frequency: 2.4GHz  
 Wireless Standard: IEEE802.11b/g/n  
 FCC ID: 2AQRWF31S  
 Maximum Load: 150W LED, 500 W incandescent  
 Minimum Load: 5W for LED bulbs  
 Range: Up to 100 feet line of sight

- Switch x1
- Wiring x1
- Screws x2
- Faceplate x1

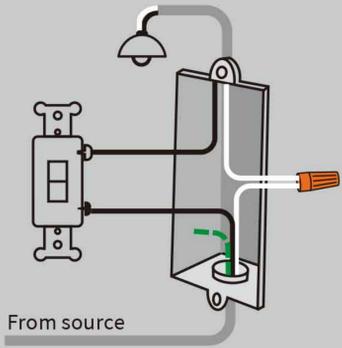
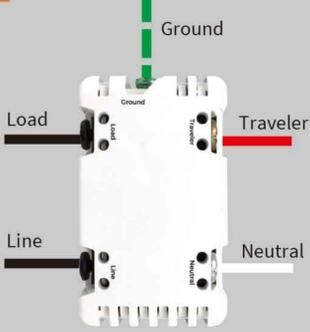
**Indoor use in dry location**

**Single switch**

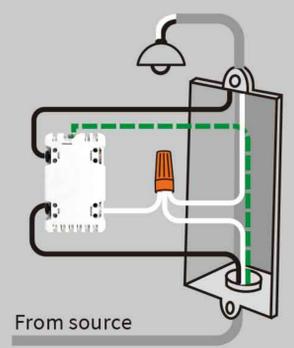


**Identify the wires.**

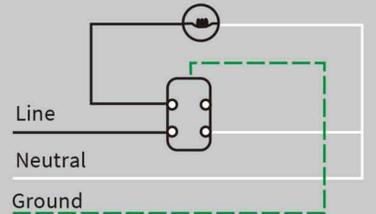
- LINE (Hot) — Black (connected to power)
- NEUTRAL — White
- LOAD — Black (connected to lighting)
- GROUND — Green/Bare
- TRAVELER — Red/Other(only in 3-way in stallations)
- ▲ COMMON



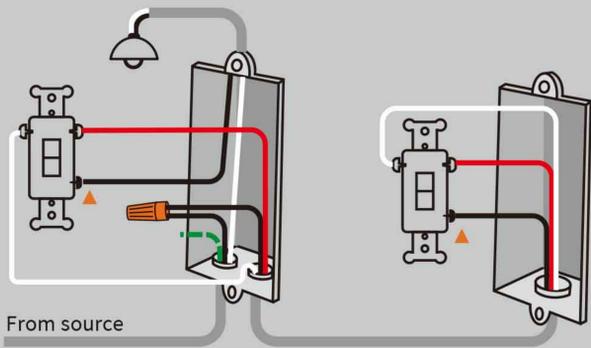
From source



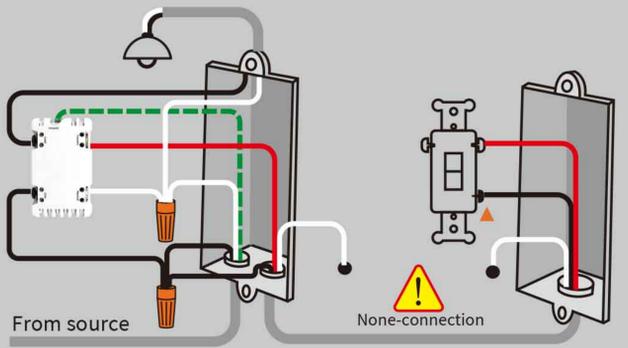
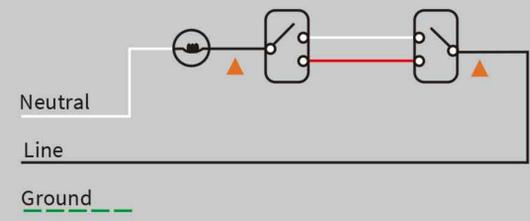
From source



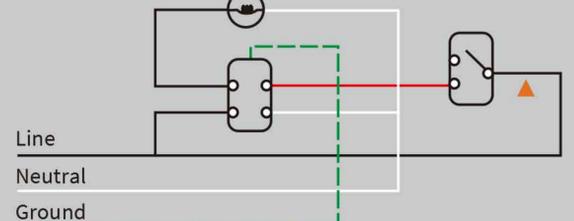
**3-Way switch option 1**



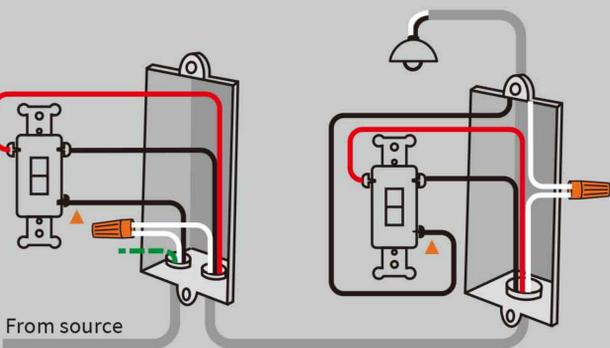
From source



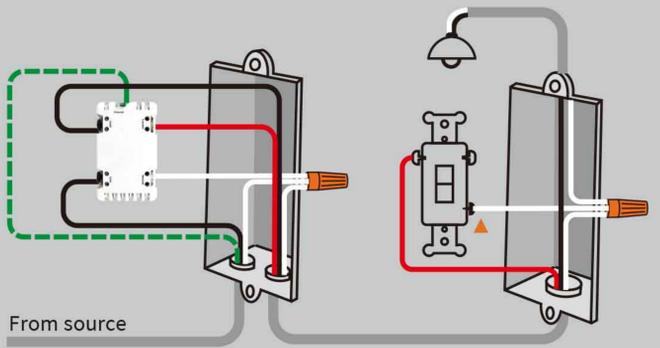
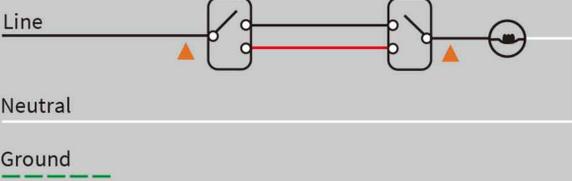
From source



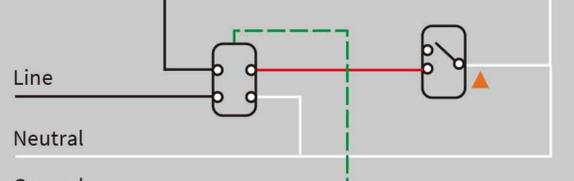
**3-Way switch option 2**



From source



From source



**FCC Caution.**

This device complies with part 15 of the FCC Rules. Operation is subject to the following two conditions:  
 (1) This device may not cause harmful interference, and  
 (2) this device must accept any interference received, including interference that may cause undesired operation.  
 Any Changes or modifications not expressly approved by the party responsible for compliance could void the user's authority to operate the equipment.  
 Note: This equipment has been tested and found to comply with the limits for a Class B digital device, pursuant to part 15 of the FCC Rules. These limits are designed to provide reasonable protection against harmful interference in a residential installation. This equipment generates uses and can radiate radio frequency energy and, if not installed and used in accordance with the instructions, may cause harmful interference to radio communications. However, there is no guarantee that interference will not occur in a particular installation. If this equipment does cause harmful interference to radio or television reception,

which can be determined by turning the equipment off and on, the user is encouraged to try to correct the interference by one or more of the following measures:  
 -Reorient or relocate the receiving antenna.  
 -Increase the separation between the equipment and receiver.  
 -Connect the equipment into an outlet on a circuit different from that to which the receiver is connected.  
 -Consult the dealer or an experienced radio/TV technician for help.  
 \*RF warning for Mobile device:  
 This equipment complies with FCC radiation exposure limits set for an uncontrolled environment. This equipment should be installed and operated with minimum distance 20cm between the radiator & your body.