

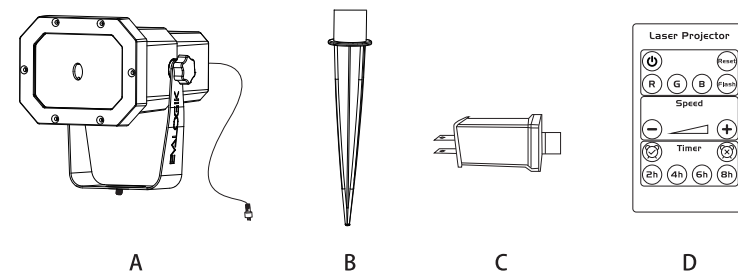
SIZE: 210*297(mm)

80g书写纸单黑双面印刷

EVALOGIK®

NL69

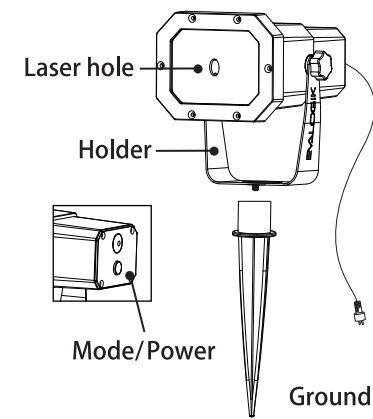
PACKAGE CONTENTS



PART	DESCRIPTION	QUANTITY
A	Laser Light Projector With Holder	1
B	Ground Stake	1
C	Adapter	1
D	Remote	1

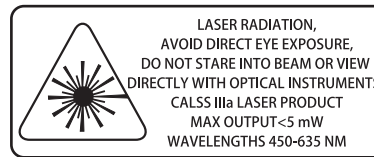
* The adapter input voltage is AC120V

PRODUCT DESCRIPTION

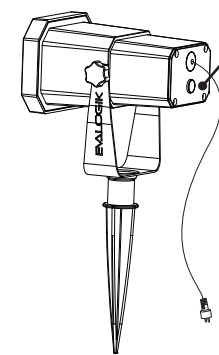


PRODUCT SPECIFICATION
 Laser Classification: Class IIIa
 Laser Wavelength: Red 635 nm, Green 532 nm, Blue 450 nm
 Power: UL Adapter 6V 0.6A
 Operation: Indoor/Outdoor
 Operating Temperature: -15° F to 90° F
 Projection Coverage: 30 ft x 30 ft
 Dimensions: 12.76 in x 6.18 in x 4.90 in
 Cord Length: 6 FT
 Warranty: One Year Limited

Please only use manufacture provided power supply
 Built-in timer function:
 6h ON / 18h OFF



LASER PROJECTOR FUNCTION



- Button Mode
- When turn on the laser and short press the button to switch over to cycle the 14 functions as bellow:

1. Steady on Red	8. Red Flashing
2. Steady on Green	9. Green Flashing
3. Steady on Red & Green	10. Red & Green Flashing
4. Steady on Blue	11. Blue Flashing
5. Steady on Red & Blue	12. Red & Blue Flashing
6. Steady on Green & Blue	13. Green & Blue Flashing
7. Steady on Red, Green & Blue	14. Red, Green & Blue Flashing
 - Press and hold the button to turn off under working status.
 - Short press the button to turn on under power off function, would recover to the mode before power off state.

MEMORY FUNCTION

When power on/turn on, the product would recover to the Previous function state (including mode, color & motor).

PROMPT FUNCTION: Red, green and blue laser quick flash thrice

- When turn off the projector by remote/power button.
- When setting timer function.
- Just left with single laser (red, green or laser), Press the related color laser remote control.
- When the motor speed reach upper limit or lower limit.



<http://www.evalogik.com/>

If you have any questions, Please contact us at ask@nie-tech.com

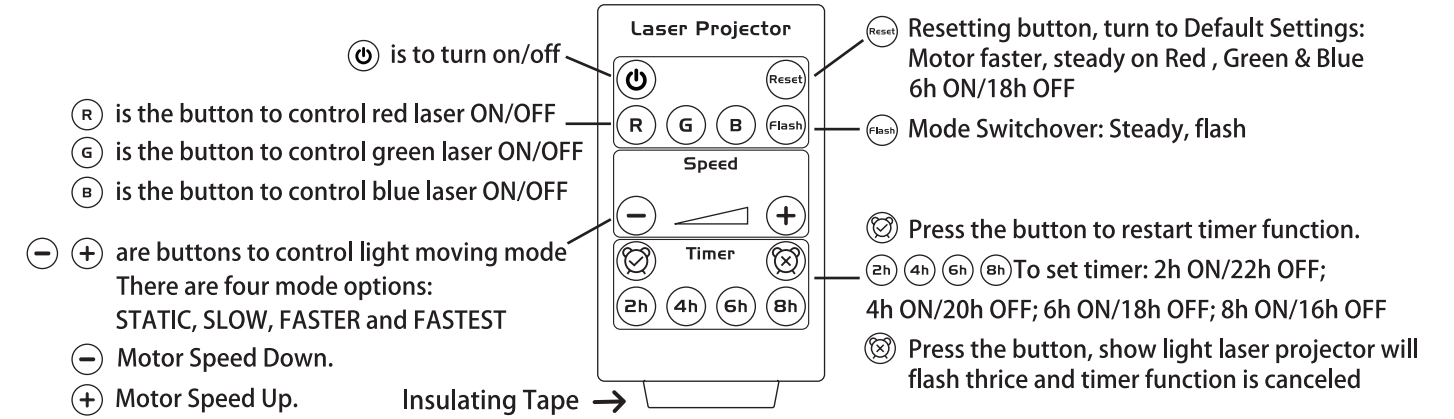


EVALOGIK®

NL69

REMOTE CONTROL

Remote Control Instructions: 1. Remove insulating tape from the battery compartment before use. This remote is RF and receiving distance allowance is 8 meters.



If the remote control does not work, check battery. **WARNING:** This is not a toy and is not intended for use by children.

- Do not dispose of the battery in fire as the battery may leak and explode.
- Do not mix old and new batteries and do not mix alkaline, standard (carbon-zinc), or rechargeable (nickel-cadmium) batteries.
- Exhausted batteries are to be removed from the product.
- Dispose of battery properly by following directions on battery.
- Use CR2025 battery only. Use of other batteries may damage remote control.
- Safe for indoor use.
- Do not expose the Remote Control to moisture.

Battery installation:
 1. Slide battery cover off.
 2. Insert a "CR2025" (3 volt) battery.

Safety Attention

- Turn off 30 minutes after working 6 hours to last the lifetime of product.
- This product is mainly used for outdoor with waterproof Ip65. It has excellent radiating ease. Put it far away from the flammable objects or liquids.
- Please use show light laser projector power adapter to support the light. If you need to change a new adapter, please check the parameter of our adapter before you buy a new one.

CAUTION

- Danger-laser radiation when open.
- Avoid direct exposure to beam.
- Avoid direct eye exposure.
- Laser radiation-do not stare into beam or view directly with optical instruments.
- The use of optical instruments with this product will increase eye hazard.
- Use of controls or adjustments or performances other than those specified herein may result in hazardous radiation exposure.
- Do not point the show light laser projector to the airplane or up in the sky.

FEDERAL COMMUNICATIONS COMMISSION (FCC) STATEMENT

FCC Caution: Changes or modifications not expressly approved by the party responsible for compliance could void the user's authority to operate the equipment.

Note: This equipment has been tested and found to comply with the limits for a Class B digital device, pursuant to part 15 of the FCC Rules. This device complies with Part 15 of the FCC Rules. Operation is subject to the following two conditions:

- This device may not cause harmful interference, and
- this device must accept any interference received, including interference that may cause undesired operation. These limits are designed to provide reasonable protection against harmful interference in a residential installation. This equipment generates, uses and can radiate radio frequency energy and, if not installed and used in accordance with the instructions, may cause harmful interference to radio communications. However, there is no guarantee that interference will not occur in a particular installation. If this equipment does cause harmful interference to radio or television reception, which can be determined by turning the equipment off and on, the user is encouraged to try to correct the interference by one or more of the following measures: - Reorient or relocate the receiving antenna. - Increase the separation between the equipment and receiver. - Connect the equipment into an outlet on a circuit different from that to which the receiver is connected. - Consult the dealer or an experienced radio/TV technician for help.

INDUSTRY CANADA CONFORMITY STATEMENT

This device complies with Industry Canada licence-exempt RSS standard(s). Operation is subject to the following two conditions:

- This device may not cause interference, and
- This device must accept any interference, including interference that may cause undesired operation of the device.

CAN ICES-005(B)/NMB-005(B)