



Thank you for selecting Globe as your smart home solution. With proper care, this product will provide years of pleasure and enjoyment.

## SMART POWER STRIP

### SAVE THESE INSTRUCTIONS

# CAUTION IMPORTANT SAFETY INSTRUCTIONS

**CAUTION:** This power strip has a 1 year manufacturer warranty from date of purchase. If the power strip fails within that time, please contact our customer care team, or visit our website to submit a warranty request. This warranty is void if the product is misused in any way. This replacement is the only option available and liability for incidental or consequential damages are expressly excluded. Please see remaining CAUTION text for proper use.

For use only in 125V/60HZ circuits. Risk of electrical shock. Do not open, no user-serviceable parts inside. This device is not intended for use with emergency exit fixtures or emergency exit lights, photocells and electronic timers. This device is intended for indoor use or weather protected fixtures. Do not use where directly exposed to water. Minimum operating temperature is 0 °C (32 F).

This device complies with Part 15 of the FCC rules. Operation is subject to the following two conditions: (1) this device may not cause harmful interference, and (2) this device must accept any interference received, including interference that may cause undesired operation. Any changes or modifications not expressly approved by the manufacturer could void the user's authority to operate the equipment.

**WARNING:** Changes or modifications to this unit not expressly approved by the party responsible for compliance could void the user's authority to operate the equipment. NOTE: This equipment has been tested and found to comply with the limits for a Class B digital device, pursuant to Part 15 of the FCC Rules. These limits are designed to provide reasonable protection against harmful interference in a residential installation. This equipment generates, uses and can radiate radio frequency energy and, if not installed and used in accordance with the instructions, may cause harmful interference to radio communications. However, there is no guarantee that interference will not occur in a particular installation. If this equipment does cause harmful interference to radio or television reception, which can be determined by turning the equipment off and on, the user is encouraged to try to correct the interference by one or more of the following measures: Reorient or relocate the receiving antenna. Increase the separation between the equipment and receiver. Connect the equipment into an outlet on a circuit different from that to which the receiver is connected. Consult the dealer or an experienced radio/TV technician for help.

#### RF EXPOSURE

The equipment complies with FCC radiation exposure limits set forth for an uncontrolled environment. This device should be installed and operated with minimum distance 20cm between the radiator and your body.

#### USER MANUAL NOTICE FOR LICENSE-EXEMPT RADIO APPARATUS

This device complies with Industry Canada license-exempt RSS standard(s). Operation is subject to the following two conditions: (1) this device may not cause interference, and (2) this device must accept any interference, including interference that may cause undesired operation of the device. CAN ICES-003(B)

#### RADIATION EXPOSURE STATEMENT:

This equipment complies with IC radiation exposure limits set forth for an uncontrolled environment. This equipment should be installed and operated with minimum distance 20cm between the radiator and your body.

#### FCC RESPONSIBLE PARTY

Globe Electric  
2264 East 6th Street  
San Bernardino, CA 92410  
www.globe-electric.com

Since 1932, Globe has taken pride in offering products of the highest quality, and a level of service unparalleled in the industry. Should you encounter any difficulties, have any questions or simply wish to offer us your valuable feedback, you may contact us in the following ways:  
Toll Free Telephone: 1-888-543-1388 (North America Only) / Toll Free Fax: 1-800-668-4562 (North America Only)  
E-Mail: info@globe-electric.com  
Mail: Globe Electric Customer Service Department  
150 Oneida, Montreal, Quebec, Canada H9R 1A8  
Please visit our website to discover other quality Globe products: <http://www.globe-electric.com>



Globe Suite™ Guide

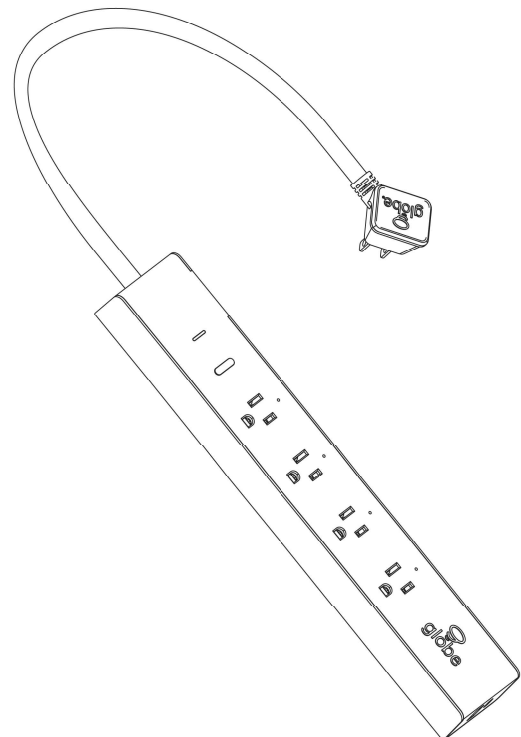
Scan with your mobile device

## FEATURES

- Automate your power strip through the Globe Suite™ app with Routines (see page 3 for details).
- Control your smart power strip with the free Globe Suite™ app, or through a voice assistant.
- Create smart scenes with other Globe smart products to automate your home. Visit our website for more details: [globe-electric.com/smart](http://globe-electric.com/smart)

## SPECIFICATIONS

15A MAX	60 Hz
1875 W	125 VAC
300 joules	4ft fabric cord
Type 3 SPD VPR 700V(L-N) Blue indicator light	SPT-3 14 gauge



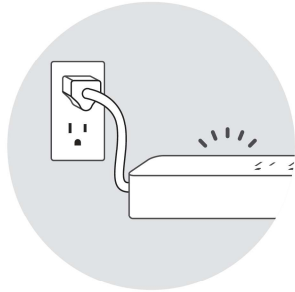


## 1

### Download the Globe Suite™ app

Make sure your mobile device is running **iOS 9.0/watchOS 2.0/Android™ 4.4 or higher.**

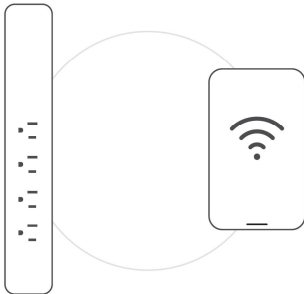
- Download the **Globe Suite™** app from the iOS or Android store.
- Use your email to create an account and log in.



## 2

### Set your smart power strip in pairing mode

- Insert your power strip into the desired outlet.
- The blue indicator light on the power strip should be **blinking rapidly**.
- If it does not, turn the power strip off, on, off, on and wait for the LED indicator light to be blinking rapidly.

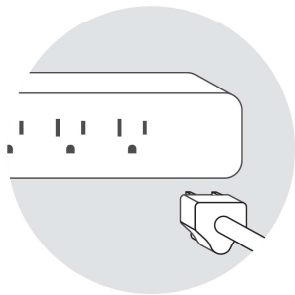


## 3

### Connect to the Globe Suite™ app

On your mobile device, please ensure all requested permissions are enabled: **Wi-Fi, Bluetooth, Location Services.**

- Select the “+” icon in the top right of the Globe Suite™ app home screen.
- If the LED indicator light is flashing rapidly, the “scan” mode will detect your power strip within a few seconds. When discovered, select the power strip, and tap on “Next.”
- Enter your Wi-Fi credentials correctly.



## 4

### Your smart power strip is ready!

- Name your device and choose which room to place it in.
- You can now control your smart power strip directly from the Globe Suite™ app.
- Still need help? Select the “How do I set device into pairing mode” link on the “scan” page and follow the in-app instructions or view the video.
- Or check out the QR code for a short instructional video (see page 1).

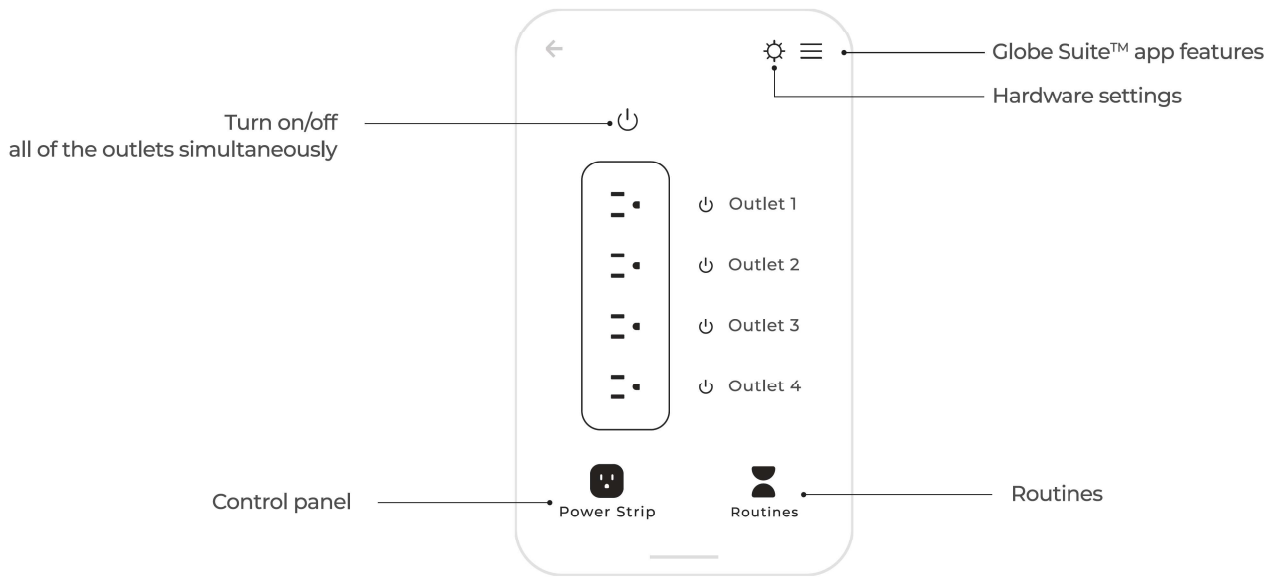


## 5

### Set up voice assistance

- On the home screen, select “Profile,” and select “Integration.” Choose your voice assistant and follow the instructions within the app.
- Create Siri Shortcuts (for iOS)
  - On the home screen, select "Smart Scenes," then select the “+” icon to add a Trigger Scene.
  - Once completed, select "Add to Siri" and add the phrase to Siri Shortcuts.
  - \*Please note that the exact phrase must be said to execute the Trigger Scene with Siri.\*

# CONTROLLING THE POWER STRIP THROUGH THE APP



## BASIC CONTROL

### Power

Turn your power strip on or off directly.

## ROUTINES

### Timer

Set a countdown for your power strip to turn on or off once the timer runs out.

### Cycle

Schedule on and off cycles for your smart power strip for a set amount of time.

### Auto-off

Automate your power strip to turn off after a set amount of time after each use and never worry about forgetting to turn off an appliance.

### Vacation

Schedule your device to automatically turn on and off to give the appearance someone is home while you are away.

### Add a new schedule

Set a time and date for your power strip to either turn on or off to create additional routines that fit your specific needs.



Scan the QR codes for a more in-depth look of how the features work.

## HARDWARE SETTINGS

### Restart status

Set the default state of the power strip when reconnected to a power source. Choose from Off, On, or Last status.

### Light mode

Turn the blue indicator light on the physical device on or off.

## GLOBE SUITE™ APP FEATURES

### Device offline notification

Select to receive a notification if your power strip goes offline.

### Device sharing

Share access to your connected device with another Globe Suite™ app user.

### Device grouping

Group multiple Globe Suite™ smart power strips together to control them in unison, rather than individually.

### Add to home screen

Create a widget on your phone and/or tablet's home screen for easy access to the power strip.