

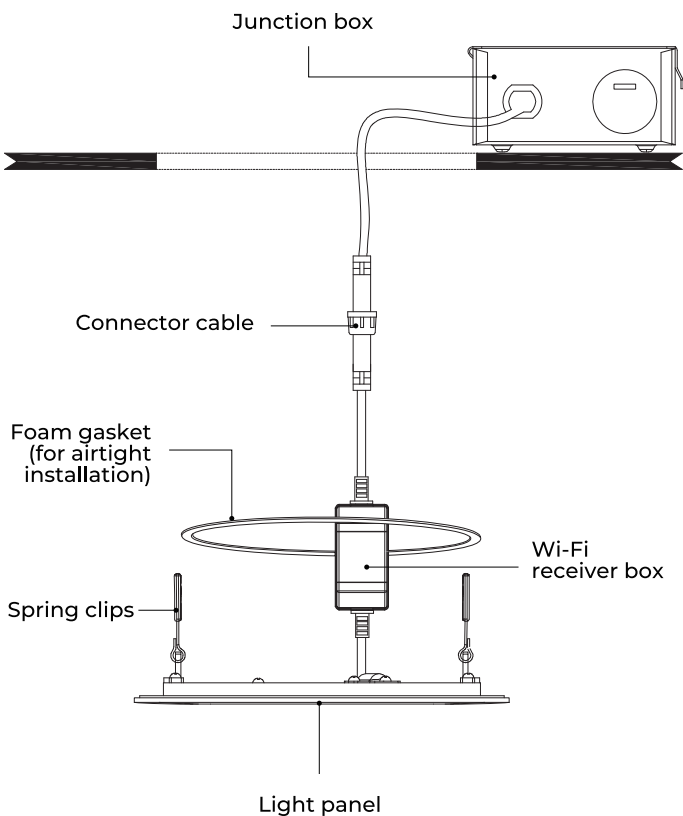


Thank you for selecting Globe as your smart home solution. With proper care, this product will provide years of pleasure and enjoyment.

## SMART RECESSED LIGHTING

Check out the installation video on our website: [globe-electric.com/smart](http://globe-electric.com/smart)

### WHAT'S IN THE BOX



### SPECIFICATIONS

- Suitable for wet locations, and can be used indoors and outdoors.
- IC-rated and can come into contact with insulation.
- For new construction, retro-fit and insulated ceilings.
- Minimum starting temperature is  $-18^{\circ}\text{C}$  ( $0^{\circ}\text{F}$ )
- Suitable for all locations, and ideal for tight spaces.
- Dimmable: 10%-90% brightness
- Colour-changing
- Size: 0.4" (10 mm)

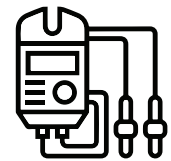
### TOOLS REQUIRED



Phillips head screwdriver



Pliers



Electrical tester

### FOR YOUR SAFETY



Most electrical accidents are caused by carelessness or ignorance. If you combine a basic knowledge of electricity, a healthy respect for it, and a dose of common sense, you can safely tackle many household electrical repairs. Here are some basic guidelines for working with electricity:

- Before working on a circuit, go to the main service panel and remove the fuse or trip the breaker that controls that circuit. Tape a sign to the panel warning others to leave the circuit alone while you work.
- Before touching any wire, use a voltage tester to make sure it's not live. Whenever you check for voltage in a receptacle, check both outlets—each may be controlled by a separate wiring circuit.
- To protect children, place safety covers over any unused outlets.
- Always work with enough light to see what you are doing; it's easy to make mistakes when you're working in dim light.

**Before assembling your lighting fixture, TURN OFF THE POWER and consult a qualified licensed electrician.**

## WARNING

Improper wiring of any electrical device can cause fire, serious injury or death. Always consult a qualified licensed electrician who will ensure the switch is installed in accordance with local electrical codes and regulations. Before starting installation, ensure the power is disconnected at the circuit breaker and test existing switch with a voltage tester.

### Caution

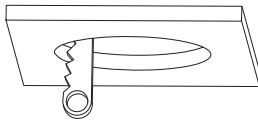
- Make sure that the power at the circuit breaker is off before wiring.
- Neutral wire is required. Confirm the wall box contains a neutral wire (typically white).
- The wire colours indicated in this manual are the common colors and may differ in some homes. Please contact an electrician if you have different wire colours.
- Ensure the wire conductors are securely fastened to each wire.

## MOUNTING INSTRUCTIONS

### HOUSING INSTALLATION:

1. Turn power OFF from the electrical panel prior to installation.
2. Determine the location for installation and cut a hole of the appropriate size in the ceiling. Refer to the Hole Diameter table for appropriate sizes or use the supplied template. (Fig. 1)
3. Open the junction box cover and remove the appropriate knockout(s) on the side panel. (Fig. 2)
4. Insert the electrical supply cable through the knockout. If you do not have electrical wiring experience, Globe recommends consulting a qualified licensed electrician who will ensure the fixture is installed in accordance with local installation codes.
5. Using quick-connect push-in terminals, connect the green ground wire to the green wire terminal; the black wire to the black wire terminal; the white wire to the white wire terminal. (Fig. 2) Use the cable clamp to secure wire in knockout hole.
6. Place all wiring and connections back into the box and close the cover. Plug the connector cable from the junction box into the light panel, secure with screw cover.
7. Insert the junction box through the mounting hole. (Fig. 3)
8. Push spring-loaded clips on the fixture upwards and insert the fixture base into the mounting hole. Release the clips and the fixture will be pulled flush with the ceiling. (Fig. 4)
9. For airtight requirements, ensure the foam gasket remains between fixture and ceiling (do not remove).

Fig. 1



#### Cutting Hole diameter

4 inch slim	4 1/4" ± 1/8" (83 ± 3mm)
-------------	--------------------------

Fig. 2

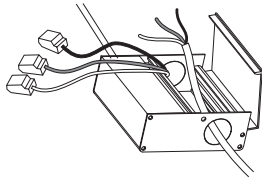


Fig. 3

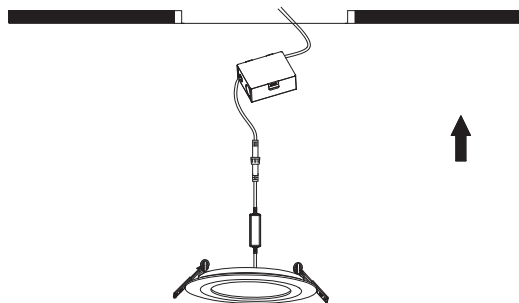


Fig. 4

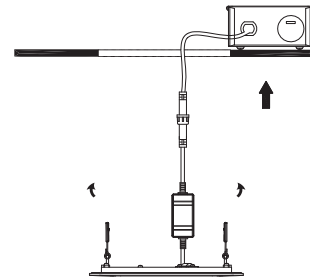
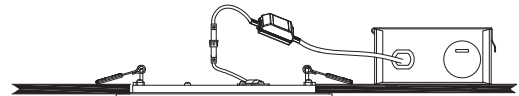


Fig. 5



Once the fixture has been installed, you're now ready to pair it with your Globe Suite™ App (see connecting instructions).

# CERTIFIED

- IC-rated for direct contact with insulation
- Energy Star
- Wet-rated
- Airtight per ASTM-E283-04
- CAN ICES-005 (B)
- This device complies with Part 15 of the FCC rules. Operation is subject to the following two conditions: (1) this device may not cause harmful interference, and (2) this device must accept any interference received, including interference that may cause undesired operation.
- Changes or modifications made to this product are not expressly approved by the party responsible and could void the user's warranty of the equipment.

**NOTE:** This equipment has been tested and found to comply with the limits for a Class B digital device, pursuant to Part 15 of the FCC Rules. These limits are designed to provide reasonable protection against harmful interference in a residential installation. This equipment generates, uses and can radiate radio frequency energy and, if not installed and used in accordance with the instructions, may cause harmful interference to radio communications. However, there is no guarantee that interference will not occur in a particular installation. If this equipment does cause harmful interference to radio or television reception, which can be determined by turning the equipment off and on, the user is encouraged to try to correct the interference by one or more of the following measures: Reorient or relocate the receiving antenna. Increase the distance between the equipment and receiver. Connect the equipment to an outlet on a circuit different from that to which the receiver is connected. Consult the dealer or an experienced radio/TV technician for help.

## RF EXPOSURE

The equipment complies with FCC radiation exposure limits for an uncontrolled environment. This device should be installed and operated with a minimum of 20 cm between the radiator and your body.

## USER MANUAL NOTICE FOR LICENCE-EXEMPT RADIO APPARATUS

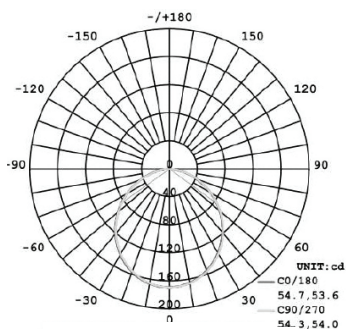
This device complies with Canada Industry licence-exempt RSS standard(s). Operation is subject to the following two conditions: (1) this device may not cause interference; and (2) this device must accept any interference. Including interference that may cause undesired operation of the device. CAN NMB-005 (B).

## RADIATION EXPOSURE STATEMENT

This equipment complies with IC radiation exposure limits set forth for an uncontrolled environment. This equipment should be installed and operated with minimum distance 20cm between the radiator and your body.

**WARNING:** Changes or modifications to this unit not expressly approved by the party responsible for compliance could void the user's authority to operate the equipment. **NOTE:** This equipment has been tested and found to comply with the limits for a Class B digital device, pursuant to Part 15 of the FCC Rules. These limits are designed to provide reasonable protection against harmful interference in a residential installation. This equipment generates, uses and can radiate radio frequency energy and, if not installed and used in accordance with the instructions, may cause harmful interference to radio communications. However, there is no guarantee that interference will not occur in a particular installation. If this equipment does cause harmful interference to radio or television reception, which can be determined by turning the equipment off and on, the user is encouraged to try to correct the interference by one or more of the following measures: Reorient or relocate the receiving antenna. Increase the separation between the equipment and receiver. Connect the equipment to an outlet on a circuit different from that to which the receiver is connected. Consult the dealer or an experienced radio/TV technician for help.

**LIMITED WARRANTY:** This smart recessed light is warranted to last 2 years from the date of purchase based on use of 3 hours per day. If it fails before that time, we will replace it. Send the recessed light, proof of purchase and register receipt along with your complete name and address to Globe Electric. See caution text for proper use. This warranty is void if this product is misused in any way. This replacement is the sole remedy available and liability for incidental or consequential damage is expressly excluded. This device is not intended for use with emergency exit fixtures or emergency exit lights, photocells and electronic timers.



AVERAGE BEAM ANGLE (50%): 108.3 DEG