

Outdoor Fixed Security Light with Wifi module

MODEL:17000274

INTRODUCTION

The Light incorporates a PIR (Passive Infra Red) sensing device which continuously scans a preset operating zone and immediately switches the light on when it detects movement in that area. This means that whenever movement is detected within the range of the sensor the light will switch on automatically to illuminate pathways, steps, patios, porches, or whatever area you have selected to light for reasons of safety, convenience or security. While there is movement within range of the unit the light will remain on.

WHILE TO FIT YOUR LIGHT

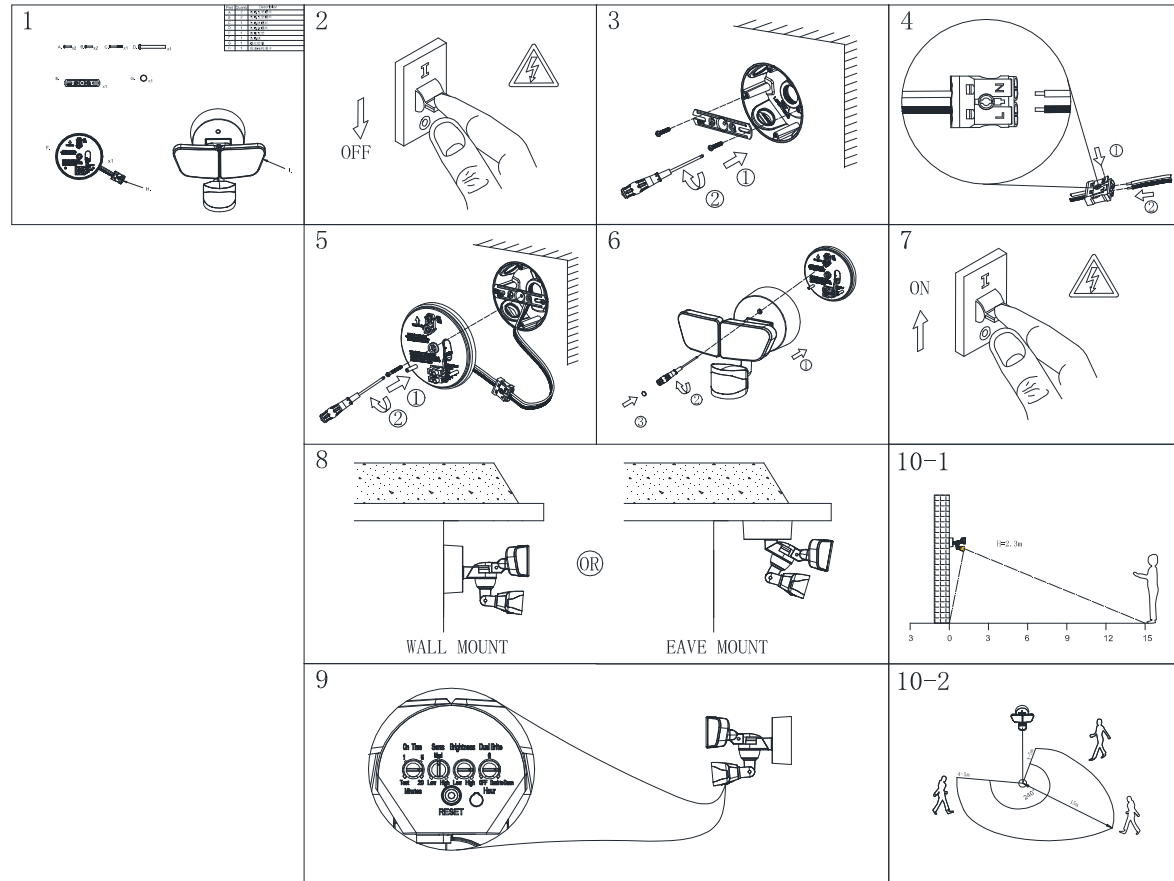
To achieve best results, we suggest you account the following points:

- Ideally the Light should be mounted 1.8 to 2.5 meters (6 to 8ft) above the area to be scanned
- To avoid damage to unit-do not aim the sensor towards the sun.
- To avoid nuisance triggering, the sensor should be directed away from heat sources such as barbecues, Air-conditioners, other outside lighting, moving cars and flue vents.
- To avoid nuisance triggering, keeping away from the area of strong electromagnetic disturbance.
- Do not aim towards reflective surfaces such as smooth white walls, swimming pools, etc. The Security light scanning specifications (Max. 15 meters at 240°) may vary slightly depending on the mounting height and location. The detection range of the unit may also alter with temperature change. Before selecting a place to install your light you should note that movement across the scan area is more effective than movement directly toward or away from the sensor. (refer Figure). If movement is made walking directly towards or away from the sensor and not across, the apparent detection range will be substantially reduced.

FITTING THE UNIT

Installation by a licensed electrician and according to IEC wiring Regulation.

Before commencing any electrical work, ensure mains supply cables are isolated by switching off and removing the relevant



fuse.

1. Mounting the mounting support onto the Junction box
2. Connect the main cable to the terminal
3. Mounting the mounting panel onto the mounting support
4. Mounting the main light onto the mounting panel.
5. Switch the main power on.

IMPORTANT:

1. Never attempt to remove the lens cover as this will damage the sensor and render all guarantees invalid.
2. Before touching the light, please switch off first and then let it cool

UNDERSTANDING THE CONTROLS (referring to the Figure)

ADJUSTING THE ON TIME: The length of time that remains switched on after activation can be adjusted between TEST, 1min, 5min, 20min .

Note:

1. Once the light has been triggered by the PIR sensor any subsequent detection will start the timed period again from the beginning.
2. TEST, the light will turn on about 5s whether day or night
3. 1min, 5min, 20min: The light only turn on at night.

ADJUSTING THE DURATION SENS: The sensitivity means the Maximum distance which PIR Sensor can be triggered by movement body.

ADJUSTING THE Brightness LEVEL: The brightness of the light can be adjusted between high and low

ADJUSTING THE Dual Brite: The Dual brightness of the light can be adjusted between OFF ,6h ,Dusk to Dawn.

OFF: No dual brightness

6h: The light will turn on at low brightness at night, then off after 6 hours or going to day, in this time, When the signal is sensed, the lights will turn on high brightness.

Dusk to Dawn: The light will turn on at low brightness all the night,, in this time, When the signal is sensed, the lights will turn on high brightness.

RESET: Press the reset button more than 5s, the wifi will Restore to factory settings

TECHNICAL DETAILS :

- **Voltage:**108-132 VAC ~ 60Hz
- **Wattage:** 22W LED
- **Lumen:** 2200LM
- **Color temperature:**4000K
- **Detection range:** 240° and Max. 15 meters
- **Duration time:** TEST ,1min,5min,20min
- **Weatherproof:** IP44
- Protection: Class II
- Suitable for indoor and outdoor use

**Company : AUROLITE AUTOTECH
GUANGDONG LTD**

**Address : No. 1 Jinsheng 1 Road, Hualong
Town, Panyu District, Guangzhou, China**

This device complies with Part 15 of the FCC Rules. Operation is subject to the following two conditions: (1) this device may not cause harmful interference, and (2) this device must accept any interference received, including interference that may cause undesired operation.

Warning: Changes or modifications to this unit not expressly approved by the party responsible for compliance could void the user's authority to operate the equipment.

Note: This equipment has been tested and found to comply with the limits for a Class B digital device, pursuant to part 15 of the FCC Rules. These limits are designed to provide reasonable protection against harmful interference in a residential installation. This equipment generates, uses and can radiate radio frequency energy and, if not installed and used in accordance with the instructions, may cause harmful interference to radio communications. However, there is no guarantee that interference will not occur in a particular installation. If this equipment does cause harmful interference to radio or television reception, which can be determined by turning the equipment off and on, the user is encouraged to try to correct the interference by one or more of the following measures:

- Reorient or relocate the receiving antenna.
 - Increase the separation between the equipment and receiver.
 - Connect the equipment into an outlet on a circuit different from that to which the receiver is connected.
 - Consult the dealer or an experienced radio/TV technician for help.
- This device contains licence-exempt transmitter(s)/receiver(s) that comply with Innovation, Science and Economic Development Canada's licence-exempt RSS(s).

Operation is subject to the following two conditions:

1. This device may not cause interference.
2. This device must accept any interference, including interference that may cause undesired operation of the device.

FCC Responsible Party Name:Globe Electric Company Inc.

Address: 150 Av. Oneida, Pointe-Claire, QC H9R 1A8 Canada

Telephone Number: (514) 694-0444

CAN ICES-005 (B)/NMB-005 (B)

RF warning for Mobile device:

This equipment complies with FCC radiation exposure limits set forth for uncontrolled environment. This equipment should be installed and operated with minimum distance 20cm between the radiator & your body.

This device contains licence-exempt transmitter(s)/receiver(s) that comply with Innovation, Science and Economic Development Canada's licence-exempt RSS(s). Operation is subject to the following two conditions:

- (1) This device may not cause interference.
- (2) This device must accept any interference, including interference that may cause undesired operation of the device.

Cet appareil contient des émetteurs / récepteurs exemptés de licence conformes aux RSS (RSS)d'Innovation, Sciences et Développement économique Canada. Le fonctionnement est soumis aux deux conditions suivantes :

- (1) Cet appareil ne doit pas causer d'interférences.
- (2) Cet appareil doit accepter toutes les interférences, y compris celles susceptibles de provoquer un fonctionnement indésirable de l'appareil.

avertissements radio pour les appareils portables :

L' équipement a été évalué et satisfait aux exigences générales d'exposition par radiofréquence. L'appareil peut être utilisé sans restriction dans des conditions d'exposition portables.