



**PORTABLE
DAZZLE
LED LIGHT-UP BLUETOOTH SPEAKER**



DCS-6/1947

INSTRUCTION MANUAL

**PLEASE READ ALL INSTRUCTIONS CAREFULLY
AND RETAIN FOR FUTURE USE**

Getting Started

- Remove the speaker from the box.
- Please retain all packaging until you have checked and counted all the parts and the contents against the parts list.

Package Contents

- DAZZLE - LED Light-Up Bluetooth Speaker
- Type-C rechargeable cable
- Auxiliary cable
- Instruction Manual

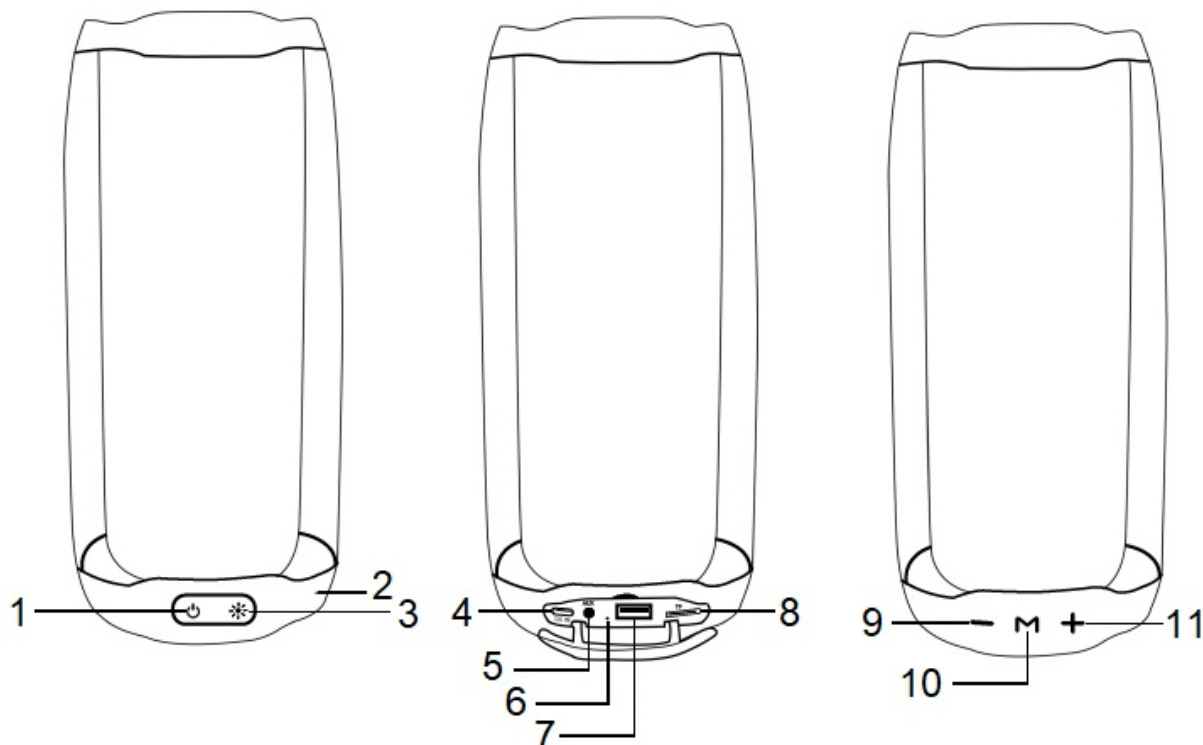
Key Features

- DAZZLE - LED Light-Up Bluetooth Speaker
- Connects to Bluetooth enabled devices; stream music wirelessly
- Color changing LED lights
- Multi-function: Bluetooth, FM radio, Micro-SD card slot, USB slot & Aux-jack
- Portable & suitable for all occasions
- Rechargeable battery
- Support TWS function

SAFETY INSTRUCTIONS

- Keep the speaker away from heat sources, direct sunlight, humidity, water and any other liquids.
- Do not operate the speaker if it has been exposed to water, moisture or any other liquids to prevent against electric shock, explosion and/or injury to yourself and damage to the speaker.
- Do not use the speaker if it has been dropped or damaged in any way.
- Repairs to electrical equipment should only be performed by a qualified electrician. Improper repairs may place the user at serious risk.
- Do not use the speaker with wet hands.
- Do not put objects into any of the openings.
- Keep the speaker free from dust, lint etc.
- Do not use this speaker for anything other than its intended use.
- Keep the speaker out of reach of children.
- This appliance is not a toy.
- Batteries (battery pack or batteries installed) shall not be exposed to excessive heat place, such as sunshine, fire or the like.

Description of Parts



1	ON/OFF/Play/Pause/Phone Button
2	Built-in Mic
3	Light Button
4	Charging Port
5	Auxiliary Port
6	LED Indicator
7	USB Slot
8	Micro SD (TF) Card Slot
9	Skip Backward/Volume Decrease - Button
10	Mode Button
11	Skip Forward/Volume Increase + Button

INSTRUCTIONS FOR USE

Charging the speaker

The speaker has built-in rechargeable battery. When the battery is drained out, speaker would turn OFF automatically. Please recharge the battery every time it drains out.

Plug the Type-C end of the included Type-C rechargeable cable into the charging port. Plug the other end into a USB port on your computer or other devices made for USB charging. Red LED Light illuminates indicating that the device is being charged.

It takes 2-4 hours to fully charge the speaker. Once the speaker is fully charged, LED Light would turn OFF.

It is recommended to fully charge the speaker before its first use.

Turning ON/OFF the Speaker –

Before Turning ON the speaker, please ensure that it is fully charged.

Long press ON/OFF button for about 2-3 seconds to turn on the unit, and 4-5 seconds to turn off.

Connect using Bluetooth Technology

- Long press ON/OFF button for about 2-3 seconds to turn on the unit. You would hear an indication tone, and Blue LED light would flash rapidly, indicating that you are now in Bluetooth Pairing Mode.
- Activate the Bluetooth function on your source device (Mobile Phone or Tablet). Please refer to manufacturer’s instructions for instructions on enabling Bluetooth on your device.
- Search for available Bluetooth devices and you would find “**SL DAZZLE**” – Pair it with this device.
- You might be prompted with “Pair with **SL DAZZLE?**” message on your source device, with “Cancel” and “OK” options. Please click “OK”.
- If required, enter the password “0000” to pair with the device.
- Once paired successfully, you will hear another indication tone, and Blue LED will stay on.
- You can now stream wireless music on your speaker through your source device.

Talking using the Bluetooth Speaker

Please ensure that you are paired with the Bluetooth Speaker to use the below functions.

Function	Operation	Button
Answer Incoming Call	Incoming Call	Press the Phone once to answer an incoming call.
Reject incoming call	Incoming Call	Long Press the Phone button
End Call	Incoming Call	After your phone conversation, short press the Phone button
Increase Volume	During a call	Long press the + button to increase the volume
Decrease Volume	During a call	Long press the - button to decrease the volume
Redial last number	Standby mode and connected to a device	Short press the Phone button twice

Stream Wireless Music

Please ensure that your device (iPhone, Tablet or Other Smart Phone) is paired with the Bluetooth Speaker to stream music wirelessly. Once it is paired, play music from your device.

Function	Operation	Button
Increase Volume	Playing music	Long press the + button to increase the volume
Decrease Volume	Playing music	Long press the - button to decrease the volume
Pause	Playing music	Short press the Play/Pause button will pause the music
Play	Pausing	Short press the Play/Pause button will resume the music

Previous track	Playing music	Short press the Skip Backward button will return you to the previous track
Next track	Playing music	Short press the Skip Forward button will take you to the next track

(Note: The above functions only can be used in Bluetooth mode only. An indication tone will alert you when the volume is adjusted to the maximum level. In Aux mode, besides the volume increase/decrease, for other functions you will need to control through your source device.)

TWS pairing use (if you own 2 Bluetooth Speakers)

- Make sure both speakers are “ON” and not paired with any Bluetooth device. An indication tone would be heard from each speaker.
- Long press the Mode button on any one speaker for 2 seconds, an indication tone would be heard. After few seconds, another indication tone would be heard if both speakers pair together automatically.
- Activate the Bluetooth function on your source device (Mobile Phone, Tablet etc). Please refer to manufacturer’s instructions for instructions on enabling Bluetooth on your device.
- Search for available Bluetooth devices and you would find “**SL DAZZLE**” – Pair it with this device.
- You might be prompted with “Pair with **SL DAZZLE?**” message on your source device, with “Cancel” and “OK” options. Please click “OK”.
- If required, enter the password “0000” to pair with the device.
- Once paired successfully, another indication tone would be heard.
- You can now stream wireless music on your speaker through your source device.

Note: TWS stands for True Wireless. If you want to separate 2 speakers for individual use, long press the Mode button on any one speaker for 2 seconds.

Stream music from USB or Micro SD (TF) Card –

- Turn ON the speaker.
 - Insert the USB drive or Micro SD (TF) Card preloaded with songs into the USB slot or Micro SD (TF) Card Slot of the speaker respectively. Speaker would automatically start playing songs from the Micro SD (TF) Card.
- Note: USB or Micro SD (TF) Card not included.*
- To Skip Track Forward – Short press the Skip Forward button.
 - To Skip Track Backwards – Short press the Skip Backward button.
 - To Pause the Track – Short press the Play/Pause button.
 - To Play the Track – Short press the Play/Pause button.
 - Long press + to increase the volume or - to decrease the volume.

Note: USB / Micro SD (TF) Card: Supports up to 128GB; Supports music file format: MP3, WAV, WMA, APE, FLAC. USB Flash Drive or Micro SD (TF) Card not included.

Listening to FM radio

- Turn ON the speaker.
- Plug the Type-C end of the included Type-C rechargeable cable into the charging port of the unit, and leave the other end of the cable open. Type-C cable serves as FM antenna for better reception.

- Press the Mode button each time until it reaches FM radio mode, with sound from a FM radio station.
- To AUTO-SCAN the stations, short press the Play/Pause button.
- It will take few minutes to search all the stations. Once all the stations are scanned, they get registered in memory, automatically.
- Press + or - to skip selected stations.
- Long press + to increase the volume or - to decrease the volume.

Play music through “Auxiliary” mode

- Turn ON the speaker.
- Insert one end of the Auxiliary cable (included) into the Auxiliary port, and the other end to the audio device (such as phone / MP3 Player / computer / tablet etc.).
- Select your favourite song at the source device to play.
- Long press + to increase the volume or - to decrease the volume.

Note: Media can be controlled only through the source devices, while playing music in Auxiliary mode.

Color Changing LED light Mode (LEDs are not replaceable)

1. Turn ON the device.
2. Short press the Light button each time to change 12 different color changing LED light patterns (including off light mode). Patterns 10 and 11 are the lights that respond to music tunes.

Tips!!

1. Press the “Mode button” to switch different functions of the speaker between – Bluetooth / USB-Micro SD (TF) / FM radio / AUX-In.
2. When the speaker is not in use, turn it OFF in order to save the battery power.

Specifications –

Bluetooth® Version: 5.0

Wireless Streaming Range: 26-33 Feet

Speaker output: 5W

FM frequency range: 87.5-108MHz

Size: Dia. 3.70” x H8.25”

Weight: ~24.3 oz

Power Input: DC 5V

Charging Time: 2-4 hours

Play time: 1-2 hours (moderate volume)

Built-In Rechargeable Battery: 3.7V / 1200mAh

USB / Micro SD (TF) Card: Supports up to 128GB, supports music file format: MP3, WAV, WMA, APE, FLAC

(Note: Battery life & charging time may vary based on usage, types of devices connected & wireless distance.)

Troubleshooting

Problem	Possible Cause	Solution
Low sound level	Source (Tablet, Mobile Phone, Laptop, etc.) volume too low.	Adjust source volume.
	Battery dead	Charge Battery.
Sound distorted	Battery nearly dead	Charge Battery.
No sound at all.	Source (Tablet, Mobile Phone, Laptop.) turned off.	Turn the source on.
	Speaker turned off.	Turn the speaker on.
	Volume turned down source.	Adjust volume source.
	Media paused on source.	Play media from source.

Care and maintenance

Read the following recommendations before using the Bluetooth Speaker. Following these you will be able to enjoy the product for many years.

- Do not expose the unit to liquid, moisture or humidity to avoid the product's internal circuit being affected.
- Don't use abrasive cleaning solvents to clean the unit.
- Do not expose the unit to extremely high or low temperature as this will shorten the life of electronic devices, destroy the battery or distort certain plastic parts.
- Don't dispose of the unit in fire as it will result in an explosion.
- Don't expose the unit to contact with sharp objects as this will cause scratches and damage.
- Don't let the unit fall down onto the floor. The internal circuit might get damaged.
- Don't attempt to disassemble the unit as it may get damaged if you are not professional.

FCC Instructions

Caution: Changes or modifications not expressly approved by the party responsible for compliance could void the user's authority to operate the product.

NOTE: This product has been tested and found to comply with the limits for a Class B digital device, pursuant to Part 15 of the FCC Rules. These limits are designed to provide reasonable protection against harmful interference in a residential installation. This product generates, uses and can radiate radio frequency energy and, if not installed and used in accordance with the instructions, may cause harmful interference to radio communications. However, there is no guarantee that interference will not occur in a particular installation. If the product does cause harmful interference to radio or television reception, which can be determined by turning the equipment off and on, the user is encouraged to try to correct the interference by one or more of the following measures:

- Reorient or relocate the receiving antenna.
- Increase the separation between the product and receiver.
- Connect the product into an outlet on a circuit different from that to which the receiver is connected.
- Consult the dealer or an experienced radio/TV technician for help.

This device complies with part 15 of the FCC Rules. Operation is subject to the following two conditions: (1) This device may not cause harmful interference, and (2) this device must accept any interference received, including interference that may cause undesired operation.

The device has been evaluated to meet general RF exposure requirement.

Limited Warranty

This manufacturer's product warranty extends to the original consumer purchaser of the product. Neither the retailer nor any other company involved in the sale or promotion of this product is a co-warrantor of this manufacturer warranty.

WARRANTY DURATION: All materials and workmanship are warranted to the original consumer purchaser for a period of ninety (90) days from the original purchase date.

WARRANTY COVERAGE: This product is warranted against defective materials or workmanship. This warranty is void if the product has been damaged by accident, in shipment, unreasonable use, misuse, neglect, improper service, commercial use, repairs by unauthorized personnel or other causes not arising out of defects in materials or workmanship. This warranty is effective only if the product is purchased and operated in USA, and does not extend to any units which have been used in violation of written instructions furnished by manufacturer or to units which have been altered or modified or, to damaged products or parts thereof which have had the serial number removed, altered, defaced or rendered illegible.

WARRANTY DISCLAIMERS: This warranty is in lieu of all warranties expressed or implied and no representative or person is authorized to assume for manufacturer any other liability in connection with the sale of our products. There shall be no claims for defects or failure under any theory of tort, contractor commercial law including but not limited to, negligence, gross negligence, strict liability, breach of warranty and breach of contract. Under no circumstances will Manufacturer's / Distributor's maximum liability exceed the retail value of the product.

WARRANTY PERFORMANCE: During the above 90-day warranty period, a product with a defect will be either repaired or replaced with a reconditioned comparable model (at manufacturer's option). The repaired or replacement product will be in warranty for the balance of the 90-day warranty period and an additional one-month period. No charge will be applicable for such repair or replacement.

SERVICE AND REPAIR: If service is required for this product, you should first contact Midwest Trading Group Customer Service at info@mtradinggroup.com or by calling 1 (866) 815-4714, Monday to Friday 10am to 6pm EST.

NOTE: Manufacturer cannot assume responsibility for loss or damage during incoming shipment. As a precautionary measure, carefully package the product for shipment, and insure it with the carrier. Be sure to enclose the following details with the product: your full name, return address and daytime phone number, a note describing the problem you experienced, a copy of your sales receipt or other proof of purchase to determine warranty status. C.O.D. shipments cannot be accepted.