

Mini Aria Ultrasonic Diffuser

OPERATION MANUAL



Languages

English

2

Introduction

Young Living's Mini Aria Ultrasonic Diffuser is an elegant, unique way to bring the benefits of essential oils into your home or workplace. This system combines the latest in diffuser technology with a variety of useful features. The included remote control lets you choose from a selection of soothing built-in sounds. The built-in speakers also allow you to connect your own Bluetooth device and enjoy the music of your choice.

Product Specifications

Power Supply: 24V, 0.65A
(see back of power supply)

Coverage: Approx. 430 sq. ft.

Power: 15.6W

Sound: Includes 12 minutes of preloaded sounds

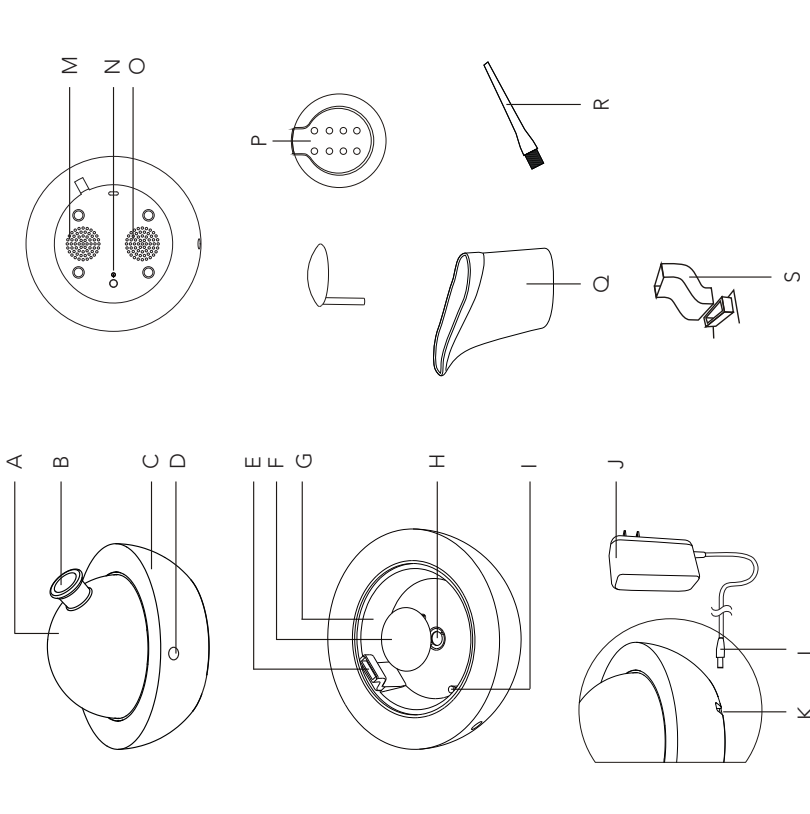
Note: This diffuser must be used with the supplied power adapter. Please keep this manual for reference.

Safety Precautions

Please read and follow these safety precautions to safely use the Young Living Mini Aria Ultrasonic Diffuser:

- Do not use for any purpose other than those described in this manual.
- Before connecting to a power outlet, make sure the intended voltage meets the product specifications indicated above.
- Do not use if the power adapter, power plug, or diffuser unit has obvious signs of damage and return the unit immediately.
- This product must be used only with the supplied power adapter to avoid damaging diffuser components.
- Do not allow the power adapter or plug to come into contact with water or other liquids.
- Do not allow water or other liquids to get inside the diffuser body.
- For long periods of unuse or storage, remove the adapter plug, empty any remaining water, and clean the diffuser unit.
- When unplugging the diffuser, grasp the power adaptor plug instead of the power adaptor cable.
- Keep out of reach of children.
- Use caution when handling the glass lid.
- For additional safety guidelines, visit YoungLiving.com/safetyguidelines.

Product Overview



- A. Glass Lid
- B. Mist Spout
- C. Wooden Base
- D. Infrared Receiver
- E. Air Outlet
- F. Splash Guard
- G. Water Reservoir
- H. Mist Plate
- I. Maximum Water Level Indicator
- J. Power Adapter
- K. Power Inlet
- L. Power Adapter Plug
- M. Air Inlet
- N. Power Button
- O. Speaker
- P. Remote Control
- Q. Water Cup
- R. Cleaning Brush
- S. Air Outlet Accessory

Note: Due to the mist output of the Mini Aria Ultrasonic Diffuser, use with caution on surfaces that are sensitive to water and oil.

Assembly Instructions

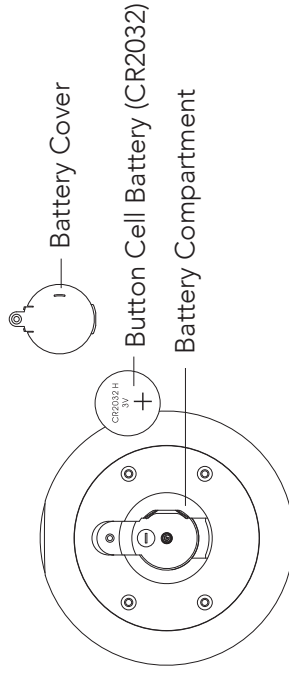
1. Open the diffuser package and make sure all parts are present (see page 3).
2. Check for any obvious signs of damage, particularly on the power adapter and power adapter plug.
3. Place the diffuser on a flat surface, out of the reach of children.
4. Connect the power adapter plug "L" to the power inlet "K".
5. Connect the power adapter "J" into an appropriate power outlet.
6. Insert the air outlet accessory "S" into the air outlet "E".
7. Insert the splash guard "F" and align the notch.

Usage Instructions

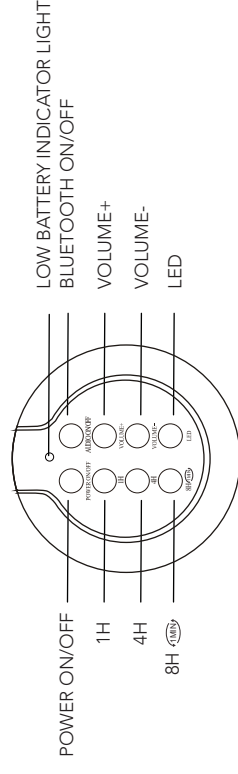
1. Use the supplied water cup to add room-temperature tap, spring, or distilled water.
2. Remove the glass lid and add water into the water reservoir until it reaches the red maximum water level indicator.
3. Add 8-10 drops of your favorite Young Living essential oils into the water reservoir.
4. Replace the glass lid.
5. Turn the diffuser on using the remote control and select the desired setting (the remote control operates up to 26 feet from the diffuser unit). Alternatively, press the Power On/Off button to turn on the diffuser.*
6. If the Bluetooth On/Off button is selected on the remote control, a selection of soothing sounds will play.

* It will shut down automatically once it is out of water or at the time selected by the remote control. The Power On/Off button can also be pressed for 2 seconds to turn off the diffuser.

Remote Control Battery Installation



Remote Control Features



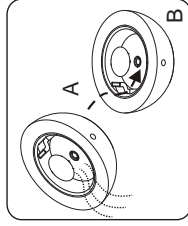
Use the included remote control to enhance your diffusing experience.

- **Power On/Off** Press the Power On/Off button once to turn on the diffuser. The mist, light, and sound will turn on simultaneously.
- **1H** Press the 1H button for one hour of continuous operation, after which the diffuser will shut off automatically.
- **4H** Press the 4H button for four hours of continuous operation, after which the diffuser will shut off automatically.
- **8H Intermittent Mode** Press the 8H button for eight hours of intermittent operation, after which the diffuser will shut off automatically. (Intermittent mode: one minute on, one minute off).
- **Bluetooth On/Off** Press one time to connect to your Bluetooth device. Press two times to turn off the Bluetooth connection. Press three times to play the built-in music.
- **Volume +** Press the Volume + button to increase sound level.
- **Volume -** Press the Volume - button to decrease sound level.
- **LED** Press one time to turn off the LED light. Press two times to turn on the LED light in warm white color. Press three times to turn off the LED light.

Note: When the remote control has a low battery, the low battery indicator will flash. Replace the battery with a fresh CR2032 button cell battery.

Cleaning and Maintenance

To drain the water in the water reservoir, tilt the diffuser as illustrated in diagram A. Use a paper towel or cloth to wipe up any residual water.



To avoid water entering the unit and damaging diffuser components, do not pour from the air outlet accessory side (see diagram B).

- Before cleaning, turn the diffuser off and unplug the power adapter plug.
- If essential oil begins to build up on the mist plate, gently wipe it off using the included cleaning brush or a cotton swab dipped in rubbing alcohol.
- Use a cotton cloth soaked with non-toxic cleanser to clean the diffuser, including the inside of the water reservoir. Remove any residual essential oil stains, rinse the above-mentioned parts with water, and then dry with a cloth.
- Clean the water reservoir and mist plate at least twice a week for best performance.
- If any water or essential oil accidentally lands on the wooden base, wipe immediately to avoid fading or discoloration.

Note: To avoid product damage, do not use any corrosive cleaner on the components mentioned above.

Young Living Diffuser Warranty

Young Living Essential Oils (YLEO), 1538 W, Sandalwood Dr., Lehi, Utah 84043, subject to the exclusions contained below, warrants its diffuser to be free from defects in materials and workmanship under normal consumer usage for a period of 12 calendar months from the date of original purchase.

This warranty does not cover:

1. Defects or damage resulting from use of the product in other than its normal and customary manner.
2. Defects or damage from misuse, accident, or neglect.
3. Defects or damage from use of natural oils other than those supplied or sold by Young Living Essential Oils or an authorized distributor.
4. Defects or damage from use of materials other than essential oils.
5. Defects or damage from improper testing, operation, maintenance, installation, adjustment, or any alteration or modification of any kind.
6. Breakage or damage caused by use of other than the specified voltage.

7. Products disassembled or repaired by anyone other than a Young Living Essential Oils-authorized agent so as to adversely affect performance or prevent adequate inspection, verification, and testing to verify any warranty claim (if there are any signs the diffuser had been opened, the warranty will be void.)

8. Products with labels removed or illegible serial numbers.
9. Marring such as scratches on any plastic surfaces and externally exposed parts resulting from normal use.
10. Damage resulting from normal wear and tear.
11. Damage resulting from the use of metal tools to clean the unit.

This limited warranty is the buyer's exclusive remedy, applies to new diffusers purchased from Young Living Essential Oils, and is non-transferable. Please retain your original purchase receipt. In the event of a warranty claim or return for repair, a copy of the purchase receipt should accompany the diffuser when shipped to YLEO.

To make a warranty claim or to purchase spare parts, please contact Young Living Member Services at 1.800.371.3515 (6 a.m.–8 p.m., MT, Monday–Friday and 7 a.m.–5 p.m., MT, Saturday). If it is determined by Member Services that the diffuser is to be shipped back to YLEO, the buyer will need to send the product back in its original box (if available) with the power adaptor, a copy of the original purchase receipt, and the YLEO Return Merchandise Authorization (RMA#) displayed clearly on the receipt, which will be provided by Member Services.

U.S. Shipping:

Young Living Essential Oils Returns/ RMA# _____
142 East 3450 North
Spanish Fork, UT 84660
For all other market addresses and contact information, visit YoungLiving.com.

NOTICE:

Please be sure to complete the YLEO return form and send back all the items listed for timely processing of your return. If YLEO has determined, based on an evaluation and inspection of the diffuser, that the defect or malfunction is covered under warranty, YLEO will send a replacement diffuser at no additional charge.

Specifications

Product: Mini Aria Ultrasonic Diffuser
Item No.: PZ-UA200
Dimensions: (Φ190 x H135mm)
Material of Diffuser Base: Maple wood
Material of Diffuser Cover: Glass
Material of Diffuser Water Reservoir: Polypropylene
Weight: 931g
Coverage Area: Approx. 430 sq. ft.
Diffusion Run Time Settings: 1 hour/4 hours/8 hours(intermittent)
LED Color: Warm white
Remote Control Range (Infrared): Approx. 26 ft. (8 m.)
Water Reservoir Capacity: 180 ± 10ml
Ultrasonic Frequency: 1.7 million waves per second
Power Input: DC 24V 15.6W
Adapter: AC Adapter 100~240V 50/60Hz
Atomized Particle Diameter: 5µm
Water Type: Room-temperature tap, spring, or distilled water
Usage Environment: Indoor

Safety and Care Instructions

Please read and follow these safety guidelines closely to ensure safe operation of the diffuser.

1. Unplug the diffuser immediately and discontinue use in the event of smoke or burning smell.
2. Use room-temperature tap, spring, or distilled water.
3. Never wrap the adapter with cloth, paper, etc. Such actions may result in damage to the diffuser or fire.
4. Never touch the adapter with wet hands, as electric shock or injury may occur.
5. Do not disassemble or attempt to repair the diffuser, this will void the warranty.
6. Never immerse the diffuser in water.
7. Unplug the adapter when refilling, cleaning, or moving the diffuser.
8. Keep the diffuser out of reach of children.
9. Do not remove or place objects in the water reservoir during operation.
10. Do not place your fingers in the water during operation. This may result in injury.
11. Do not place acidic or alkaline chemicals in the water reservoir.
12. Use only the included power adapter provided in the packaging or by Young Living.
13. Do not shake the diffuser.

14. Any damage caused by the user does not qualify for replacement by Young Living.
15. Do not use metal objects to clean the mist plate. Use only a cotton swab or cloth dipped in rubbing alcohol or a non-toxic cleanser.
16. Never use the product for purposes other than those listed in this manual. If the diffuser will not be used for an extended period or needs to be relocated, unplug the power adapter, empty the water reservoir, and wipe the diffuser clean before storage.
18. Clean the diffuser before switching to different essential oils.
19. The product is designed for using premium essential oil. Chemical fragrance, spice, or impure essential oil used may cause product damage.
20. Do not fill the water to exceed the red maximum water level indicator.
21. Do not move the product during its operation. Pull the power adapter instead of the wire to unplug.
22. Do not place the diffuser in direct sunlight or close to a refrigerator, fan, or other hot environment.
23. Place the diffuser on a flat and solid surface instead of uneven and/or unstable ones like carpets or rugs, etc.

Troubleshooting

If the diffuser fails to work properly, unplug the unit before performing the following:

- Check the water reservoir level to see if it is empty or above the red maximum water level indicator.
- Check whether the power adapter is securely plugged into the wall outlet and the power inlet of the diffuser.
- Verify that power outlet is working (try another outlet).
- Verify that the air outlet hole is open.
- Check for essential oil buildup on the mist plate. If oil buildup is present, read the cleaning instructions.
- Check that the air inlet under the diffuser is free of any obstruction or debris that may restrict air flow.

FCC ID: 2AQU4-PZUA200
IC ID: 24212- PZUA200
CAN ICES-3(B) / NMB-3(B)

This appliance can be used by children aged from 8 years and above and persons with reduced physical, sensory or mental capabilities or lack of experience and knowledge if they have been given supervision or instruction concerning use of the appliance in a safe way and understand the hazards involved. Children shall not play with the appliance. Cleaning and user maintenance shall not be made by children without supervision.

This appliance is not intended for use by persons (including children) with reduced physical, sensory or mental capabilities, or lack of experience and knowledge, unless they have been given supervision or instruction concerning use of the appliance by a person responsible for their safety. Children should be supervised to ensure that they do not play with the appliance.

FCC& IC Radiation Exposure Statement:

This equipment complies with FCC and Canada radiation exposure limits set forth for an uncontrolled environment. This equipment should be installed and operated with a minimum distance of 20cm between the radiator and your body.

This transmitter must not be co-located or operating in conjunction with any other antenna or transmitter.

Déclaration d'IC sur l'exposition aux radiations:

Cet équipement est conforme aux limites d'exposition aux radiations définies par le Canada pour des environnements non contrôlés. Cet équipement doit être installé et utilisé à une distance minimum de 20 cm entre l'antenne et votre corps.

Cet émetteur ne doit pas être installé au même endroit ni utilisé avec une autre antenne ou un autre émetteur.

Note: This equipment has been tested and found to comply with the limits for a Class B digital device, pursuant to part 15 of the FCC Rules. These limits are designed to provide reasonable protection against harmful interference in a residential installation. This equipment generates, uses and can radiate radio frequency energy and, if not installed and used in accordance with the instructions, may cause harmful interference to radio communications. However, there is no guarantee that interference will not occur in a particular installation. If this equipment does cause harmful interference to radio or television reception, which can be determined by turning the equipment off and on, the user is encouraged to try to correct the interference by one or more of the following measures:

- Reorient or relocate the receiving antenna.
- Increase the separation between the equipment and receiver.
- Connect the equipment into an outlet on a circuit different from that to which the receiver is connected.
- Consult the dealer or an experienced radio/TV technician for help.

Modification: Any changes or modifications not expressly approved by the grantee of this device could void the user's authority to operate the device.

This device contains licence-exempt transmitter(s)/receiver(s) that comply with Innovation, Science and Economic Development Canada's licence-exempt RSS(s). Operation is subject to the following two conditions:

- (1) This device may not cause interference.
- (2) This device must accept any interference, including interference that may cause undesired operation of the device.

Le présent appareil est conforme aux CNR d'Industrie Canada applicables aux appareils radio exempts de licence. Son fonctionnement est soumis aux conditions suivantes :

- (1) l'appareil ne doit pas causer d'interférence.
- (2) l'appareil doit accepter toute interférence, y compris une interférence pouvant entraîner un fonctionnement non désiré.

Manufacturer:
Puzhen Life Co.,Ltd
www.puzhen.com

Unit 1112-1116, 11/F, Delta House, 3 On Yiu Street, Shatin, HongKong

Mini Aria Ultrasonic Diffuser PZ-UA200
DC 24V 15.6W

Scan QR Code below or Visit Youngliving.com/diffusermanuals for full operation manual.



Full Operation Manual Includes:

- Safety and Care Instructions
- Cleaning and Maintenance
- Troubleshooting Tips
- Warranty Information
- Specifications

YOUNG LIVING
ESSENTIAL OILS

Lehi, UT 84043
YoungLiving.com

Designed by Young Living Essential Oils in USA
Manufactured in China
U.S. Patents Pending

