

**Wireless
Keyboard + Mouse + Pad**

Instruction Manual

Instruction Manual

here you are the Wireless Keyboard and Mouse set, please take a look below before using it.

1.Package Contents

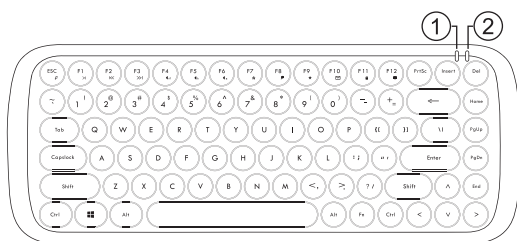
Wireless Keyboard	1PCS
Wireless Mouse.....	1PCS
USB Receiver	1PCS
Instruction Manual	1PCS

2.Product installing instructions

1. Take out the USB receiver from the rear side of the mouse and plug it into the computer's USB port.
2. Remove the battery compartment cover on the rear side of the mouse, insert 1* AA battery with correct polarity into the battery compartment of the mouse(observe plus/+ and minus/-);
When connected, the LED on bottom will be lighted up;
3. Remove the battery compartment cover on the bottom of the keyboard, insert 2*AAA battery with correct polarity into the battery compartment of the keyboard(observe plus/+ and minus/-);
When connected, the keyboard can be used properly;
4. When take it on the go or idle usage, please plug off USB Receiver from USB port and place it back to the compartment of Mouse.
5. Operation System(OS): Windows XP/7/8/10

3.Product description

Wireless keyboard



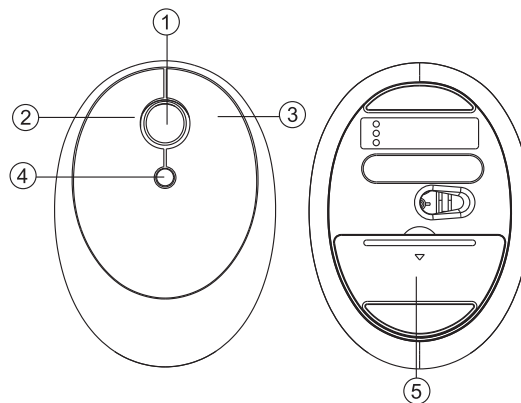
Multimedia function key

- | | | | |
|----------------|-------------|-------------------|-------------|
| Media player | Volume up | Search | My Computer |
| Play/Pause | Volume down | My Favorites | |
| Previous Track | Mute | Email | |
| Next Track | Homepage | Lock the keyboard | |

Indicator light

- ① Low battery indicator / 2.4G connection indicator LED
- ② Caps Lock indicator LED

Wireless Mouse



- ① Scroll Wheel / Middle Button
- ② Left Button
- ③ Right Button
- ④ DPI Button
- ⑤ Battery Cover(Receiver built-in)

Caution: The user is cautioned that changes or modifications not expressly approved by the party responsible for compliance could void the user's authority to operate the equipment.

This device complies with Part 15 of the FCC Rules. Operation is subject to the following two conditions: (1) this device may not cause harmful interference, and (2) this device must accept any interference received, including interference that may cause undesired operation.

NOTE: This equipment has been tested and found to comply with the limits for a Class B digital device, pursuant to Part 15 of the FCC Rules. These limits are designed to provide reasonable protection against harmful interference in a residential installation. This equipment generates, uses and can radiate radio frequency energy and, if not installed and used in accordance with the instructions, may cause harmful interference to radio communications. However, there is no guarantee that interference will not occur in a particular installation.

If this equipment does cause harmful interference to radio or television reception, which can be determined by turning the equipment off and on, the user is encouraged to try to correct the interference by one or more of the following measures:
-- Reorient or relocate the receiving antenna.
-- Increase the separation between the equipment and

receiver.
-- Connect the equipment into an outlet on a circuit different from that to which the receiver is connected.
-- Consult the dealer or an experienced radio/TV technician for help.

FCC Radiation Exposure Statement

This equipment complies with FCC radiation exposure limits set forth for an uncontrolled environment.

This transmitter must not be co-located or operating in conjunction with any other antenna or transmitter.

Receiver FCC ID: 2AQT5-BT21-U