

# NEO AIR 6

WIRELESS ALARM  
CLOCK RADIO



USER MANUAL

**FCC Caution.**

This device complies with part 15 of the FCC Rules. Operation is subject to the following two conditions: (1) This device may not cause harmful interference, and (2) this device must accept any interference received, including interference that may cause undesired operation.

Any Changes or modifications not expressly approved by the party responsible for compliance could void the user's authority to operate the equipment.

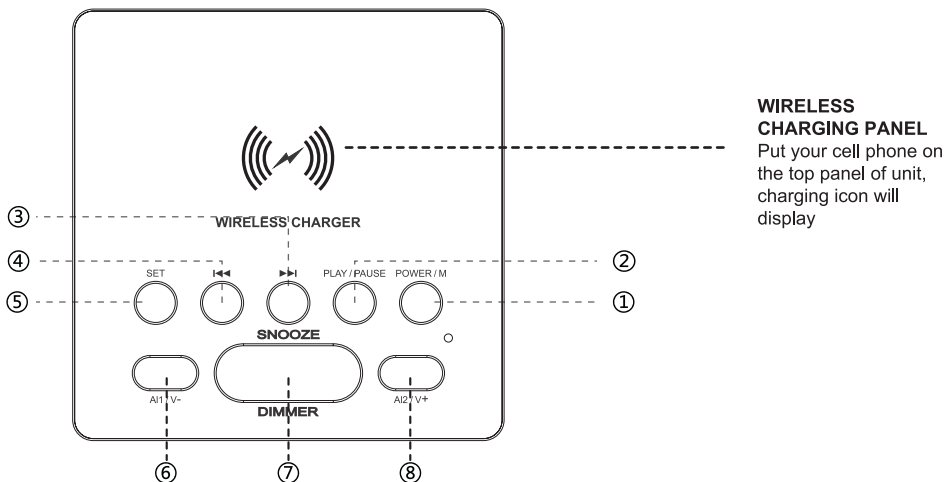
**Note:** This equipment has been tested and found to comply with the limits for a Class B digital device, pursuant to part 15 of the FCC Rules. These limits are designed to provide reasonable protection against harmful interference in a residential installation. This equipment generates uses and can radiate radio frequency energy and, if not installed and used in accordance with the instructions, may cause harmful interference to radio communications. However, there is no guarantee that interference will not occur in a particular installation. If this equipment does cause harmful interference to radio or television reception, which can be determined by turning the equipment off and on, the user is encouraged to try to correct the interference by one or more of the following measures:

- Reorient or relocate the receiving antenna.
- Increase the separation between the equipment and receiver.
- Connect the equipment into an outlet on a circuit different from that to which the receiver is connected.
- Consult the dealer or an experienced radio/TV technician for help.

**\*RF warning for Mobile device:**

This equipment complies with FCC radiation exposure limits set forth for an uncontrolled environment. This equipment should be installed and operated with minimum distance 20cm between the radiator & your body.

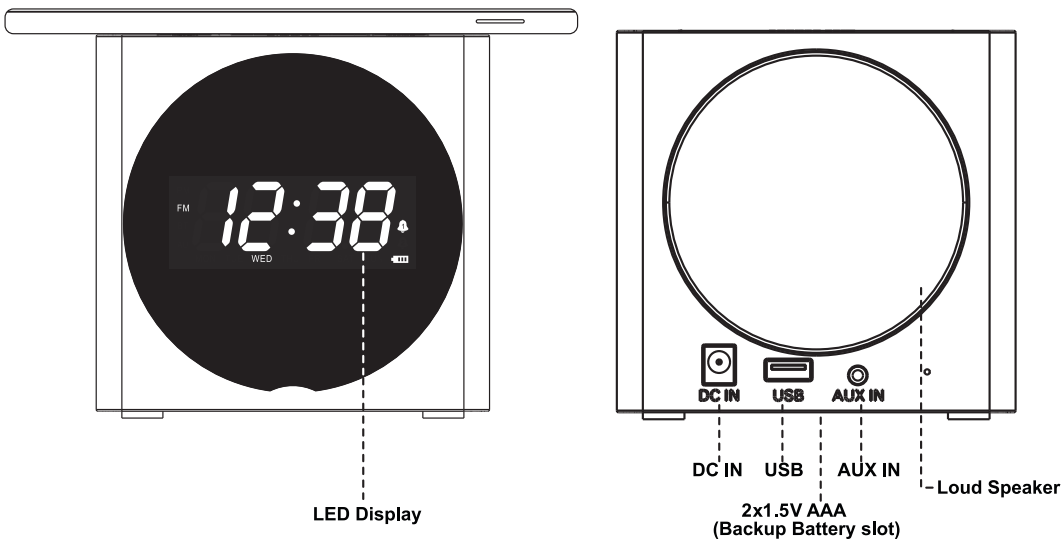
**FUNCTION BUTTONS**



**WIRELESS CHARGING PANEL**  
Put your cell phone on the top panel of unit, charging icon will display

- ① Power/M Power on/off/mode button
- ② Play/Pause Play/Pause for music under Bluetooth function
- ③ ►► Next track/FM/Bluetooth/FM radio tuning
- ④ ◀◀ Last track/FM/Bluetooth/FM radio tuning
- ⑤ SET Time adjustment / keep radio stations by hand
- ⑥ AL1/V- Press once to decrease volume, press it always to decrease volume continuously/ power off alarm1
- ⑦ SNOOZE/DIMMER Alarm pausing/Display light/mid-dim. Default is bright
- ⑧ AL2/V+ Press once to increase volume, press it always to increase volume continuously/power off alarm2

While cell phone charging on top panel of speaker, the cell phone charging icon will display on screen.



LED Display

DC IN USB AUX IN Loud Speaker  
2x1.5V AAA (Backup Battery slot)

**INSTRUCTION**

1. Clock/Dual alarm function
2. FM/Bluetooth/Line in/USB charging of 5V/1A
3. External adaptor 1.5A/5.5V
4. 0.8inch LED display
5. Back up battery for clock of 2\*AAA ( not included)

**ON/OFF/MODE**

1. Default mode is under clock mode by PM12:00 when unit is power on. Press button ② to exchange mode of 12H or 24H.
2. Power on/Mode exchanging
  - A. Press ① into FM mode
  - B. Press ① again to Bluetooth mode
  - C. Press ① continuously to line-in mode
  - D. Press ① successively to exchange function of FM/Bluetooth/Line in
  - E. Default mode is FM
  - F. During operation, there has reminder voice
3. Power off
  - A. Press ① and hold to power off and shows clock on display
  - B. During operation, there has reminder voice

**BLUETOOTH PAIRING**

1. Please switch on Bluetooth function on cell or tablet
2. Press M button to Bluetooth mode of unit, then BT was sparking on display
3. Search for NeoAir6 from cell or tablet and then starting pairing
4. Under Bluetooth mode, if no pairing Bluetooth device searching for 10minutes, unit will stop searching
5. After pairing successfully, BT indicator is lighting always, and display shows Clock
6. Press button ③④ once to cut off Bluetooth function
7. Pick up call
  - A. When call is coming in, press button ⑦ to pick up call
  - B. Press button ⑦ again to cut off call
  - C. Press button ① to refuse coming call

**MP3 PLAYING**

At back side, USB port for MP3 music playing

**FM MODE**

1. Press button ① to FM mode, then FM indicator is light on display, and there shows current frequency at display
2. Searching station automatically : press and hold button ② , unit is starting to search for stations automatically and record , station numbers from P1 to P99
3. Select stations what you want : at all recorded stations, press and hold button ③④ to next or last stations that have recorded in unit and starting playing
4. Searching station by hand : under FM mode, press button ③④ to search for station step by step.
5. Record stations by hand, under current FM frequency, press and hold button ⑤, there shows the number of stations on display, then press ③④ button to select station numbers from P1 to P20
6. Press and hold button ③④ at same time to eliminate all stations

**CLOCK/ALARM MODE**

1. At standby mode, press button ⑤ , there shows year, press button ⑤ again, shows month and date. Press ⑤ button further to show time. This action will be circulated when press button ⑤ continuously, if stop more than 5 seconds, shows to original mode
2. At standby mode, press button ⑤ to time mode, then Hour number is sparking press button ③④ to correct hour; press button ⑤ again, number of Minute is sparking, press button ③④ to adjust to correct minute; continuously press button ⑤, number of Month is sparking, press button ③④ to correct Month; same action to adjust year, date...
3. Alarm1: under clock mode, press button ⑥ to make icon of ④ is shows on LED press button ⑥ again to power off alarm1 and icon ④ was off on display. Press and hold button ⑥ to default alarm BUSS and sparking on display, press button ③④ to change alarm music to FM; press button ⑥ and button ③④ to adjust alarm time and alarm volume respectively; press button ⑥ finally to adjust alarm mode: Monday to Friday, Saturday to Sunday, Monday to Sunday, then press button ⑥ to finish setting up
4. Alarm2 : same as Alarm1 setting up, just change button ⑥ to button ⑧, other action is same as alarm1 setting up

**ALARM SNOOZE/SLEEP MODE**

1. Alarm time duration is 30minutes
2. When alarm is working, press button ⑨ to wake up snooze function, press and hold button ⑨ to power off snooze function
3. When alarm is working, press button ① to erase alarm function

**DIMMER DISPLAY**

At any mode, press button ⑦ to adjust brightness of display: bright—mid bright—dark-off; default is mid bright

For online warranty registration,  
please visit:

[www.vinnfier.com.my](http://www.vinnfier.com.my)