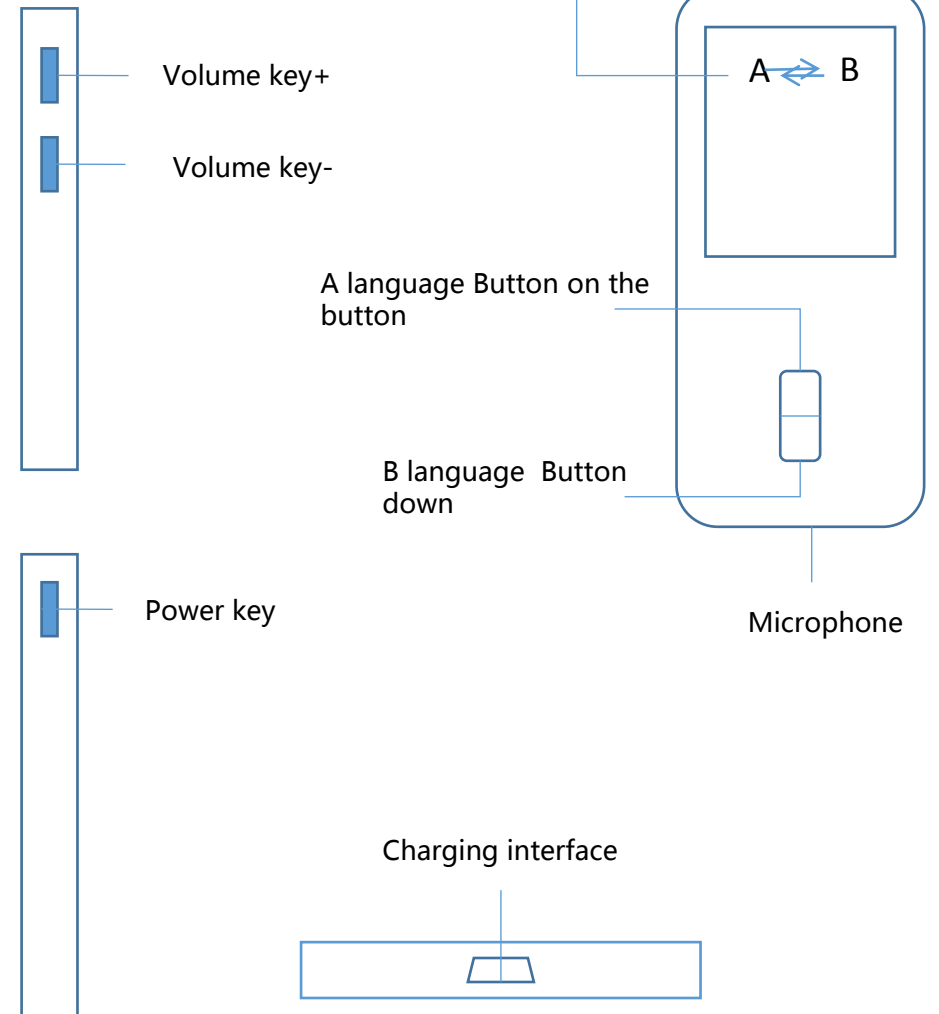




凝趣科技

Intelligent translation

### Host key description



## Guide Book

### ① switch

操作  
实图

1 Press the power button for more than 2s, the screen lights up to draw the interface, the equipment is normally turned on. Long press the Power button 2s, the screen pops Power off/ Reboot icon, select Power off key, device shutdown. Select Reboot key, device restart. Press open lock screen.

### ② Touch screen operation

操作  
实图

2 The WiFi will pop up when the boot is successful , Select open WiFi , Connect and enter the WiFi password , WiFi icon indicates successful connection , Press the return key to normal use. You can plug in Sim cards and support full Netcom

### ③ Select the language setting

操作  
实图

3. click the language in the menu column of A, and then click on the right B to select the language to be translated in the pull menu column. Long press the button below, enter A language translation as B language. long press the top button, enter B language translation into A language, click on the screen to switch the AB language.

### Precautions for use

To ensure the quality of translation and the integrity of the sentences, press the translation key and then, after 1 second, you will be asked to translate the sentence.

Please use normal speed to speak coherently, please do not stop many times during the speech, or two sentences and say that the above situation is easy to cause the translation is not allowed, please try to avoid.

Try to avoid catchphrases or local slang.

After talking, you can check what you have said through the text displayed on the screen.

When using a translator for charging, the heat of the machine is normal.

If you choose Chinese recognition, but the translation is not accurate, you can try to change another expression.

## About us

Intelligent translation is a positive initiative and innovation of NingQu technology company. It was born to eliminate the linguistic and semantic problems that arise between native speakers and non-native speakers. The vibrant modern technology and the perfect integration of human linguistic diversity make **Intelligent translation** the best translator so far.

With **Intelligent translation**, you can finally claim to use multiple languages. **Intelligent translation** supports more than 26 world languages, enabling you to communicate wherever you want. Now you can travel anywhere in the world without having to worry about communicating with the locals.

**Intelligent translation** ensures accurate translations and eliminates misunderstandings that usually occur between native speakers and non-native speakers.

### support for translation:

Mandarin English Japanese Arabic polish Danish German Russian French Finnish Korean (Canada) Dutch Czech romanian Portuguese Portuguese (Brazil) Japanese Swedish Thai Greek Spanish Hungarian Italian cantonese Chinese

Break boundaries and language barriers  
Make communication easier

## Safety warnings and instructions

### Safety warning

**Intelligent translation** is a low-power frequency set that is certified to be qualified by means of authentication. Without permission, the company, company or user shall not change the battery without authorization, and increase the power or change of the original design function.

This product is not suitable for children under 14 years of age. Please use it with your parents.

Before the signal is used, please do not affect the safety of the flight and interfere with the legal communication. When it is found that there is interference, it should be discontinued immediately until there is no interference.

Failure to comply with safety instructions may result in fire, electric shock, injury or damage to the translation machine or other property. Please read the safety instructions before using any problems or maintenance.

### Right to declare

This product in the design and production, using the easy degradation, easy recycling, the use of high utilization rate of environmental materials, techniques, and follow the electronic information products controlling harmful substances or elements national standards and industry standards, to the electronic information products pollution control measures for the administration of the environmental requirements.

### Description of harmful substances

1 It is strictly prohibited to modify, copy, distribute or disseminate part or all of the contents of this manual without the written permission of the company.

2 In any event, the company shall not be liable for any direct or indirect loss caused by any accident, data or elsewhere.

3 All pictures in this manual are for reference only. Please refer to them in kind if there is any discrepancy.

4 The operating system supports only official upgrades, such as the user who brushes the unofficial system, leading to security risks and loss of user responsibility.

Upgrade: you can check the current version of the software to check if you have the latest upgrade software, and the subsequent system upgrade is completely free.

## Product recovery

Waste products contain lithium-ion batteries. Do not remove or discard them. Their treatment, please keep the local government's request.

## Technical data

Connect network	wifi/全网通
Ac power adapter	5V/1A
battery	1300mAh
systems	Android6.0
Display screen	2.4QVGA
memory	4GB+512MB

## disclaimer

Please read the product description carefully before using:

this product is not responsible for translation results  
do not put the product placement in 55 ° to 10 ° ~ outside the temperature range of use

this product is not waterproof, do not put the product into the water

·this product is not waterproof, do not put the product into the water

XX is designed,manufactured XXX ,Trademarks are also owned by XXX  
User Guide

.©2017 Copyright xxx

# logo

## Voluntary Warranty

Product name : \_\_\_\_\_

The serial number : \_\_\_\_\_

Customer name \_\_\_\_\_

Contact number \_\_\_\_\_

Customer address \_\_\_\_\_

The content of the warranty \_\_\_\_\_

After the sale \_\_\_\_\_

Customer signature \_\_\_\_\_

## Warranty Regulations

- 1、 The warranty period is 3 months
- 2、 During the warranty period, the failure (determined by the after-sales service staff of the sole trading company) shall be repaired in accordance with the normal use of the instructions.
- 3、 Under the warranty period, the following conditions are not covered by the free warranty scope: the guarantee certificate and the valid purchase certificate cannot be provided

Failure and damage caused by misuse and self-misappropriation  
Other inescapable external factors causing failure and damage

Damage caused by water or other solution caused by improper use

Damage caused by other power supply and voltage

- 4、 For the above guarantee only, do not make any express or implied sexual guarantee (including other marketability, for the rationality of the application of some specific and implied warranty), whether in contract, civil negligence or other aspects, the company not any special, accidental, or indirect damages.

CUSTOMER CENTER

E-mail : ningqu@eningqu.com

Business hours: 8:00-22:00

## FCC Statement

This equipment has been tested and found to comply with the limits for a Class B digital device, pursuant to part 15 of the FCC rules. These limits are designed to provide reasonable protection against harmful interference in a residential installation.

This equipment generates, uses and can radiate radio frequency energy and, if not installed and used in accordance with the instructions, may cause harmful interference to radio communications. However, there is no guarantee that interference will not occur in a particular installation. If this equipment does cause harmful interference to radio or television reception, which can be determined by turning the equipment off and on, the user is encouraged to try to correct the interference by one or more of the following measures:

- Reorient or relocate the receiving antenna.
- Increase the separation between the equipment and receiver.
- Connect the equipment into an outlet on a circuit different from that to which the receiver is connected.
- Consult the dealer or an experienced radio/TV technician for help.

To assure continued compliance, any changes or modifications not expressly approved by the party.

Responsible for compliance could void the user's authority to operate this equipment. (Example- use only shielded interface cables when connecting to computer or peripheral devices).

This device complies with part 15 of the FCC Rules. Operation is subject to the condition that this device does not cause harmful interference.

The SAR limit adopted by USA and Canada is 1.6 watts/kilogram (W/kg) averaged over one gram of tissue. The highest SAR value reported to the Federal Communications Commission (FCC) and the Industry Canada (IC) for this device type when it is properly worn on the body is **1.238 W/kg**.

The device complies with the RF specifications when the device is used near at a distance of 5 mm from your body. Ensure that the device accessories such as a device case and a device holster are not composed of metal components. Keep your device 5 mm away from your body to meet the requirement earlier mentioned.

This device was tested for typical body-worn operations. To comply with RF exposure requirements, a minimum separation distance of **5 mm** must be maintained between the user's body and the handset, including the antenna. Thirdparty belt-clips, holsters, and similar accessories used by this device should not contain any metallic components.

Body-worn accessories that do not meet these requirements may not comply with RF exposure requirements and should be avoided. Use only the supplied or an approved antenna.