

FCC 47 CFR PART 15 SUBPART C
CERTIFICATION TEST REPORT for BT(DTS)

For

ANC Bluetooth Headphone

MODEL No.: WEARone

FCC ID: 2AQT3-WEARONE

Trade Mark: nomads

REPORT NO: ES180821037W02

ISSUE DATE: August 28, 2018

Prepared for

Nomads Audio ApS

Balticagade 19, 1st floor,8000 Aarhus C,Denmark

Prepared by

EMTEK(SHENZHEN) CO., LTD.

Bldg 69, Majialong Industry Zone, Nanshan District, Shenzhen,
Guangdong, China

TEL: 86-755-26954280

FAX: 86-755-26954282

Table of Contents

| | | |
|----------|--|-----------|
| 1 | TEST RESULT CERTIFICATION | 3 |
| 2 | EUT TECHNICAL DESCRIPTION | 4 |
| 3 | SUMMARY OF TEST RESULT | 5 |
| 4 | TEST METHODOLOGY | 6 |
| | 4.1 GENERAL DESCRIPTION OF APPLIED STANDARDS | 6 |
| | 4.2 MEASUREMENT EQUIPMENT USED | 6 |
| | 4.3 DESCRIPTION OF TEST MODES | 7 |
| 5 | FACILITIES AND ACCREDITATIONS | 8 |
| | 5.1 FACILITIES | 8 |
| | 5.2 LABORATORY ACCREDITATIONS AND LISTINGS | 8 |
| 6 | TEST SYSTEM UNCERTAINTY | 9 |
| 7 | SETUP OF EQUIPMENT UNDER TEST | 10 |
| | 7.1 RADIO FREQUENCY TEST SETUP 1 | 10 |
| | 7.2 RADIO FREQUENCY TEST SETUP 2 | 10 |
| | 7.3 CONDUCTED EMISSION TEST SETUP | 11 |
| | 7.4 SUPPORT EQUIPMENT | 12 |
| 8 | TEST REQUIREMENTS | 13 |
| | 8.1 DTS 6DB BANDWIDTH | 13 |
| | 8.2 MAXIMUM PEAK CONDUCTED OUTPUT POWER | 16 |
| | 8.3 MAXIMUM POWER SPECTRAL DENSITY | 19 |
| | 8.4 UNWANTED EMISSIONS IN NON-RESTRICTED FREQUENCY BANDS | 22 |
| | 8.5 RADIATED SPURIOUS EMISSION | 27 |
| | 8.6 CONDUCTED EMISSIONS TEST | 39 |
| | 8.7 ANTENNA APPLICATION | 40 |

1 TEST RESULT CERTIFICATION

Applicant : Nomads Audio ApS
 Address : Balticgade 19, 1st floor,8000 Aarhus C,Denmark
 Manufacturer : Shenzhen XSOUND Innovation Technologies Co.,Ltd
 Address : Floor 6, Building C, Junxing Industrial Park B, Haoye Rd., Heping Country, Fuyong, Bao'an, Shenzhen, China 518103
 Trade Mark : nomads
 EUT : ANC Bluetooth Headphone
 Model No. : WEARone

Measurement Procedure Used:

| APPLICABLE STANDARDS | |
|--|-------------|
| STANDARD | TEST RESULT |
| FCC 47 CFR Part 2 , Subpart J FCC 47 CFR Part 15, Subpart C | PASS |

The above equipment was tested by EMTEK(SHENZHEN) CO., LTD. The test data, data evaluation, test procedures, and equipment configurations shown in this report were made in accordance with the procedures given in ANSI C63.10 (2013) and the energy emitted by the sample EUT tested as described in this report is in compliance with the requirements of FCC Rules Part 2 and Part 15.247

The test results of this report relate only to the tested sample identified in this report

Date of Test : August 23, 2018 to August 27, 2018

Prepared by : *Sewen Guo*
Sewen Guo /Editor

Reviewer : *Joe Xia*
Joe Xia/Editor

Approve & Authorized Signer : *[Signature]*
Lisa Wang/Manager



2 EUT TECHNICAL DESCRIPTION

| | |
|-----------------------------------|---|
| Product | ANC Bluetooth Headphone |
| Model Number | WEARone |
| Device Type | Bluetooth V4.1 |
| Data Rate : | 1Mbps for GFSK modulation |
| Modulation: | Bluetooth DTS: GFSK |
| Operating Frequency Range: | 2402-2480MHz |
| Number of Channels: | 40 Channels for Bluetooth DTS; |
| Transmit Power Max: | 3.113 dBm |
| Antenna Type: | PCB Antenna |
| Antenna Gain: | 0 dBi |
| Power supply | <input checked="" type="checkbox"/> DC 5V from USB port or DC3.7V from internal battery |
| | <input type="checkbox"/> Adapter:AC120V/60Hz |
| Battery | DC 3.7V, 450mAh |
| Temperature Range: | 0°C ~ +40°C |

Note: for more details, please refer to the User's manual of the EUT.

3 SUMMARY OF TEST RESULT

| FCC Part Clause | Test Parameter | Verdict | Remark |
|---------------------|---|---------|--------|
| 15.247(a)(2) | DTS (6dB) Bandwidth | PASS | |
| 15.247(b)(3) | Maximum Peak Conducted Output Power | PASS | |
| 15.247(e) | Maximum Power Spectral Density Level | PASS | |
| 15.247(d) | Unwanted Emission Into Non-Restricted Frequency Bands | PASS | |
| 15.247(d) 15.209 | Unwanted Emission Into Restricted Frequency Bands (conducted) | PASS | |
| 15.247(d) 15.209 | Radiated Spurious Emission | PASS | |
| 15.207 | Conducted Emission Test | N/A | |
| 15.247(b) | Antenna Application | PASS | |
| | NOTE1: N/A (Not Applicable) NOTE2: According to FCC OET KDB 558074, the report use radiated measurements in the restricted frequency bands. In addition, the radiated test is also performed to ensure the emissions emanating from the device cabinet also comply with the applicable limits. | | |

RELATED SUBMITTAL(S) / GRANT(S):

This submittal(s) (test report) is intended for FCC ID: 2AQT3-WEARONE filing to comply with Section 15.247 of the FCC Part 15, Subpart C Rules.

4 TEST METHODOLOGY

4.1 GENERAL DESCRIPTION OF APPLIED STANDARDS

According to its specifications, the EUT must comply with the requirements of the following standards:

FCC 47 CFR Part 2, Subpart J

FCC 47 CFR Part 15, Subpart C

FCC KDB 558074 D01 DTS Meas Guidance v05

4.2 MEASUREMENT EQUIPMENT USED

4.2.1 Conducted Emission Test Equipment

| EQUIPMENT TYPE | MFR | MODEL NUMBER | SERIAL NUMBER | LAST CAL. | DUE CAL. |
|--------------------|-----------------|--------------|---------------|------------|------------|
| Test Receiver | Rohde & Schwarz | ESCS30 | 828985/018 | 05/16/2018 | 05/15/2019 |
| L.I.S.N. | Schwarzbeck | NNLK8129 | 8129203 | 05/16/2018 | 05/15/2019 |
| 50Ω Coaxial Switch | Anritsu | MP59B | M20531 | 05/16/2018 | 05/15/2019 |
| Pulse Limiter | Rohde & Schwarz | ESH3-Z2 | 100006 | 05/16/2018 | 05/15/2019 |
| Voltage Probe | Rohde & Schwarz | TK9416 | N/A | 05/16/2018 | 05/15/2019 |
| I.S.N | Rohde & Schwarz | ENY22 | 1109.9508.02 | 05/16/2018 | 05/15/2019 |

4.2.2 Radiated Emission Test Equipment

| EQUIPMENT TYPE | MFR | MODEL NUMBER | SERIAL NUMBER | LAST CAL. | DUE CAL. |
|-------------------|-----------------|--------------|---------------|------------|------------|
| EMI Test Receiver | Rohde & Schwarz | ESU | 1302.6005.26 | 05/16/2018 | 05/15/2019 |
| Pre-Amplifier | HP | 8447D | 2944A07999 | 05/16/2018 | 05/15/2019 |
| Bilog Antenna | Schwarzbeck | VULB9163 | 142 | 05/16/2018 | 05/15/2019 |
| Loop Antenna | ARA | PLA-1030/B | 1029 | 05/16/2018 | 05/15/2019 |
| Horn Antenna | Schwarzbeck | BBHA 9170 | BBHA9170399 | 05/16/2018 | 05/15/2019 |
| Horn Antenna | Schwarzbeck | BBHA 9120 | D143 | 05/16/2018 | 05/15/2019 |
| Cable | Schwarzbeck | AK9513 | ACRX1 | 05/16/2018 | 05/15/2019 |
| Cable | Rosenberger | N/A | FP2RX2 | 05/16/2018 | 05/15/2019 |
| Cable | Schwarzbeck | AK9513 | CRPX1 | 05/16/2018 | 05/15/2019 |
| Cable | Schwarzbeck | AK9513 | CRRX2 | 05/16/2018 | 05/15/2019 |

4.2.3 Radio Frequency Test Equipment

| EQUIPMENT TYPE | MFR | MODEL NUMBER | SERIAL NUMBER | LAST CAL. | DUE CAL. |
|-------------------|-----------------|--------------|---------------|------------|------------|
| Spectrum Analyzer | Agilent | E4407B | 88156318 | 05/16/2018 | 05/15/2019 |
| Signal Analyzer | Agilent | N9010A | My53470879 | 05/16/2018 | 05/15/2019 |
| Power meter | Anritsu | ML2495A | 0824006 | 05/16/2018 | 05/15/2019 |
| Power sensor | Anritsu | MA2411B | 0738172 | 05/16/2018 | 05/15/2019 |
| Spectrum Analyzer | Rohde & Schwarz | FSV40 | 100967 | 05/16/2018 | 05/15/2019 |

Remark: Each piece of equipment is scheduled for calibration once a year.

4.3 DESCRIPTION OF TEST MODES

The EUT has been tested under its typical operating condition.

The EUT configuration for testing is installed on RF field strength measurement to meet the Commissions requirement and operating in a manner which intends to maximize its emission characteristics in a continuous normal application.

The Transmitter was operated in the normal operating mode. The TX frequency was fixed which was for the purpose of the measurements.

Test of channel included the lowest and middle and highest frequency to perform the test, then record on this report.

Those data rates (Bluetooth V4.1 DTS :1Mbps) were used for all test.

Pre-defined engineering program for regulatory testing used to control the EUT for staying in continuous transmitting and receiving mode is programmed.

Frequency and Channel list for Bluetooth V4.1 DTS:

| Channel | Frequency (MHz) | Channel | Frequency (MHz) | Channel | Frequency (MHz) |
|---------|-----------------|---------|-----------------|---------|-----------------|
| 0 | 2402 | 19 | 2440 | ... | ... |
| 1 | 2404 | 20 | 2442 | 37 | 2476 |
| 2 | 2406 | 21 | 2444 | 38 | 2478 |
| ... | ... | ... | ... | 39 | 2480 |

Note: $f_c = 2402\text{MHz} + k \times 1\text{MHz}$ $k = 1$ to 39

Test Frequency and channel for Bluetooth V4.1 DTS:

| Lowest Frequency | | Middle Frequency | | Highest Frequency | |
|------------------|-----------------|------------------|-----------------|-------------------|-----------------|
| Channel | Frequency (MHz) | Channel | Frequency (MHz) | Channel | Frequency (MHz) |
| 0 | 2402 | 19 | 2440 | 39 | 2480 |

5 FACILITIES AND ACCREDITATIONS

5.1 FACILITIES

All measurement facilities used to collect the measurement data are located at

Bldg 69, Majialong Industry Zone District, Nanshan District, Shenzhen, China

The sites are constructed in conformance with the requirements of ANSI C63.7, ANSI C63.10 and CISPR Publication 22.

5.2 LABORATORY ACCREDITATIONS AND LISTINGS

Site Description

EMC Lab.

: Accredited by CNAS,2016.10.24

The certificate is valid until 2022.10.28

The Laboratory has been assessed and proved to be in compliance with CNAS-CL01: 2006(identical to ISO/IEC17025: 2005)

The Certificate Registration Number is L2291

Accredited by TUV Rheinland Guangzhou 2015.08.04

The Laboratory has been assessed according to the requirements ISO/IEC 17025:1999

Accredited by FCC, August 06, 2018

Designation Number: CN1204

Test Firm Registration Number: 882943

Accredited by A2LA, July 31, 2017

The Certificate Registration Number is 4321.01.

Accredited by Industry Canada, November 24, 2015

The Certificate Registration Number is 4480A

6 TEST SYSTEM UNCERTAINTY

The following measurement uncertainty levels have been estimated for tests performed on the apparatus:

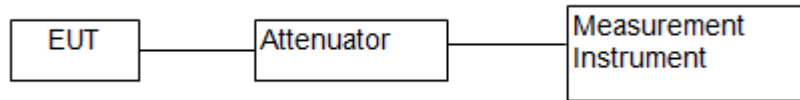
| Test Parameter | Measurement Uncertainty |
|---|-------------------------|
| RF Output Power | ±1.0% |
| Power Spectral Density | ±0.9% |
| Duty Cycle and Tx-Sequence and Tx-Gap | ±1.3% |
| Medium Utilisation Factor | ±1.5% |
| Occupied Channel Bandwidth | ±2.3% |
| Transmitter Unwanted Emission in the Out-of Band | ±1.2% |
| Transmitter Unwanted Emissions in the Spurious Domain | ±2.7% |
| Receiver Spurious Emissions | ±2.7% |
| Temperature | ±3.2% |
| Humidity | ±2.5% |

Measurement Uncertainty for a level of Confidence of 95%

7 SETUP OF EQUIPMENT UNDER TEST

7.1 RADIO FREQUENCY TEST SETUP 1

The Bluetooth V4.1 DTS component's antenna ports(s) of the EUT are connected to the measurement instrument per an appropriate attenuator. The EUT is controlled by PC/software to emit the specified signals for the purpose of measurements.



7.2 RADIO FREQUENCY TEST SETUP 2

The test site semi-anechoic chamber has met the requirement of NSA tolerance 4 dB according to the standards: ANSI C63.10. The test distance is 3m. The setup is according to the requirements in Section 13.1.4.1 of ANSI C63.10-2013 and CAN/CSA-CEI/IEC CISPR 22.

Below 30MHz:

The EUT is placed on a turntable 0.8 meters above the ground in the chamber, 3 meter away from the antenna (loop antenna). The Antenna should be positioned with its plane vertical at the specified distance from the EUT and rotated about its vertical axis for maximum response at each azimuth about the EUT. The center of the loop shall be 1 m above the ground. For certain applications, the loop antenna plane may also need to be positioned horizontally at the specified distance from the EUT.

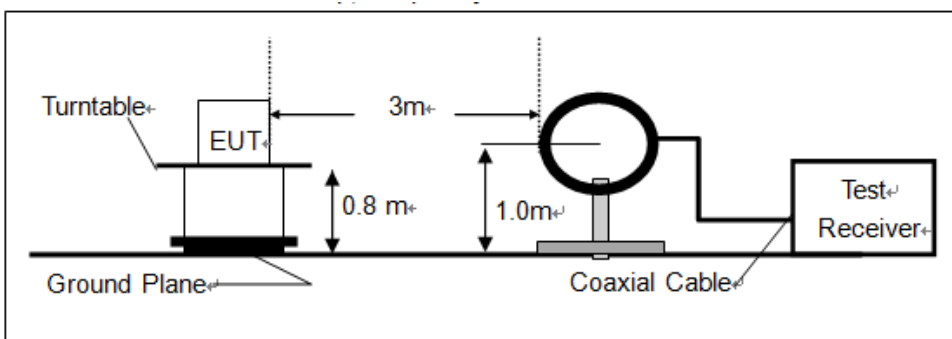
30MHz-1GHz:

The EUT is placed on a turntable 0.8 meters above the ground in the chamber, 3 meter away from the antenna. The maximal emission value is acquired by adjusting the antenna height, polarisation and turntable azimuth. Normally, the height range of antenna is 1 m to 4 m, the azimuth range of turntable is 0° to 360°, and the receive antenna has two polarizations Vertical (V) and Horizontal (H).

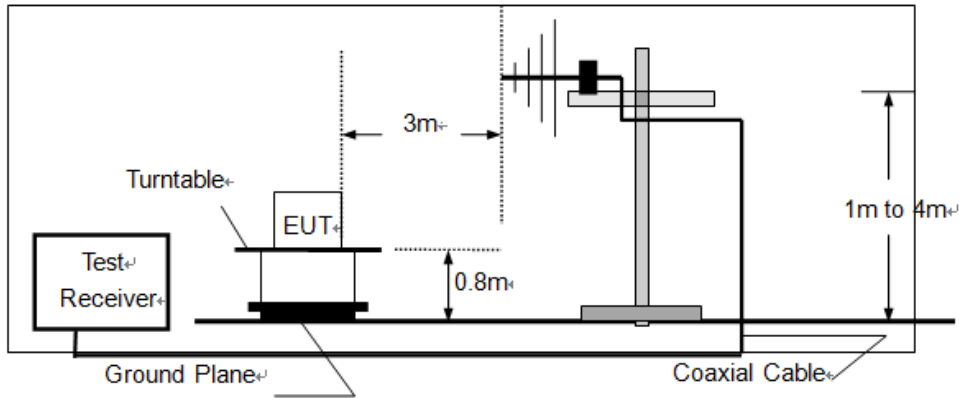
Above 1GHz:

The EUT is placed on a turntable 1.5 meters above the ground in the chamber, 3 meter away from the antenna. The maximal emission value is acquired by adjusting the antenna height, polarisation and turntable azimuth. Normally, the height range of antenna is 1 m to 4 m, the azimuth range of turntable is 0° to 360°, and the receive antenna has two polarizations Vertical (V) and Horizontal (H).

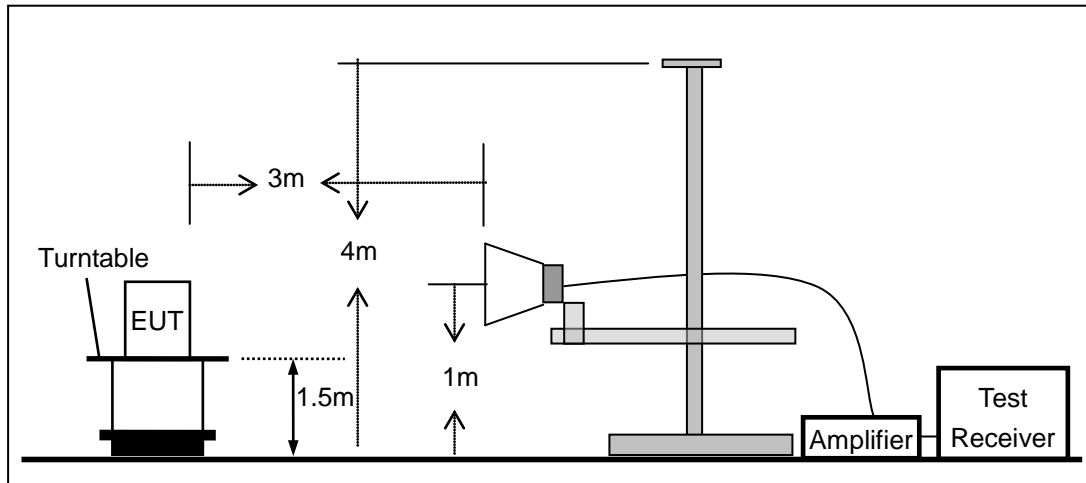
(a) Radiated Emission Test Set-Up, Frequency Below 30MHz



(b) Radiated Emission Test Set-Up, Frequency Below 1000MHz



(c) Radiated Emission Test Set-Up, Frequency above 1000MHz

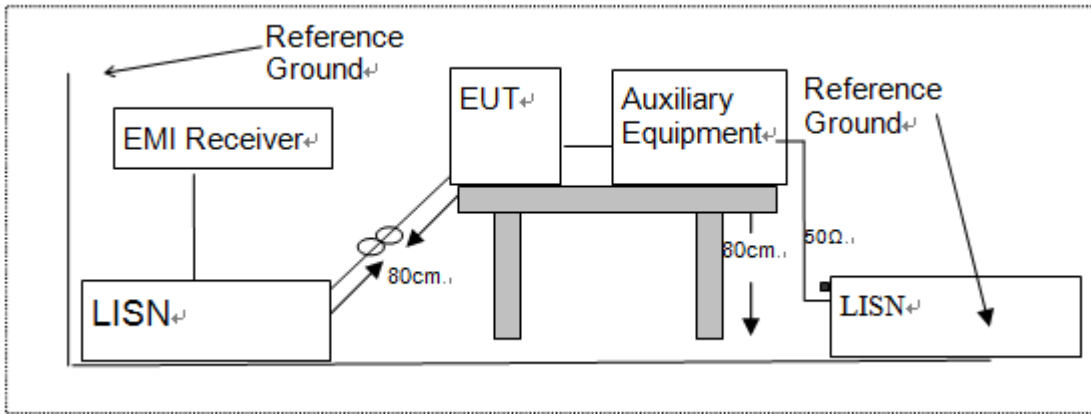


7.3 CONDUCTED EMISSION TEST SETUP

The mains cable of the EUT (maybe per AC/DC Adapter) must be connected to LISN. The LISN shall be placed 0.8 m from the boundary of EUT and bonded to a ground reference plane for LISN mounted on top of the ground reference plane. This distance is between the closest points of the LISN and the EUT. All other units of the EUT and associated equipment shall be at least 0.8m from the LISN.

Ground connections, where required for safety purposes, shall be connected to the reference ground point of the LISN and, where not otherwise provided or specified by the manufacturer, shall be of same length as the mains cable and run parallel to the mains connection at a separation distance of not more than 0.1 m.

According to the requirements in Section 13.1.4.1 of ANSI C63.10-2013 Conducted emissions from the EUT measured in the frequency range between 0.15 MHz and 30 MHz using CISPR Quasi-Peak and average detector mode.



7.4 SUPPORT EQUIPMENT

| EUT Cable List and Details | | | |
|----------------------------|------------|---------------------|------------------------|
| Cable Description | Length (m) | Shielded/Unshielded | With / Without Ferrite |
| / | / | / | / |

| Auxiliary Cable List and Details | | | |
|----------------------------------|------------|---------------------|------------------------|
| Cable Description | Length (m) | Shielded/Unshielded | With / Without Ferrite |
| USB cable | 0.5 | Unshielded | Without Ferrite |

| Auxiliary Equipment List and Details | | | |
|--------------------------------------|--------------|------------------|---------------|
| Description | Manufacturer | Model | Serial Number |
| Adapter | XINGHEYUAN | XHY050200UECH | / |
| iPhone 5C | Apple | A1526 CE, FCC ID | / |

Notes:

1. All the equipment/cables were placed in the worst-case configuration to maximize the emission during the test.
2. Grounding was established in accordance with the manufacturer's requirements and conditions for the intended use.

8 TEST REQUIREMENTS

8.1 DTS 6DB BANDWIDTH

8.1.1 Applicable Standard

According to FCC Part 15.247(a)(2) and KDB 558074 DTS 01 Meas. Guidance v05

8.1.2 Conformance Limit

The minimum -6 dB bandwidth shall be at least 500 kHz.

8.1.3 Test Configuration

Test according to clause 7.1 radio frequency test setup 1

8.1.4 Test Procedure

The EUT was operating in Bluetooth V4.1 DTS mode and controlled its channel. Printed out the test result from the spectrum by hard copy function.

The RF output of EUT was connected to the spectrum analyzer by RF cable and attenuator. The path loss was compensated to the results for each measurement.

Set to the maximum power setting and enable the EUT transmit continuously

Set RBW = 100 kHz.

Set the video bandwidth (VBW) =300 kHz.

Set Span=2 times OBW

Set Detector = Peak.

Set Trace mode = max hold.

Set Sweep = auto couple.

Allow the trace to stabilize.

Measure the maximum width of the emission that is constrained by the frequencies associated with the two outermost amplitude points (upper and lower frequencies) that are attenuated by 6 dB relative to the maximum level measured in the fundamental emission.

Measure and record the results in the test report.

Test Results

| | |
|--------------------|-----------|
| Temperature: | 26° C |
| Relative Humidity: | 54% |
| ATM Pressure: | 1011 mbar |

| Operation Mode | Channel Number | Channel Frequency (MHz) | Measurement Bandwidth (kHz) | Limit (kHz) | Verdict |
|--------------------|----------------|-------------------------|-----------------------------|-------------|---------|
| Bluetooth V4.1 DTS | 0 | 2402 | 700.2 | >500 | PASS |
| | 19 | 2440 | 700.9 | >500 | PASS |
| | 39 | 2480 | 698.8 | >500 | PASS |

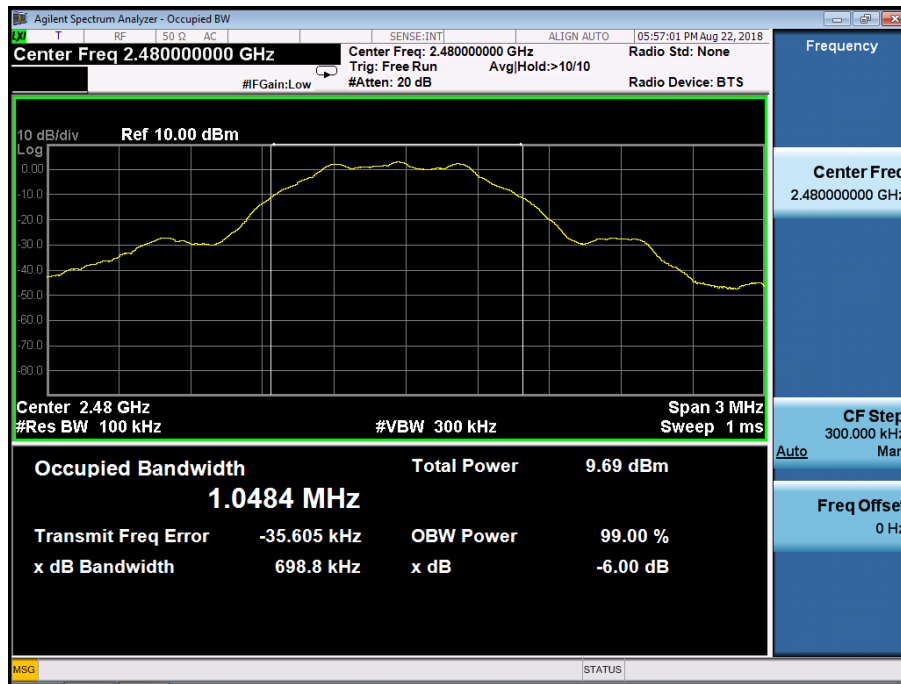
Test Model DTS (6dB) Bandwidth
Bluetooth V4.1DTS
Channel 0: 2402MHz



Test Model DTS (6dB) Bandwidth
Bluetooth V4.1DTS
Channel 19: 2440MHz



Test Model DTS (6dB) Bandwidth
Bluetooth V4.1DTS
Channel 39: 2480MHz



8.2 MAXIMUM PEAK CONDUCTED OUTPUT POWER

8.2.1 Applicable Standard

According to FCC Part 15.247(b)(3) and KDB 558074 DTS 01 Meas. Guidance v05

8.2.2 Conformance Limit

The maximum peak conducted output power of the intentional radiator for systems using digital modulation in the 2400 - 2483.5 MHz bands shall not exceed: 1 Watt (30dBm).

8.2.3 Test Configuration

Test according to clause 7.1 radio frequency test setup 1

8.2.4 Test Procedure

■ According to FCC Part 15.247(b)(3)

As an alternative to a peak power measurement, compliance with the one Watt limit can be based on a measurement of the maximum conducted output power. For smart system, Maximum Conducted Output Power is defined as the total transmit power delivered to all antennas and antenna elements averaged across all symbols in the signaling alphabet when the transmitter is operating at its maximum power control level. Power must be summed across all antennas and antenna elements. If multiple modes of operation are possible (e.g., alternative modulation methods), the maximum conducted output power is the highest total transmit power occurring in any mode.

Set the RBW \geq DTS bandwidth (about 1MHz).

Set VBW \approx 3*RBW (about 3MHz)

Set the span \geq 3*RBW

Set Sweep time = auto couple.

Set Detector = peak.

Set Trace mode = max hold.

Allow trace to fully stabilize. Use peak marker function to determine the peak amplitude level.

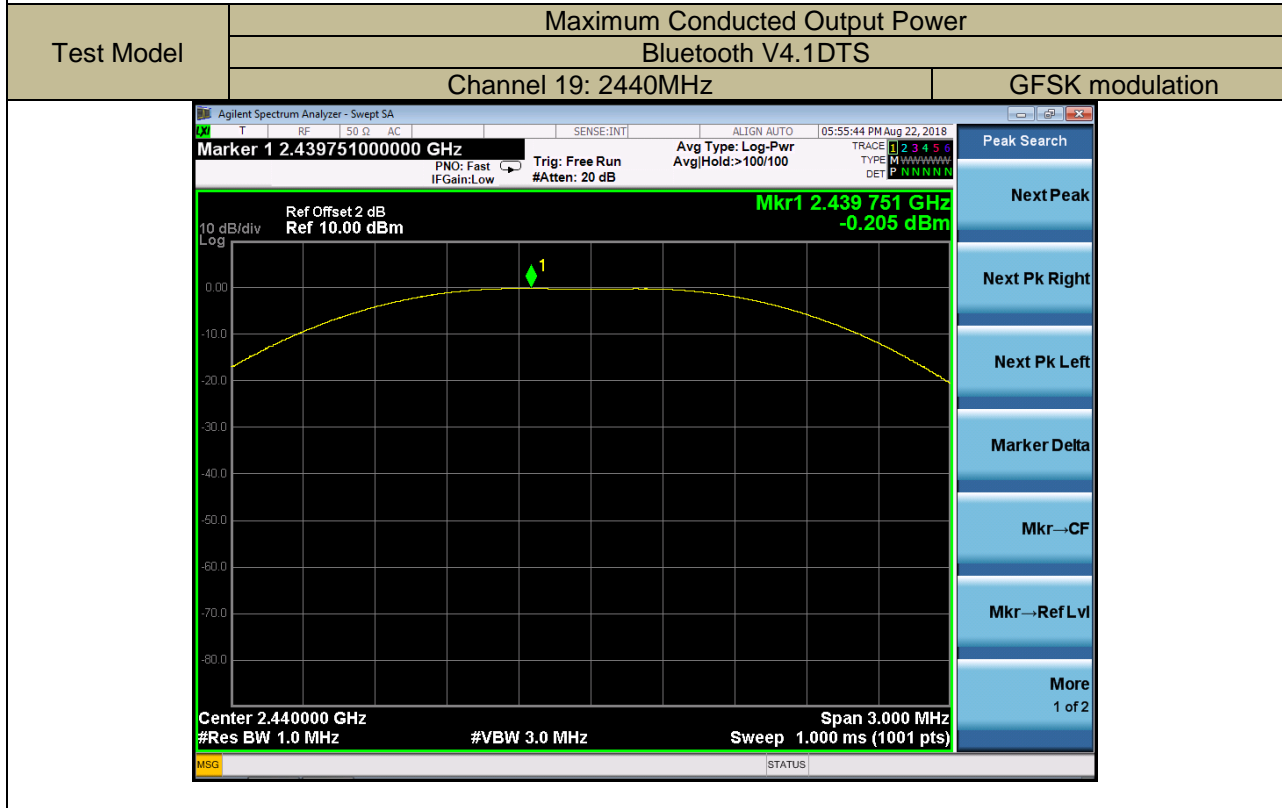
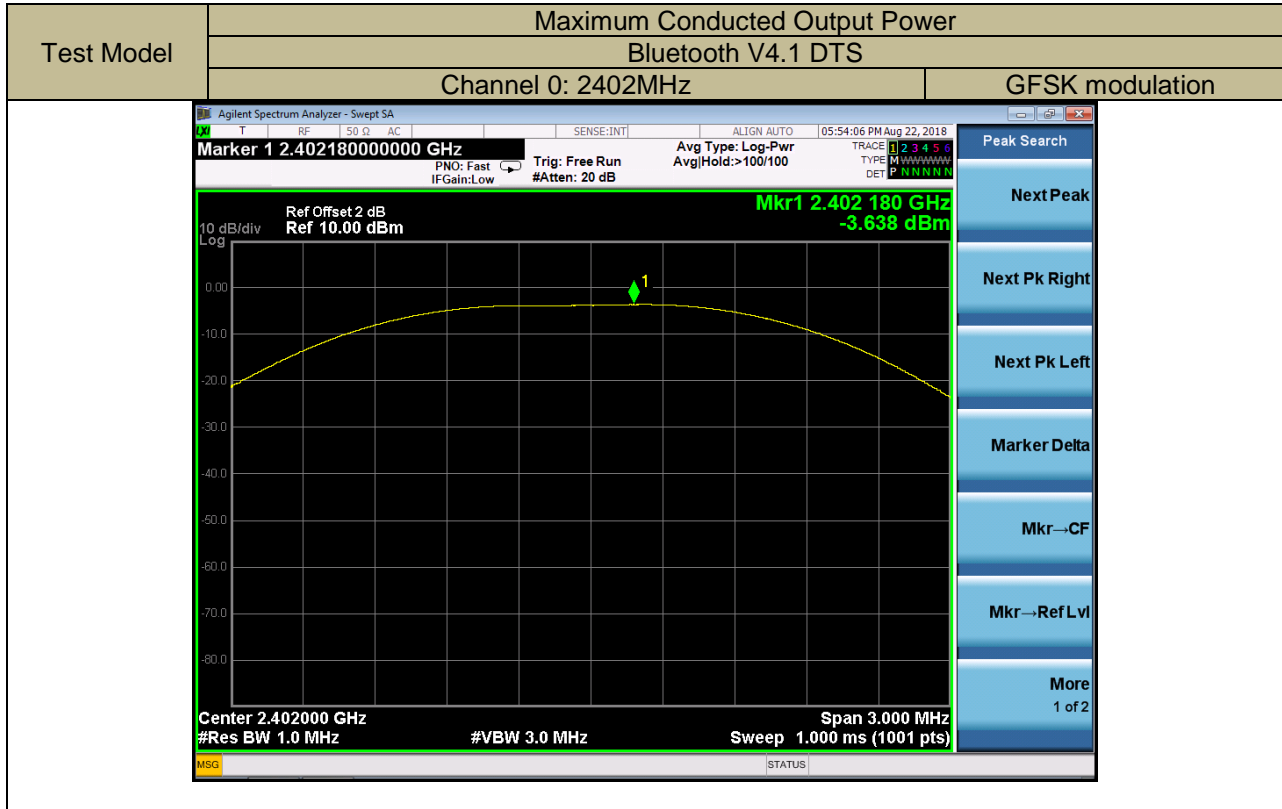
■ According to FCC Part 15.247(b)(4):

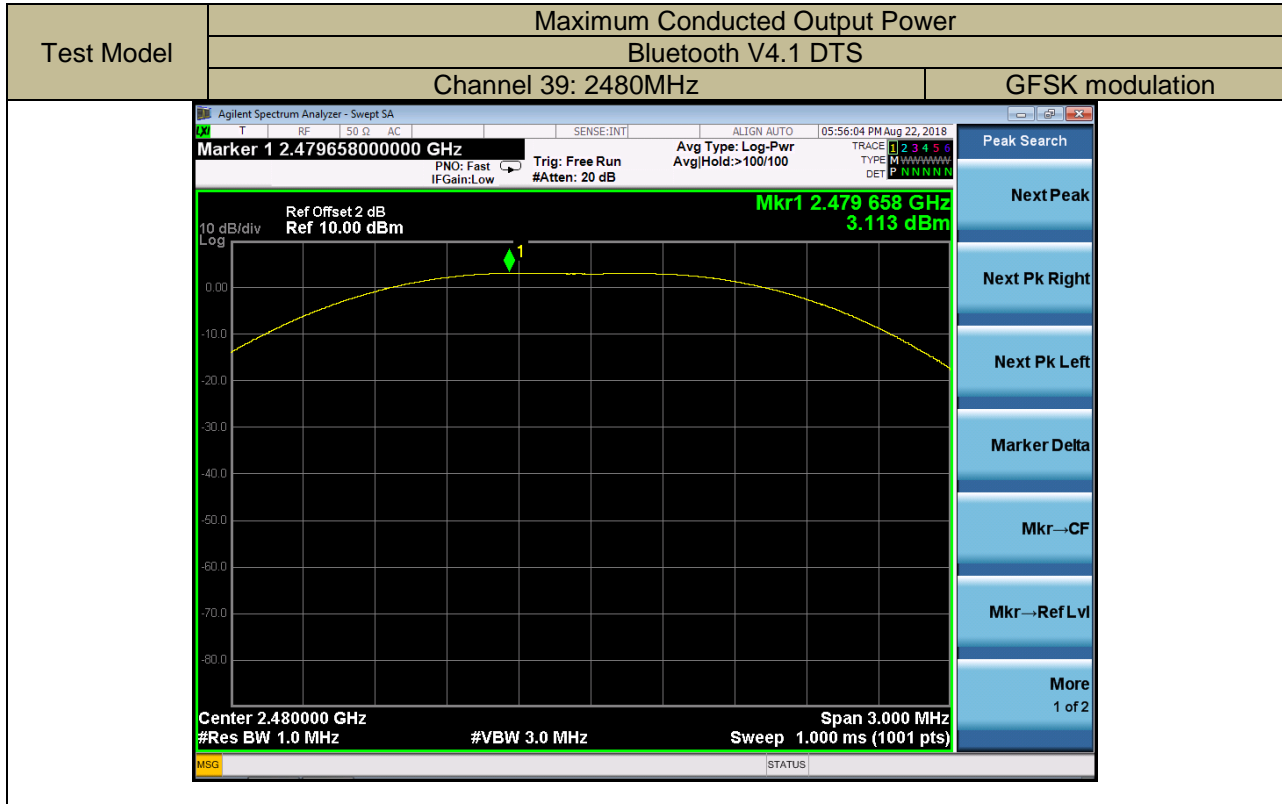
Conducted output power limit specified in paragraph (b) of this section is based on the use of antennas with directional gains that do not exceed 6 dBi. If transmitting antennas of directional gain greater than 6 dBi are used, the conducted output power from the intentional radiator shall be reduced below the stated values in paragraphs (b)(3) of this section, as appropriate, by the amount in dB that the directional gain of the antenna exceeds 6 dBi.

Test Results

| | |
|--------------------|-----------|
| Temperature: | 26° C |
| Relative Humidity: | 54% |
| ATM Pressure: | 1011 mbar |

| Operation Mode | Channel Number | Channel Frequency (MHz) | Measurement Level (dBm) | Limit (dBm) | Verdict |
|-------------------|----------------|-------------------------|-------------------------|-------------|---------|
| Bluetooth V4.1DTS | 0 | 2402 | -3.638 | 30 | PASS |
| | 19 | 2440 | -0.205 | 30 | PASS |
| | 39 | 2480 | 3.113 | 30 | PASS |





8.3 MAXIMUM POWER SPECTRAL DENSITY

8.3.1 Applicable Standard

According to FCC Part 15.247(e) and KDB 558074 DTS 01 Meas. Guidance v05

8.3.2 Conformance Limit

The transmitter power spectral density conducted from the transmitter to the antenna shall not be greater than 8 dBm in any 3 kHz band during any time interval of continuous transmission.

8.3.3 Test Configuration

Test according to clause 7.1 radio frequency test setup 1

8.3.4 Test Procedure

This procedure shall be used if maximum peak conducted output power was used to demonstrate compliance

The transmitter output (antenna port) was connected to the spectrum analyzer

Set analyzer center frequency to DTS channel center frequency.

Set the span to 1.5 times the DTS bandwidth.

Set the RBW to: 3 kHz

Set the VBW to: 10 kHz.

Set Detector = peak.

Set Sweep time = auto couple.

Set Trace mode = max hold.

Allow trace to fully stabilize.

Use the peak marker function to determine the maximum amplitude level within the RBW.

8.3.5 Test Results

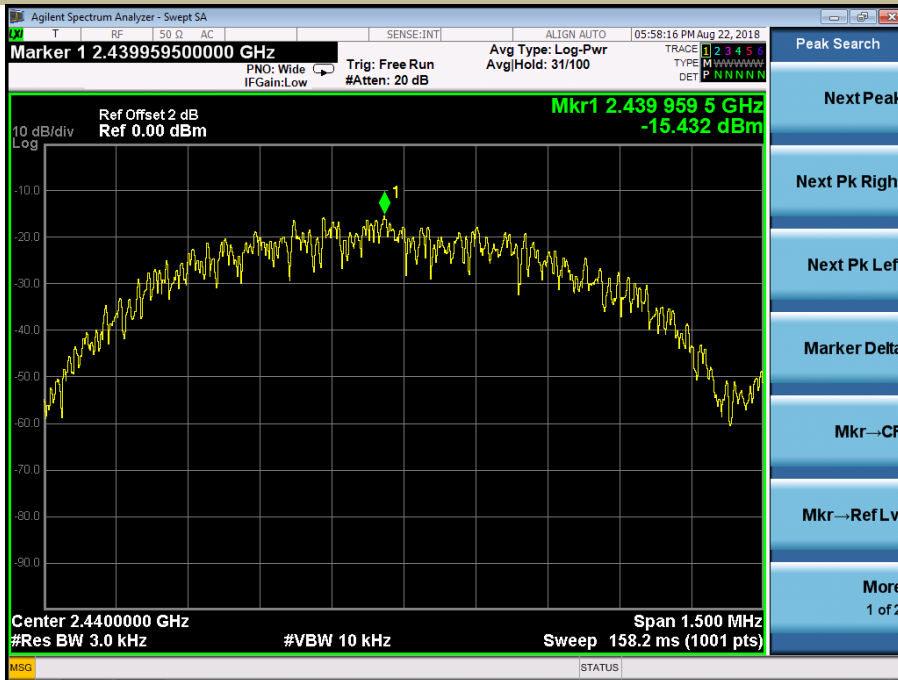
| | |
|--------------------|-----------|
| Temperature: | 26° C |
| Relative Humidity: | 54% |
| ATM Pressure: | 1011 mbar |

| Operation Mode | Channel Number | Channel Frequency (MHz) | Measurement Level (dBm/3kHz) | Limit (dBm/3kHz) | Verdict |
|--------------------|----------------|-------------------------|------------------------------|------------------|---------|
| Bluetooth V4.1 DTS | 0 | 2402 | -19.124 | <8 | PASS |
| | 19 | 2440 | -15.432 | <8 | PASS |
| | 39 | 2480 | -12.296 | <8 | PASS |
| Note: N/A | | | | | |

Test Model Power Spectral Density
Bluetooth V4.1 DTS
Channel 0: 2402MHz



Test Model Power Spectral Density
Bluetooth V4.1 DTS
Channel 19: 2440MHz

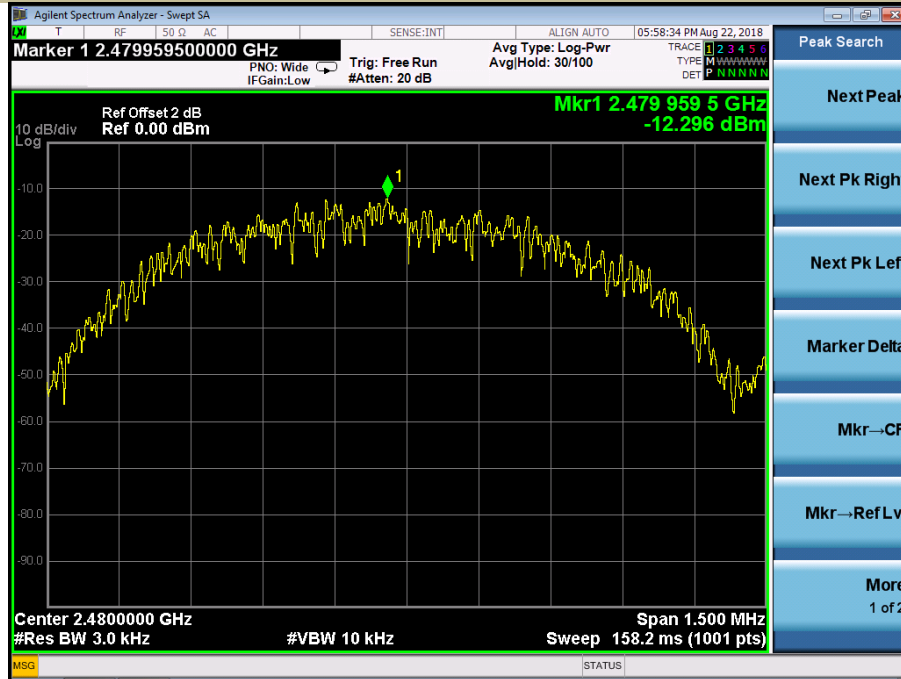


Test Model

Power Spectral Density

Bluetooth V4.1 DTS

Channel 39: 2480MHz



8.4 UNWANTED EMISSIONS IN NON-RESTRICTED FREQUENCY BANDS

8.4.1 Applicable Standard

According to FCC Part 15.247(d) and KDB 558074 DTS 01 Meas. Guidance v05

8.4.2 Conformance Limit

According to FCC Part 15.247(d):

In any 100 kHz bandwidth outside the frequency band in which the spread spectrum or digitally modulated intentional radiator is operating, the radio frequency power that is produced by the intentional radiator shall be at least 20 dB below that in the 100 kHz bandwidth within the band that contains the highest level of the desired power, based on either an RF conducted or a radiated measurement, provided the transmitter demonstrates compliance with the peak conducted power limits. If the transmitter complies with the conducted power limits based on the use of RMS averaging over a time interval, as permitted under paragraph (b)(3) of this section, the attenuation required under this paragraph shall be 30 dB instead of 20 dB.

8.4.3 Test Configuration

Test according to clause 7.1 radio frequency test setup 1

8.4.4 Test Procedure

The transmitter output (antenna port) was connected to the spectrum analyzer

■ Reference level measurement

Establish a reference level by using the following procedure:

Set instrument center frequency to DTS channel center frequency.

Set the span to = 1.5 times the DTS bandwidth.

Set the RBW = 100 kHz.

Set the VBW $\geq 3 \times$ RBW.

Set Detector = peak.

Set Sweep time = auto couple.

Set Trace mode = max hold.

Allow trace to fully stabilize.

Use the peak marker function to determine the maximum PSD level.

Note that the channel found to contain the maximum PSD level can be used to establish the reference level.

■ Emission level measurement

Set the center frequency and span to encompass frequency range to be measured.

Set the RBW = 100 kHz.

Set the VBW = 300 kHz.

Set Detector = peak

Sweep time = auto couple.

Trace mode = max hold.

Allow trace to fully stabilize.

Use the peak marker function to determine the maximum amplitude level.

Ensure that the amplitude of all unwanted emissions outside of the authorized frequency band (excluding restricted frequency bands) are attenuated by at least the minimum requirements . Report the three highest emissions relative to the limit.

8.4.5 Test Results

| | |
|--------------------|-----------|
| Temperature: | 26° C |
| Relative Humidity: | 54% |
| ATM Pressure: | 1011 mbar |

Test Model PSD(Power Spectral Density) RBW=100kHz
Bluetooth V4.1 DTS
Channel 0: 2402MHz



Test Model Unwanted Emissions in non-restricted frequency bands
Bluetooth V4.1 DTS
Channel 0: 2402MHz



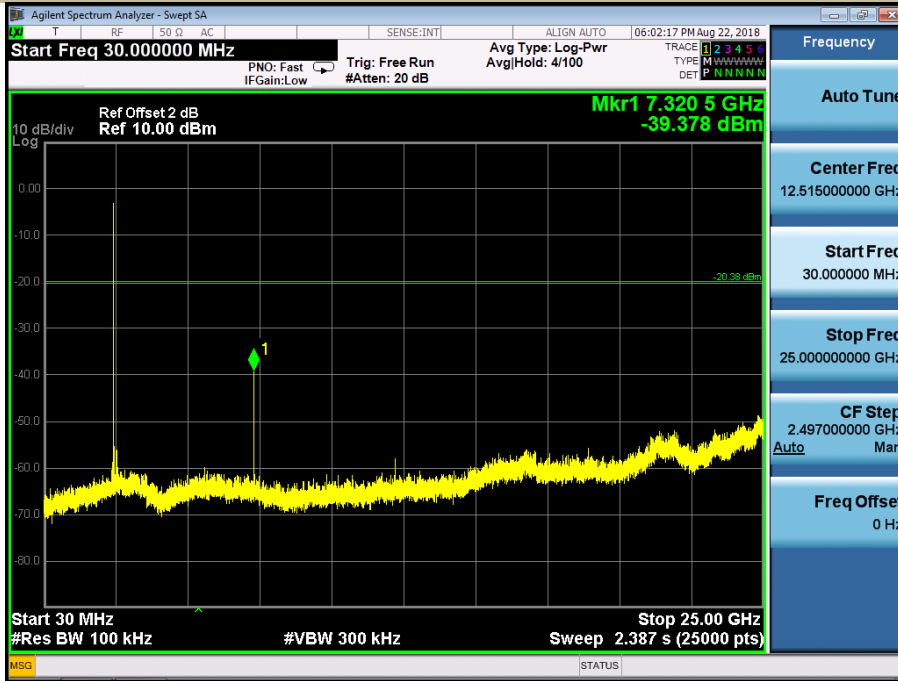
Test Model Band edge
Bluetooth V4.1 DTS
Channel 0: 2402MHz



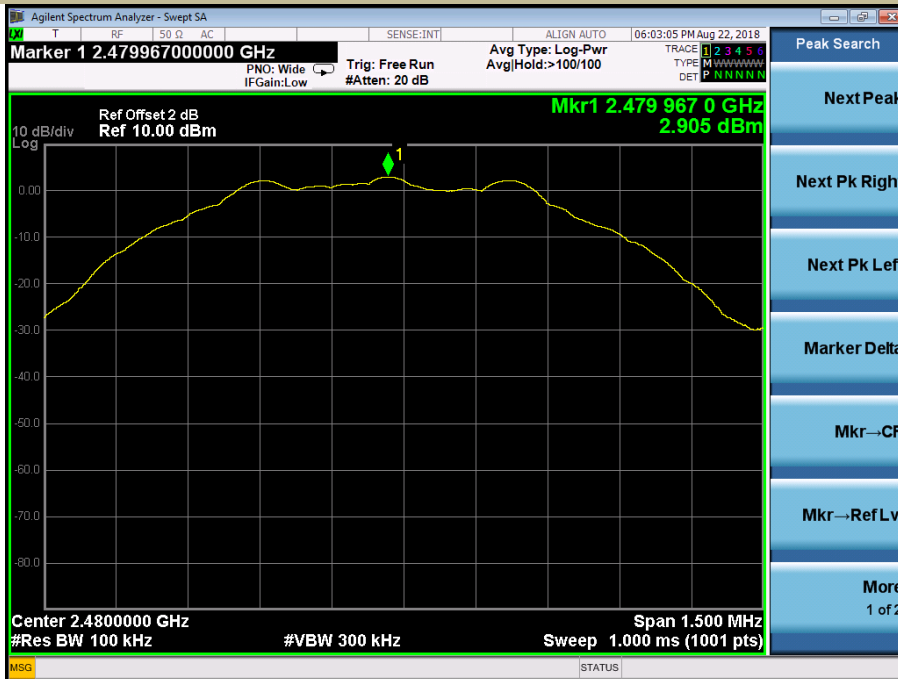
Test Model PSD(Power Spectral Density) RBW=100kHz
Bluetooth V4.1 DTS
Channel 19: 2440MHz



Test Model Unwanted Emissions In Non-Restricted Frequency Bands
Bluetooth V4.1 DTS
Channel 19: 2440MHz



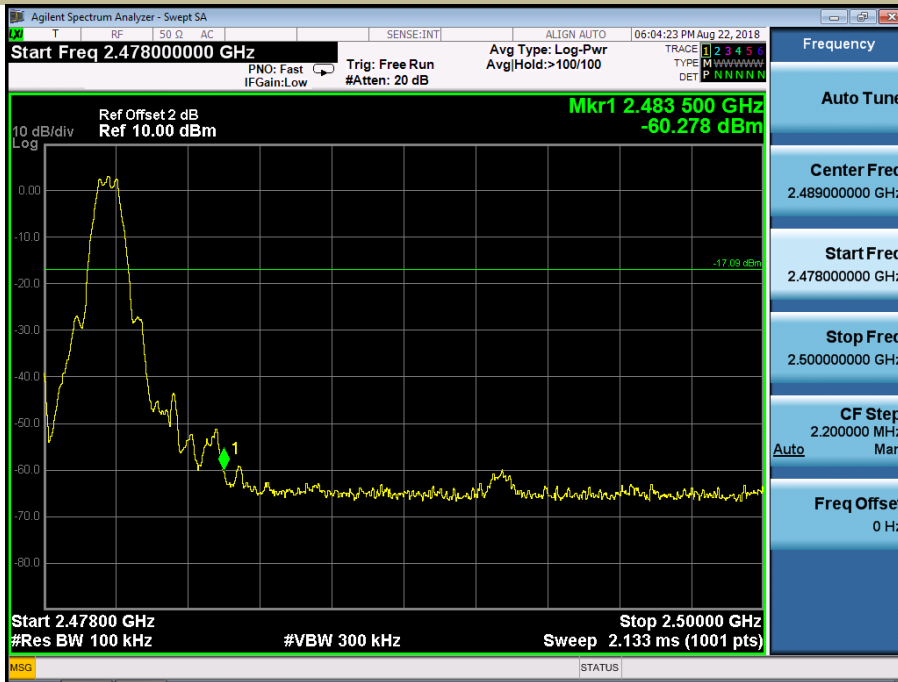
Test Model PSD(Power Spectral Density) RBW=100kHz
Bluetooth V4.1 DTS
Channel 19: 2480MHz



Test Model Unwanted Emissions In Non-Restricted Frequency Bands
Bluetooth V4.1 DTS
Channel 39: 2480MHz



Test Model Band edge
Bluetooth V4.1 DTS
Channel 39: 2480MHz



8.5 RADIATED SPURIOUS EMISSION

8.5.1 Applicable Standard

According to FCC Part 15.247(d) and 15.209 and KDB 558074 DTS 01 Meas. Guidance v04

8.5.2 Conformance Limit

According to FCC Part 15.247(d): radiated emissions which fall in the restricted bands, as defined in §15.205(a), must also comply with the radiated emission limits specified in §15.209(a) (see §15.205(c)).

According to FCC Part 15.205, Restricted bands

| MHz | MHz | MHz | GHz |
|-------------------|---------------------|---------------|-------------|
| 0.090-0.110 | 16.42-16.423 | 399.9-410 | 4.5-5.15 |
| 10.495-0.505 | 16.69475-16.69525 | 608-614 | 5.35-5.46 |
| 2.1735-2.1905 | 16.80425-16.80475 | 960-1240 | 7.25-7.75 |
| 4.125-4.128 | 25.5-25.67 | 1300-1427 | 8.025-8.5 |
| 4.17725-4.17775 | 37.5-38.25 | 1435-1626.5 | 9.0-9.2 |
| 4.20725-4.20775 | 73-74.6 | 1645.5-1646.5 | 9.3-9.5 |
| 6.215-6.218 | 74.8-75.2 | 1660-1710 | 10.6-12.7 |
| 6.26775-6.26825 | 123-138 | 2200-2300 | 14.47-14.5 |
| 8.291-8.294 | 149.9-150.05 | 2310-2390 | 15.35-16.2 |
| 8.362-8.366 | 156.52475-156.52525 | 2483.5-2500 | 17.7-21.4 |
| 8.37625-8.38675 | 156.7-156.9 | 2690-2900 | 22.01-23.12 |
| 8.41425-8.41475 | 162.0125-167.17 | 3260-3267 | 23.6-24.0 |
| 12.29-12.293 | 167.72-173.2 | 3332-3339 | 31.2-31.8 |
| 12.51975-12.52025 | 240-285 | 3345.8-3358 | 36.43-36.5 |
| 12.57675-12.57725 | 322-335.4 | 3600-4400 | (2) |
| 13.36-13.41 | | | |

According to FCC Part 15.205, the level of any transmitter spurious emission in Restricted bands shall not exceed the level of the emission specified in the following table

| Restricted Frequency(MHz) | Field Strength ($\mu\text{V}/\text{m}$) | Field Strength ($\text{dB}\mu\text{V}/\text{m}$) | Measurement Distance |
|---------------------------|---|--|----------------------|
| 0.009-0.490 | 2400/F(KHz) | 20 log ($\mu\text{V}/\text{m}$) | 300 |
| 0.490-1.705 | 2400/F(KHz) | 20 log ($\mu\text{V}/\text{m}$) | 30 |
| 1.705-30 | 30 | 29.5 | 30 |
| 30-88 | 100 | 40 | 3 |
| 88-216 | 150 | 43.5 | 3 |
| 216-960 | 200 | 46 | 3 |
| Above 960 | 500 | 54 | 3 |

8.5.3 Test Configuration

Test according to clause 7.2 radio frequency test setup 2

8.5.4 Test Procedure

This test is required for any spurious emission that falls in a Restricted Band, as defined in Section 15.205. It must be performed with the highest gain of each type of antenna proposed for use with the EUT. Use the following spectrum analyzer settings:

The EUT was placed on a turn table which is 0.8m above ground plane.

Maximum procedure was performed on the highest emissions to ensure EUT compliance.

Span = wide enough to fully capture the emission being measured

RBW = 1 MHz for $f \geq 1$ GHz(1GHz to 25GHz), 100 kHz for $f < 1$ GHz(30MHz to 1GHz)

VBW \geq RBW

Sweep = auto

Detector function = peak

Trace = max hold

Follow the guidelines in ANSI C63.10-2013 with respect to maximizing the emission by rotating the EUT, measuring the emission while the EUT is situated in three orthogonal planes (if appropriate), adjusting the measurement antenna height and polarization, etc. A pre-amp and a high pass filter are required for this test, in order to provide the measuring system with sufficient sensitivity. Allow the trace to stabilize. The peak reading of the emission, after being corrected by the antenna factor, cable loss, pre-amp gain, etc., is the peak field strength, which must comply with the limit specified in Section 15.35(b). Submit this data. Now set the VBW to 10 Hz, while maintaining all of the other instrument settings. This peak level, once corrected, must comply with the limit specified in Section 15.209. If the dwell time per channel of the hopping signal is less than 100 ms, then the reading obtained with the 10 Hz VBW may be further adjusted by a “duty cycle correction factor”, derived from $20\log(\text{dwell time}/100 \text{ ms})$, in an effort to demonstrate compliance with the 15.209 limit. Submit this data. Repeat above procedures until all frequency measured was complete.

8.5.5 Test Results

| | |
|--------------------|-----------|
| Temperature: | 26° C |
| Relative Humidity: | 54% |
| ATM Pressure: | 1011 mbar |

■ Spurious Emission below 30MHz (9KHz to 30MHz)

| Freq. (MHz) | Ant.Pol. H/V | Emission Level(dBuV/m) | | Limit 3m(dBuV/m) | | Over(dB) | |
|-------------|--------------|------------------------|----|------------------|----|----------|----|
| | | PK | AV | PK | AV | PK | AV |
| -- | -- | -- | -- | -- | -- | -- | -- |

Note: the amplitude of spurious emission that is attenuated by more than 20dB below the permissible limit has no need to be reported.

Distance extrapolation factor = $40\log(\text{Specific distance}/ \text{test distance})(\text{ dB})$;

Limit line=Specific limits(dBuV) + distance extrapolation factor

■ Spurious Emission Above 1GHz (1GHz to 25GHz)

Bluetooth V4.1 DTS mode have been tested, and the worst result was report as below:

Test mode: BLE Frequency: Channel 0: 2402MHz

| Freq. (MHz) | Ant.Pol. H/V | Emission Level(dBuV/m) | | Limit 3m(dBuV/m) | | Over(dB) | |
|-------------|--------------|------------------------|-------|------------------|----|----------|--------|
| | | PK | AV | PK | AV | PK | AV |
| 4804.00 | V | 57.04 | 43.38 | 74 | 54 | -16.96 | -10.62 |
| 7206.00 | V | 53.99 | 40.46 | 74 | 54 | -20.01 | -13.54 |
| 9608.00 | V | 49.27 | 35.45 | 74 | 54 | -24.73 | -18.55 |
| 4804.00 | H | 56.11 | 42.33 | 74 | 54 | -17.89 | -11.67 |
| 7206.00 | H | 52.32 | 38.91 | 74 | 54 | -21.68 | -15.09 |
| 9608.00 | H | 50.46 | 35.71 | 74 | 54 | -23.54 | -18.29 |

Test mode: BLE Frequency: Channel 19: 2440MHz

| Freq. (MHz) | Ant.Pol. H/V | Emission Level(dBuV/m) | | Limit 3m(dBuV/m) | | Over(dB) | |
|-------------|--------------|------------------------|-------|------------------|----|----------|--------|
| | | PK | AV | PK | AV | PK | AV |
| 4880.00 | V | 55.64 | 42.77 | 74 | 54 | -18.36 | -11.23 |
| 7320.00 | V | 50.73 | 40.64 | 74 | 54 | -23.27 | -13.36 |
| 9760.00 | V | 49.45 | 37.16 | 74 | 54 | -24.55 | -16.84 |
| 4880.00 | H | 58.99 | 43.43 | 74 | 54 | -15.01 | -10.57 |
| 7320.00 | H | 52.39 | 38.38 | 74 | 54 | -21.61 | -15.62 |
| 9760.00 | H | 49.77 | 36.04 | 74 | 54 | -24.23 | -17.96 |

Test mode: BLE

Frequency:

Channel 39: 2480MHz

| Freq. (MHz) | Ant.Pol. H/V | Emission Level(dBuV/m) | | Limit 3m(dBuV/m) | | Over(dB) | |
|----------------|-----------------|---------------------------|-------|------------------|----|----------|--------|
| | | PK | AV | PK | AV | PK | AV |
| 4960.00 | V | 55.79 | 43.17 | 74 | 54 | -18.21 | -10.83 |
| 7440.00 | V | 50.05 | 40.53 | 74 | 54 | -23.95 | -13.47 |
| 9920.00 | V | 49.46 | 36.33 | 74 | 54 | -24.54 | -17.67 |
| 4960.00 | H | 58.84 | 42.26 | 74 | 54 | -15.16 | -11.74 |
| 7440.00 | H | 50.02 | 38.99 | 74 | 54 | -23.98 | -15.01 |
| 9920.00 | H | 50.11 | 37.45 | 74 | 54 | -23.89 | -16.55 |

- Note:** (1) All Readings are Peak Value (VBW=3MHz) and Peak Value (VBW=10Hz).
(2) Emission Level= Reading Level+Correct Factor +Cable Loss.
(3) Correct Factor= Ant_F + Cab_L - Preamp
(4)Data of measurement within this frequency range shown "--" in the table above means the reading of emissions are attenuated more than 20dB below the permissible limits or the field strength is too small to be measured.

■ Spurious Emission in Restricted Band 2310-2390MHz and 2483.5-2500MHz

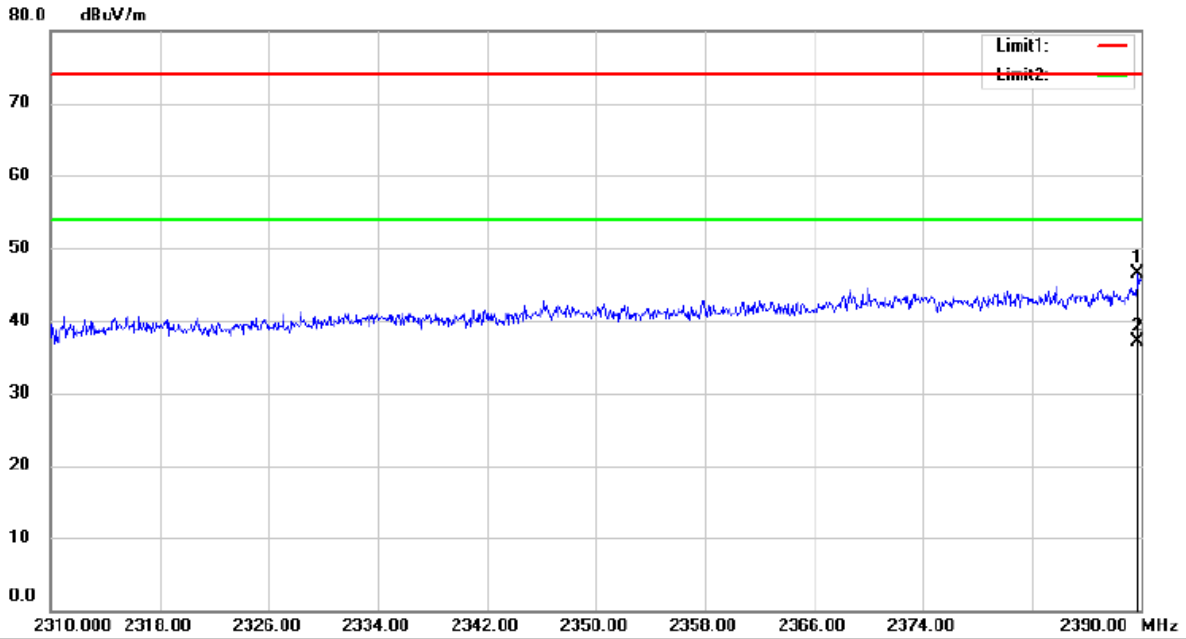
| Frequency (MHz) | Polarity | PK(dBuV/m) (VBW=3MHz) | Limit 3m (dBuV/m) | Margin (dB) | AV(dBuV/m) (VBW=10Hz) | Limit 3m (dBuV/m) | Margin (dB) |
|-----------------|----------|-----------------------|-------------------|-------------|-----------------------|-------------------|-------------|
| 2389.76 | H | 46.43 | 74 | -27.57 | 37.19 | 54 | -16.81 |
| 2389.84 | V | 47.05 | 74 | -26.95 | 38.21 | 54 | -15.79 |

| Frequency (MHz) | Polarity | PK(dBuV/m) (VBW=3MHz) | Limit 3m (dBuV/m) | Margin (dB) | AV(dBuV/m) (VBW=10Hz) | Limit 3m (dBuV/m) | Margin (dB) |
|-----------------|----------|-----------------------|-------------------|-------------|-----------------------|-------------------|-------------|
| 2483.51 | H | 50.34 | 74 | -23.66 | 40.67 | 54 | -13.33 |
| 2483.58 | V | 49.08 | 74 | -24.92 | 40.27 | 54 | -13.73 |

- Note:**
- (1) All Readings are Peak Value (VBW=3MHz) and Peak Value (VBW=10Hz).
 - (2) Emission Level= Reading Level+Correct Factor +Cable Loss.
 - (3) Correct Factor= Ant_F + Cab_L - Preamp
 - (4)Data of measurement within this frequency range shown “ -- ” in the table above means the reading of emissions are attenuated more than 20dB below the permissible limits or the field strength is too small to be measured.

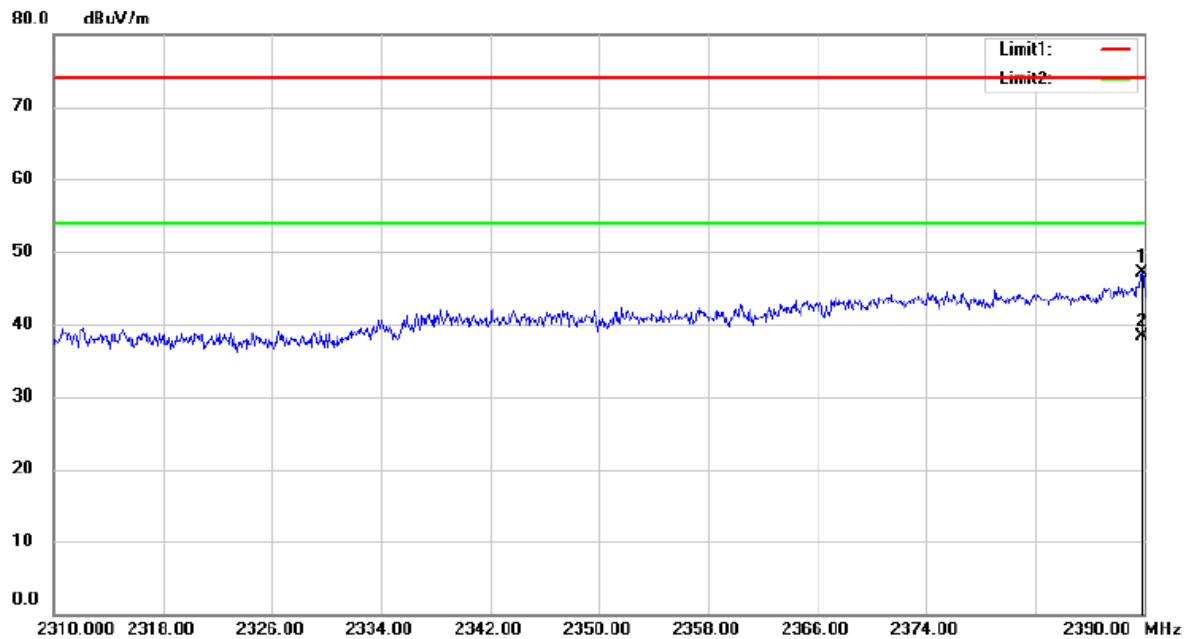
All the modulation modes were tested, the data of the worst mode are described in the following table

Spurious Emission in Restricted Band 2310-2390MHz
Bluetooth V4.1 DTS
Channel 0: 2402MHz H



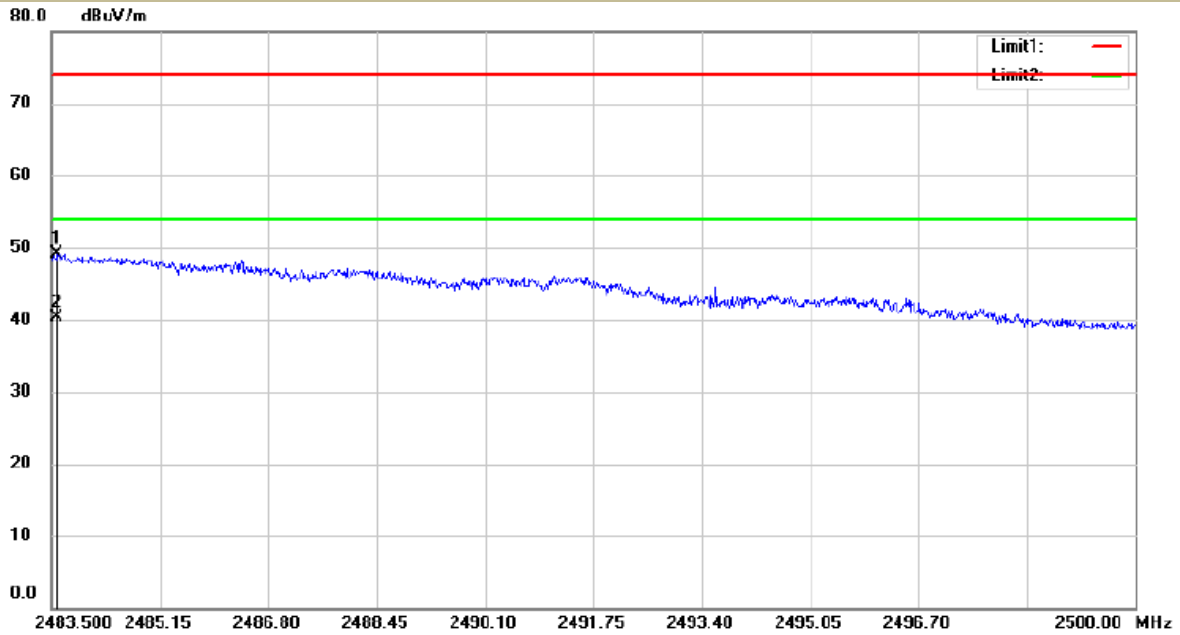
Site 3m Chamber 1# Polarization: **Horizontal** Temperature: 24 C
Limit: (RE)FCC PART 15 CLASS B Power: AC 120V/60Hz Humidity: 53 %

Spurious Emission in Restricted Band 2310-2390MHz
Bluetooth V4.1 DTS
Channel 0: 2402MHz V



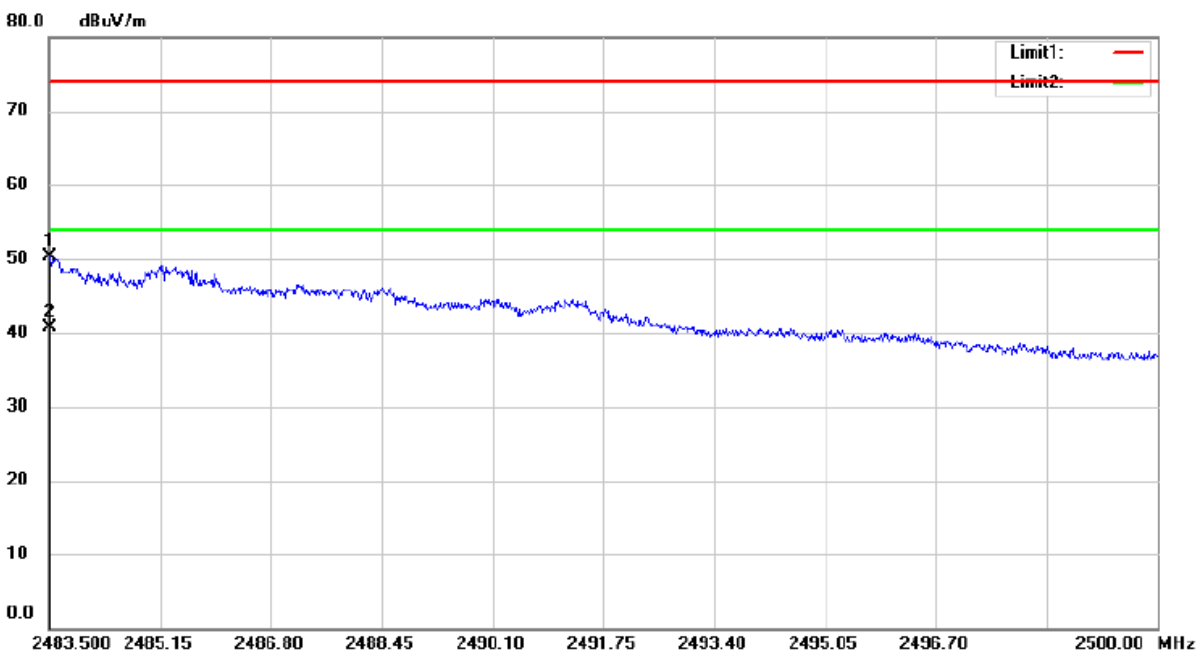
Site 3m Chamber 1# Polarization: **Vertical** Temperature: 24 C
Limit: (RE)FCC PART 15 CLASS B Power: AC 120V/60Hz Humidity: 53 %

Spurious Emission in Restricted Band 2483.5-2500MHz
Bluetooth V4.1 DTS
Channel 39: 2480MHz V



Site: 3m Chamber 1# Polarization: **Vertical** Temperature: 24 C
Limit: (RE)FCC PART 15 CLASS B Power: AC 120V/60Hz Humidity: 53 %

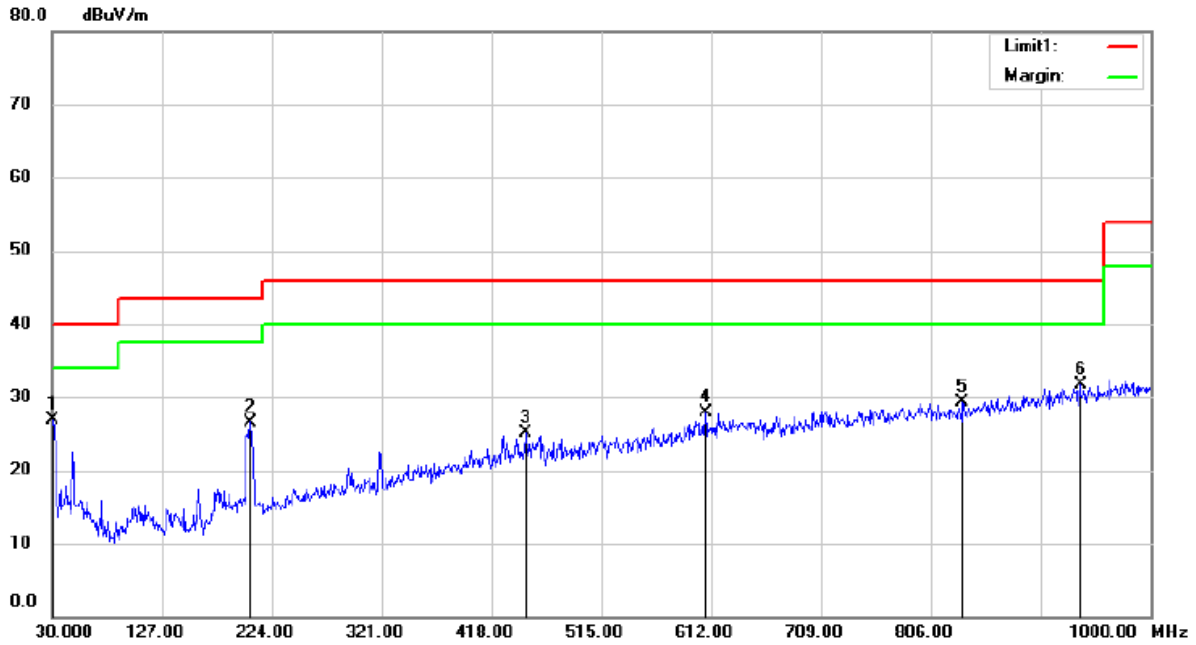
Spurious Emission in Restricted Band 2483.5-2500MHz
Bluetooth V4.1 DTS
Channel 39: 2480MHz H



Site: 3m Chamber 1# Polarization: **Horizontal** Temperature: 24 C
Limit: (RE)FCC PART 15 CLASS B Power: AC 120V/60Hz Humidity: 53 %

■ Spurious Emission below 1GHz (30MHz to 1GHz)

All modes have been tested, and the worst result recorded was report as below:

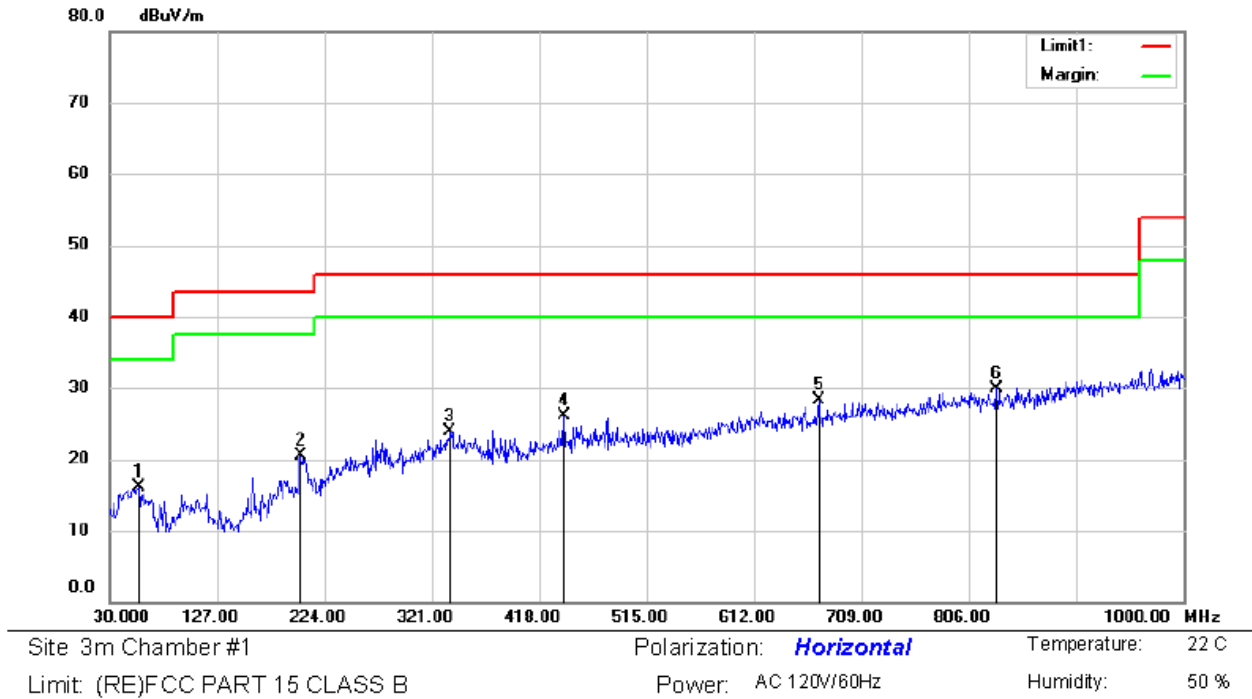


Site: 3m Chamber #1 Polarization: **Vertical** Temperature: 22 C
 Limit: (RE)FCC PART 15 CLASS B Power: AC 120V/60Hz Humidity: 50 %

Mode: BLE-2402

Note:

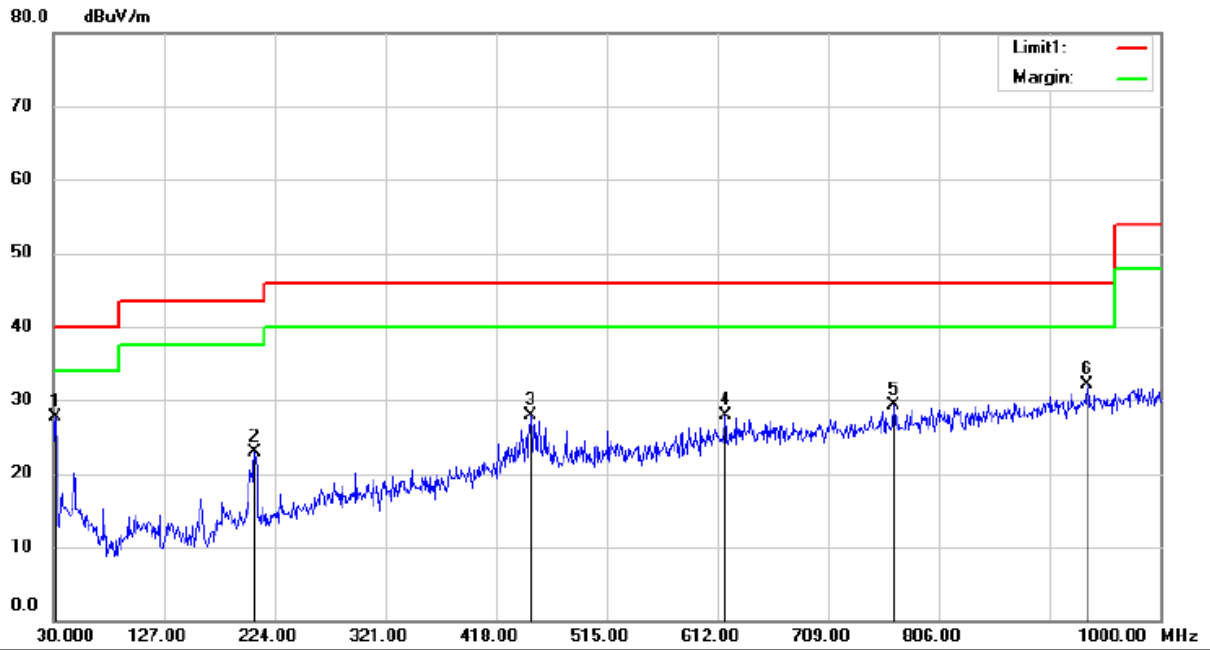
| No. | Mk. | Freq. MHz | Reading Level dBuV | Correct Factor dB | Measure- ment dBuV/m | Limit dBuV/m | Over dB | Detector | Antenna Height cm | Table Degree degree | Comment |
|-----|-----|--------------|--------------------------|-------------------------|----------------------------|-----------------|------------|----------|-------------------------|---------------------------|---------|
| 1 | * | 30.0000 | 41.05 | -14.10 | 26.95 | 40.00 | -13.05 | peak | | | |
| 2 | | 204.6000 | 38.34 | -11.74 | 26.60 | 43.50 | -16.90 | peak | | | |
| 3 | | 448.0700 | 30.27 | -5.08 | 25.19 | 46.00 | -20.81 | peak | | | |
| 4 | | 607.1500 | 30.27 | -2.45 | 27.82 | 46.00 | -18.18 | peak | | | |
| 5 | | 834.1300 | 28.73 | 0.63 | 29.36 | 46.00 | -16.64 | peak | | | |
| 6 | | 937.9200 | 28.99 | 2.77 | 31.76 | 46.00 | -14.24 | peak | | | |



Mode: 2402

Note:

| No. | Mk. | Freq. MHz | Reading Level dBuV | Correct Factor dB | Measure- ment dBuV/m | Limit dBuV/m | Over dB | Detector | Antenna Height cm | Table Degree | Comment |
|-----|-----|--------------|--------------------------|-------------------------|----------------------------|-----------------|------------|----------|-------------------------|-----------------|---------|
| 1 | | 56.1900 | 27.73 | -11.70 | 16.03 | 40.00 | -23.97 | QP | | | |
| 2 | | 202.6800 | 32.16 | -11.68 | 20.48 | 43.50 | -23.02 | QP | | | |
| 3 | | 337.4900 | 31.34 | -7.35 | 23.99 | 46.00 | -22.01 | QP | | | |
| 4 | | 440.3100 | 31.29 | -5.20 | 26.09 | 46.00 | -19.91 | QP | | | |
| 5 | | 670.2000 | 30.01 | -1.74 | 28.27 | 46.00 | -17.73 | QP | | | |
| 6 | * | 831.2200 | 29.37 | 0.52 | 29.89 | 46.00 | -16.11 | QP | | | |

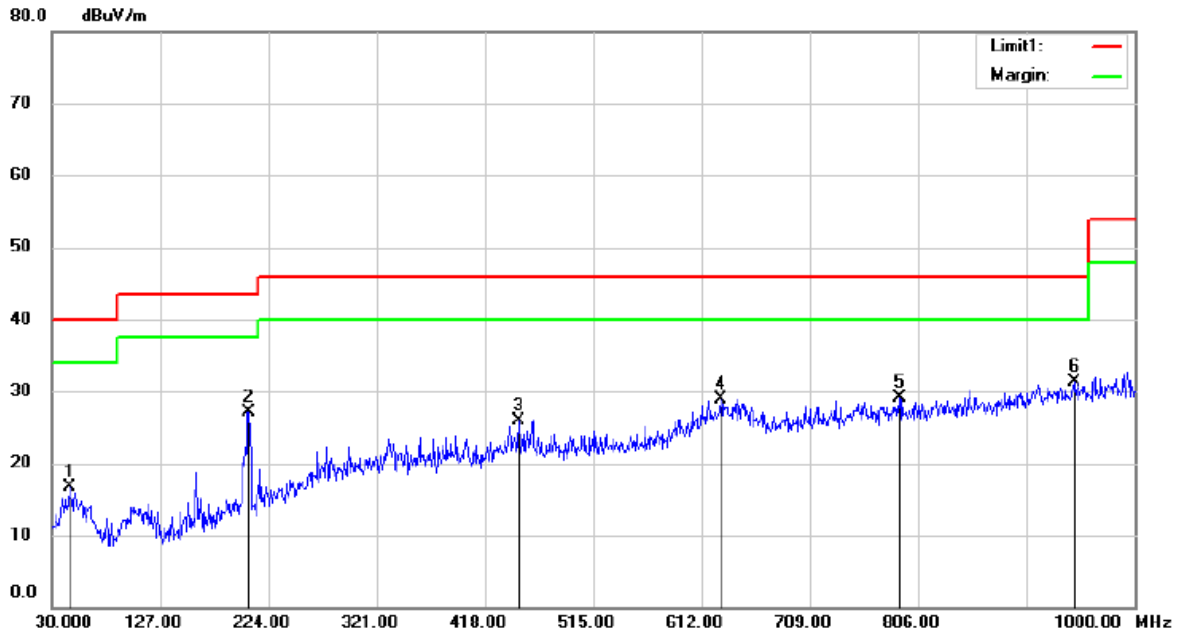


Site: 3m Chamber #1 Polarization: **Vertical** Temperature: 22 C
 Limit: (RE)FCC PART 15 CLASS B Power: AC 120V/60Hz Humidity: 50 %

Mode: BLE-2440

Note:

| No. | Mk. | Freq. MHz | Reading Level dBuV | Correct Factor dB | Measure- ment dBuV/m | Limit dBuV/m | Over dB | Antenna Height cm | Table Degree degree | Comment |
|-----|-----|--------------|--------------------------|-------------------------|----------------------------|-----------------|------------|-------------------------|---------------------------|---------|
| 1 | * | 31.9400 | 41.90 | -14.15 | 27.75 | 40.00 | -12.25 | QP | | |
| 2 | | 206.5400 | 34.64 | -11.80 | 22.84 | 43.50 | -20.66 | QP | | |
| 3 | | 448.0700 | 32.96 | -5.08 | 27.88 | 46.00 | -18.12 | QP | | |
| 4 | | 618.7900 | 30.02 | -2.21 | 27.81 | 46.00 | -18.19 | QP | | |
| 5 | | 766.2300 | 29.48 | -0.14 | 29.34 | 46.00 | -16.66 | QP | | |
| 6 | | 935.9800 | 29.28 | 2.73 | 32.01 | 46.00 | -13.99 | QP | | |



Site 3m Chamber #1

Polarization: **Horizontal**

Temperature: 22 C

Limit: (RE)FCC PART 15 CLASS B

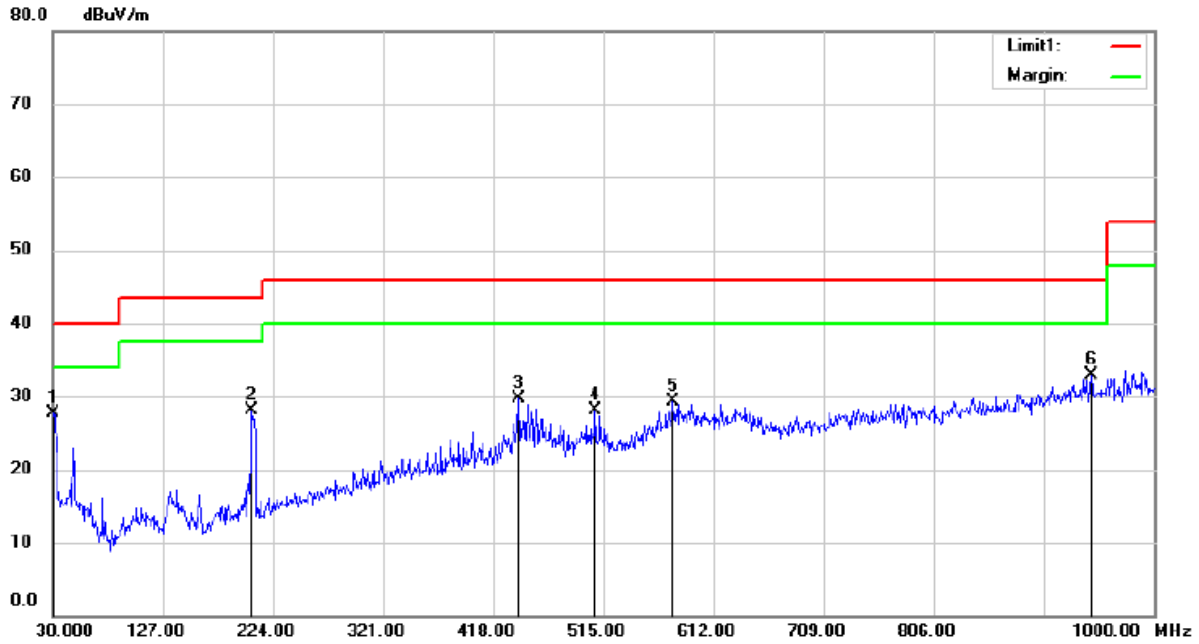
Power: AC 120V/60Hz

Humidity: 50 %

Mode: BLE-2440

Note:

| No. | Mk. | Freq. | Reading Level | Correct Factor | Measurement | Limit | Over | Antenna Height | Table Degree | Detector | Comment |
|-----|-----|----------|---------------|----------------|-------------|--------|--------|----------------|--------------|----------|---------|
| | | MHz | dBuV | dB | dBuV/m | dBuV/m | dB | cm | degree | | |
| 1 | | 45.5200 | 27.89 | -11.00 | 16.89 | 40.00 | -23.31 | | | QP | |
| 2 | | 206.5400 | 38.98 | -11.80 | 27.18 | 43.50 | -16.32 | | | QP | |
| 3 | | 448.0700 | 30.93 | -5.08 | 25.85 | 46.00 | -20.15 | | | QP | |
| 4 | | 629.4600 | 31.01 | -2.06 | 28.95 | 46.00 | -17.05 | | | QP | |
| 5 | | 789.5100 | 29.04 | 0.02 | 29.06 | 46.00 | -16.94 | | | QP | |
| 6 | * | 946.6500 | 28.44 | 2.86 | 31.30 | 46.00 | -14.70 | | | QP | |

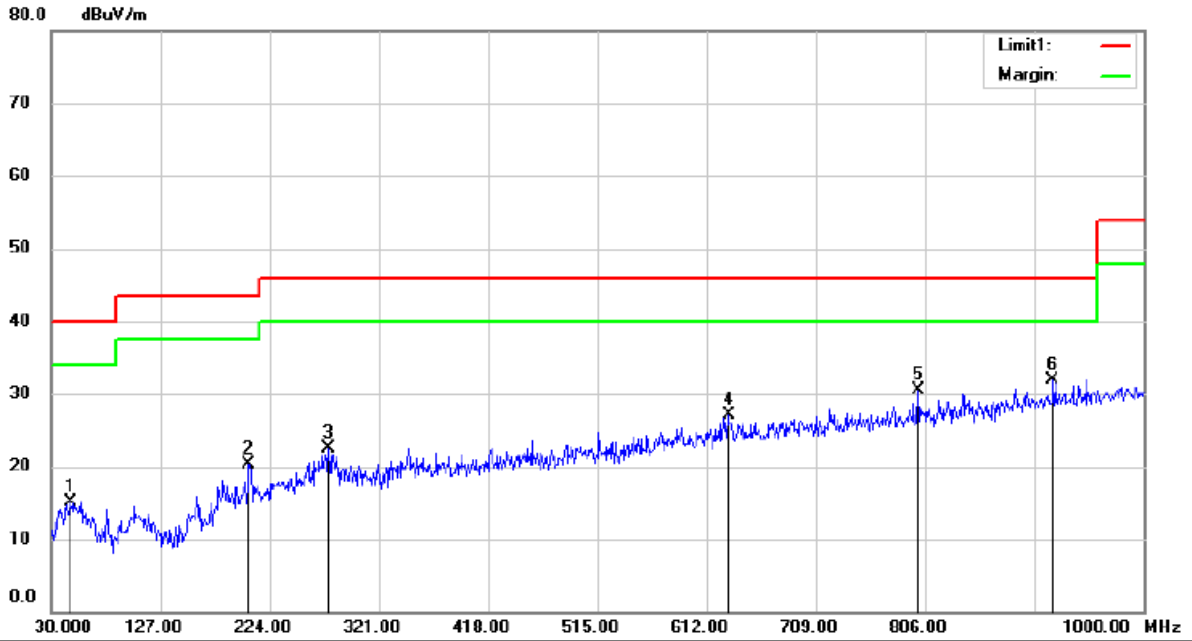


Site: 3m Chamber #1 Polarization: **Vertical** Temperature: 22 C
 Limit: (RE)FCC PART 15 CLASS B Power: AC 120V/60Hz Humidity: 50 %

Mode: BLE-2480

Note:

| No. | Mk. | Freq. MHz | Reading Level dBuV | Correct Factor dB | Measure- ment dBuV/m | Limit dBuV/m | Over dB | Detector | Antenna Height cm | Table Degree | Comment |
|-----|-----|--------------|--------------------------|-------------------------|----------------------------|-----------------|------------|----------|-------------------------|-----------------|---------|
| 1 | * | 30.0000 | 41.82 | -14.10 | 27.72 | 40.00 | -12.28 | QP | | | |
| 2 | | 205.5700 | 39.87 | -11.77 | 28.10 | 43.50 | -15.40 | QP | | | |
| 3 | | 440.3100 | 34.92 | -5.20 | 29.72 | 46.00 | -16.28 | QP | | | |
| 4 | | 508.2100 | 32.98 | -4.92 | 28.06 | 46.00 | -17.94 | QP | | | |
| 5 | | 576.1100 | 32.72 | -3.41 | 29.31 | 46.00 | -16.69 | QP | | | |
| 6 | | 944.7100 | 30.09 | 2.84 | 32.93 | 46.00 | -13.07 | QP | | | |



Site 3m Chamber #1

Polarization: *Horizontal*

Temperature: 22 C

Limit: (RE)FCC PART 15 CLASS B

Power: AC 120V/60Hz

Humidity: 50 %

Mode: BLE-2480

Note:

| No. | Mk. | Freq. | Reading Level | Correct Factor | Measurement | Limit | Over | Antenna Height | Table Degree | |
|-----|-----|----------|---------------|----------------|-------------|--------|--------|----------------|--------------|---------|
| | | MHz | dBuV | dB | dBuV/m | dBuV/m | dB | cm | degree | Comment |
| 1 | | 47.4600 | 26.03 | -10.94 | 15.09 | 40.00 | -24.91 | QP | | |
| 2 | | 205.5700 | 32.07 | -11.77 | 20.30 | 43.50 | -23.20 | QP | | |
| 3 | | 276.3800 | 31.43 | -9.02 | 22.41 | 46.00 | -23.59 | QP | | |
| 4 | | 631.4000 | 29.23 | -2.05 | 27.18 | 46.00 | -18.82 | QP | | |
| 5 | | 800.1800 | 30.45 | 0.12 | 30.57 | 46.00 | -15.43 | QP | | |
| 6 | * | 919.4900 | 29.34 | 2.54 | 31.88 | 46.00 | -14.12 | QP | | |

8.6 CONDUCTED EMISSIONS TEST

8.6.1 Applicable Standard

According to FCC Part 15.207(a)

8.6.2 Conformance Limit

| Frequency(MHz) | Conducted Emission Limit | |
|----------------|--------------------------|---------|
| | Quasi-peak | Average |
| 0.15-0.5 | 66-56 | 56-46 |
| 0.5-5.0 | 56 | 46 |
| 5.0-30.0 | 60 | 50 |

Note: 1. The lower limit shall apply at the transition frequencies
 2. The limit decreases in line with the logarithm of the frequency in the range of 0.15 to 0.50MHz.

8.6.3 Test Configuration

Test according to clause 7.3 conducted emission test setup

8.6.4 Test Procedure

The EUT was placed on a table which is 0.8m above ground plane.
 Maximum procedure was performed on the highest emissions to ensure EUT compliance.
 Repeat above procedures until all frequency measured were complete.

8.6.5 Test Results

Not Applicable

8.7 ANTENNA APPLICATION

8.7.1 Antenna Requirement

| Standard | Requirement |
|---------------------|--|
| FCC CRF Part 15.203 | An intentional radiator shall be designed to ensure that no antenna other than that furnished by the responsible party shall be used with the device. The use of a permanently attached antenna or of an antenna that uses a unique coupling to the intentional radiator shall be considered sufficient to comply with the provisions of this section. The manufacturer may design the unit so that a broken antenna can be replaced by the user, but the use of a standard antenna jack or electrical connector is prohibited. This requirement does not apply to carrier current devices or to devices operated under the provisions of §15.211, §15.213, §15.217, §15.219, or §15.221. Further, this requirement does not apply to intentional radiators that must be professionally installed, such as perimeter protection systems and some field disturbance sensors, or to other intentional radiators which, in accordance with §15.31(d), must be measured at the installation site. However, the installer shall be responsible for ensuring that the proper antenna is employed so that the limits in this part are not exceeded. |

For intentional device, according to FCC 47 CFR Section 15.203, an intentional radiator shall be designed to ensure that no antenna other than that furnished by the responsible party shall be used with the device. And according to FCC 47 CFR Section 15.247 (b), if transmitting antennas of directional gain greater than 6dBi are used, the power shall be reduced by the amount in dB that the directional gain of the antenna exceeds 6dBi.

8.7.2 Result

PASS.

The EUT has 1 antenna: a PCB Antenna for BLE, the gain is 0 dBi;

- Note:
- Antenna use a permanently attached antenna which is not replaceable.
 - Not using a standard antenna jack or electrical connector for antenna replacement
 - The antenna has to be professionally installed (please provide method of installation)

which in accordance to section 15.203, please refer to the internal photos.

Detail of factor for radiated emission

| Frequency(MHz) | Ant_F(dB) | Cab_L(dB) | Preamp(dB) | Correct Factor(dB) |
|----------------|-----------|-----------|------------|--------------------|
| 0.009 | 20.6 | 0.03 | \ | 20.63 |
| 0.15 | 20.7 | 0.1 | \ | 20.8 |
| 1 | 20.9 | 0.15 | \ | 21.05 |
| 10 | 20.1 | 0.28 | \ | 20.38 |
| 30 | 18.8 | 0.45 | \ | 19.25 |
| | | | | |
| 30 | 11.7 | 0.62 | 27.9 | -15.58 |
| 100 | 12.5 | 1.02 | 27.8 | -14.28 |
| 300 | 12.9 | 1.91 | 27.5 | -12.69 |
| 600 | 19.2 | 2.92 | 27 | -4.88 |
| 800 | 21.1 | 3.54 | 26.6 | -1.96 |
| 1000 | 22.3 | 4.17 | 26.2 | 0.27 |
| | | | | |
| 1000 | 25.6 | 1.76 | 41.4 | -14.04 |
| 3000 | 28.9 | 3.27 | 43.2 | -11.03 |
| 5000 | 31.1 | 4.2 | 44.6 | -9.3 |
| 8000 | 36.2 | 5.95 | 44.7 | -2.55 |
| 10000 | 38.4 | 6.3 | 43.9 | 0.8 |
| 12000 | 38.5 | 7.14 | 42.3 | 3.34 |
| 15000 | 40.2 | 8.15 | 41.4 | 6.95 |
| 18000 | 45.4 | 9.02 | 41.3 | 13.12 |
| | | | | |
| 18000 | 37.9 | 1.81 | 47.9 | -8.19 |
| 21000 | 37.9 | 1.95 | 48.7 | -8.85 |
| 25000 | 39.3 | 2.01 | 42.8 | -1.49 |
| 28000 | 39.6 | 2.16 | 46.0 | -4.24 |
| 31000 | 41.2 | 2.24 | 44.5 | -1.06 |
| 34000 | 41.5 | 2.29 | 46.6 | -2.81 |
| 37000 | 43.8 | 2.30 | 46.4 | -0.3 |
| 40000 | 43.2 | 2.50 | 42.2 | 3.5 |