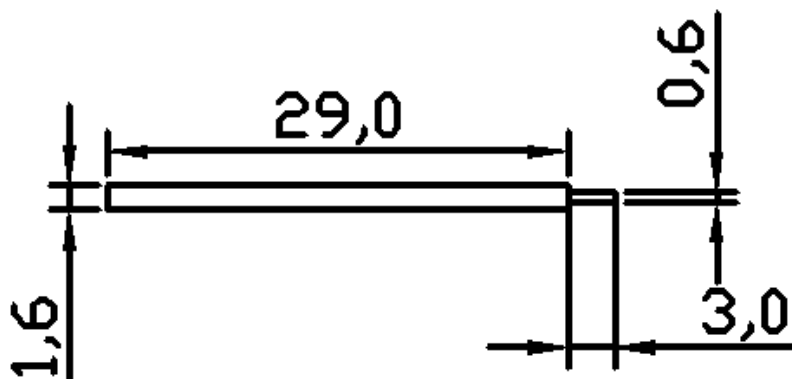


## 1. Electrical Specification:

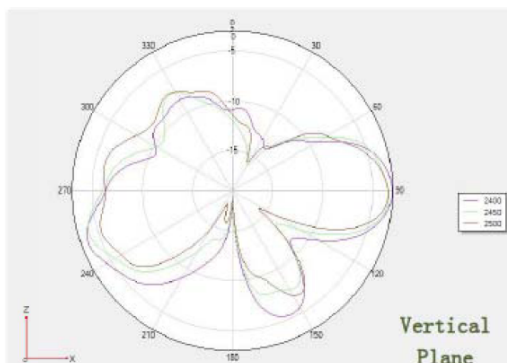
Characteristics	Specifications	Unit
Outline Dimensions	Φ1.6 x L31	mm
Working Frequency	2400~2500	MHz
Characteristic Impedance	50	Ω
Return Loss	-10 Max	dB
Polarization	Linear Polarization	
Peak Gain	0	dBi
Efficiency	>20	%
Connector Type	Solder	
Operating temperature	-20°C~+50°C	
Storage Temp	-20°C~+50°C	

## 2. Mechanical Specification:

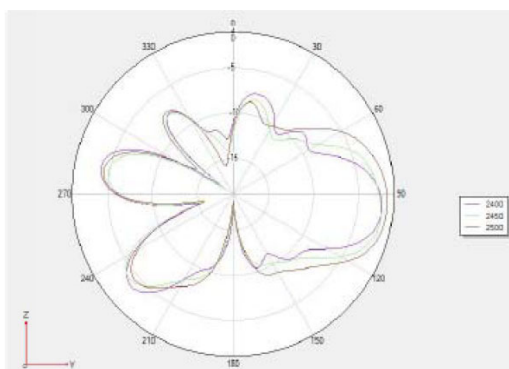


### 3. Radiation Pattern

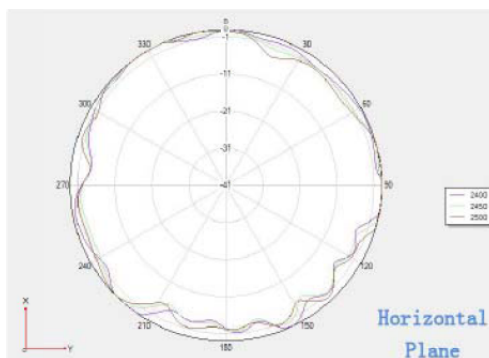
Unit: dBi



2400MHz



2450MHz



2500MHz