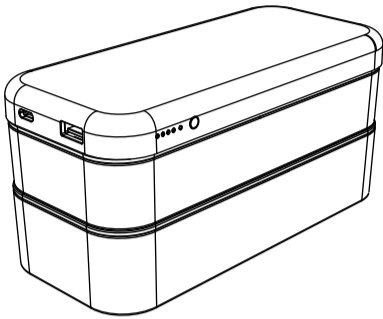


70MM
110MM

Front

BentoStack Charge 8000 mAh



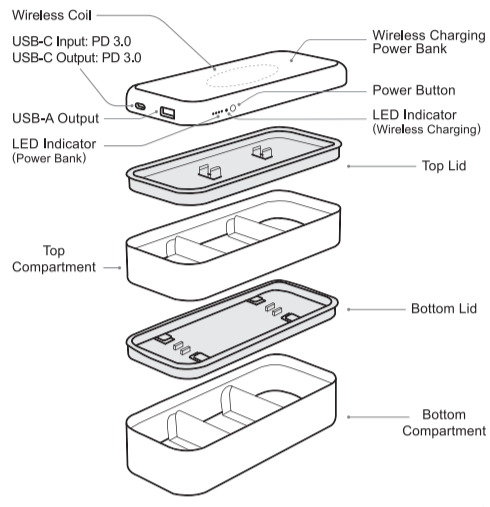
User Manual

FUNCTION101 GROUP LLC
Address: 7365 Commercial Way, Suite 115 Henderson, NV 89011
www.function101.com

BentoStack Charge

Thank you for your purchase of BentoStack Charge. The BentoStack Charge is an Apple Accessory Organizer with a Qi Charger and 8000 mAh battery built into the Top Cover. Please read the user manual before using.

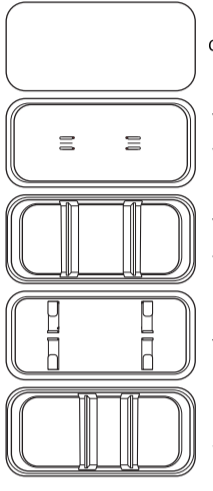
Product Outline



1

Instructions

Your BentoStack Charge is designed to hold a variety of the most commonly used Apple Accessories with 4 adjustable compartment dividers to optimize for your personal use.



- Charge Cover
- Top Lid: Apple Pencil Holder / Phone Stand
- Top Compartment: AirPods and Charge Cables
- Bottom Lid: Two Apple Watchbands
- Bottom Compartment: Power Bricks and Wall Chargers

2

Charging

- Input Power**
Charge power bank via USB-C input.
- Output Power**
Charge devices via USB-A and USB-C output.
- Wireless Charging**
Charge device via Qi-enabled wireless coil. Transmission distance: < 8mm

3

- Power Button
- Power Indicators LED1-LED4 / LED5 Indicator status
- Dual USB Output
- USB-C Input
- Qi wireless discharge

Accessory list:
USB-A to USB-C charging cable X 1
Capacity: 8000mAh@3.7V 29.6Wh
Input: 5V ∓2.4A, 9V ∓2A
USB C Output: 5V ∓3A, 9V ∓2A, 12V ∓1.5A
USB A Output: 5V ∓3A, 9V ∓2A, 12V ∓1.5A
Wireless charging support for 10W max.

LED Introduction

Signs:
OFF ON BLINK


- 0%-25% LED1 BLINK
- 25%-50% LED1 ON LED2 BLINK
- 50%-75% LED1-LED2 ON LED3 BLINK
- 75%-99% LED1-LED3 ON LED4 BLINK
- 100% LED1-LED4 ON

How to Check the Power Level


- Power Level Indications: this portable power bank has 4 power level indicators which enable you to check the remaining power conveniently.
- You can check the power level pressing the power button, shown as the above LED introduction.

4

Press power button to check remaining power.




Press power button to turn on power bank. The power indicator lights will turn on white and power status indicator light will briefly turn on blue. Wireless charging function then turns on.



BLUE

Place the mobile device on the wireless charge cover when the status indicator turn on blue. The status indicator will blink in blue when wireless charging works correctly. The status indicator will turn on red still which is on FOD, means wireless charging wrong.



BLUE/RED

For additional support, please contact us at support@function101.com

Special Tips

- If not in use, you are suggested to disconnect the external AC power adapter or DC cable with the portable battery pack.
- If the battery pack's output voltage is lower than the rated voltage / working voltage of your devices, the devices might not be charged or fully charged. But if the battery pack's output voltage is higher than the rated voltage / working voltage of your devices, and if the management system cannot support such situation, it might overcharge your devices or damage the battery pack itself or even damage your devices.

5

How to Use

- How to Charge The Battery Pack itself
If the battery pack in a low power state, you should charge it by a PC or an external AC charger. Use the included USB Cable to charge the battery pack to a USB Wall adapter or computer USB port, to charge the battery pack by connecting it to a PC's USB port.
- How to Use the Battery Pack to Charge Other Devices
Choose the attached Apple Charging cable.
First select the appropriate iPhone Charging Cable.
Plug the iPhone USB cable to the Charge Cover's USB-A or USB-C output, Powerbank will discharge automatically after device is connected and the power indicators will turn off after approximately 5 seconds.

Storage and Maintenance

If you do not use the portable battery pack for a long time, please proceed according to below instructions once a year to maintain its normal functions. First make it fully charged, then discharge it by some outer devices, then recharge it to half capacity, and then keep it in a cool and dry place. It is recommended to perform a complete charging and discharging every 3 months so as to ensure the best status of the battery cells inside.

6

Safety Instructions

Do not throw the battery pack into fire or try to heat it up. In such situations it might burn, explode or release toxic gas.
Do not connect the positive and the negative poles directly.
Do not store the battery pack with other metallic materials.
Do not try to open the battery pack by yourself or break it.
Do not put the battery pack in water or make it wet, please keep it dry.
Do not use or stop using the battery pack if you notice it is leaking, heating itself, out of shape, smelling or any other abnormalities phenomenon.
Do not use the battery pack at higher temperature than 60°C. The recommended ambient temperature is between 15°C and 25°C.
Do not use any chargers not certified by the manufacture to charge the battery pack.

The names and contents of toxic and hazardous substances or elements in the product (Made in China)

Product Name	Toxic and Hazardous Substances or Elements					
	Pb	Hg	Cd	Cr(VI)	PBB	PBDE
Portable Battery Pack	X	O	O	O	O	O

O: Means (that) the content of this harmful substances in all the parts of homogeneous material is under S/T11363-2006 required standards.
X: Means (that) the content of this harmful substances at least in parts of a homogenous material is within S/T11363-2006 required standards.

7

Caution: The user is cautioned that changes or modifications not expressly approved by the party responsible for compliance could void the user's authority to operate the equipment.

Note: This equipment has been tested and found to comply with the limits for a Class B digital device, pursuant to part 15 of the FCC Rules. These limits are designed to provide reasonable protection against harmful interference in a residential installation. This equipment generates uses and can radiate radio frequency energy and, if not installed and used in accordance with the instructions, may cause harmful interference to radio communications. However, there is no guarantee that interference will not occur in a particular installation. If this equipment does cause harmful interference to radio or television reception, which can be determined by turning the equipment off and on, the user is encouraged to try to correct the interference by one or more of the following measures:
—Reorient or relocate the receiving antenna.
—Increase the separation between the equipment and receiver.
—Connect the equipment into an outlet on a circuit different from that to which the receiver is connected.
—Consult the dealer or an experienced radio/TV technician for help.

FCC Supplier's Declaration of Conformity
Brand name: Function 101
Model number: F101-BSCG8
This device complies with part 15 of the FCC Rules. Operation is subject to the following two conditions: (1) This device may not cause harmful interference, and (2) this device must accept any interference received, including interference that may cause undesired operation.
Supplier name: Function 101 Group LLC
Address: 7365 Commercial Way Suite 115 Henderson, Nevada 89011
Phone: (702) 944-0044

For additional support, please contact us at support@function101.com

8