

**Antenna specification**

**Antenna Sample Confirmation From**

<b>Name of supplier</b>	ShenZhen Aihui Technology Co. , Ltd				
<b>Customer name</b>	Ju ren				
<b>Sample name</b>	N5-NFC				
<b>Machine type</b>	Cell phones				
<b>Sample size</b>					
<b>Inspection item</b>	<b>Performance test</b>	<b>Visual inspection</b>	<b>Structure</b>	<b>In the news</b>	<b>Test results</b>
<b>Notes</b>					
<b>Quality Audit</b>		<b>Project Audit</b>		<b>Business confirmation</b>	
<b>The following is to be completed by the client</b>					

# Shenzhen Aihui Technology Co. , Ltd.

Customer feedback	
Customer signature/seal	date:

## Antenna Test Report

Test Unit: Shenzhen Aihui Technology Co. , Ltd.			
Materials	FPC		
Antenna form	PIFA	Polarization mode	Linear
Application scenario	NFC		
Working band	13.56Mhz	VSWR	≤2

# Shenzhen Aihui Technology Co. , Ltd.

Power	Max: 2W	Impedance	50Ω
dBi	≥-3dBi		
Test Equipment	HPE5071C、Shielding Room、3D automatic turntable		
<p><b>Antenna Description::</b></p> <p><b>1. Grounding processing and picture description: no</b></p> <p><b>2. Need to change the motherboard to match: no</b></p> <ul style="list-style-type: none"><li>● Test voltage: 3.6V, check the antenna contact is good before testing.</li><li>● The RF cable of the integrated tester is kept in a natural state and can not be curled.</li></ul> <p>Specification:test the specified power level, all indicators must conform to the specifications.</p>			

1.Project Image

2.Test Fixture

3.Antenna matching circuit

4.S11 test

5.Antenna passive efficiency and gain

6.Darkroom test equipment and data

7.Schematic diagram of antenna assembly

8.Antenna environment handling

9.Antenna mass production index

10.Structural drawing

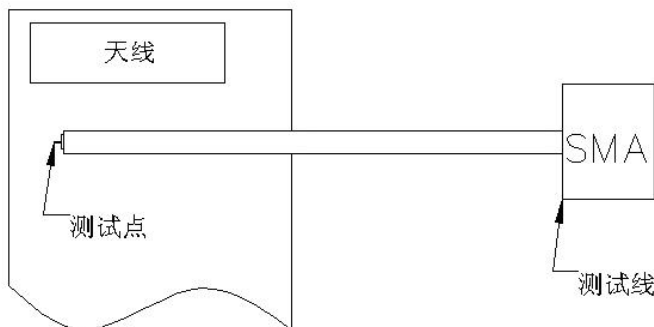
## 1. Project Image

The final verification antenna performance prototype in our company for at least one year, easy to analyze and solve the problem of antenna mass production, to ensure the quality of antenna shipment

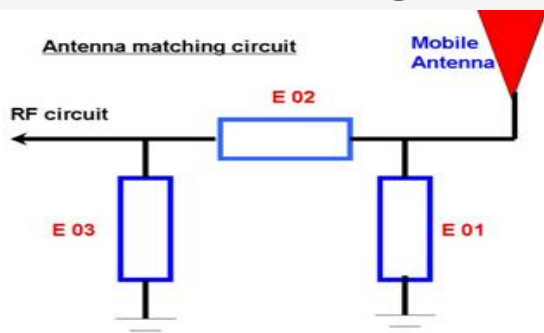
## 2. Test Fixture

Objective: to test the passive parameters of antenna as accurately as possible. Making

Method: the handset is made of a 50 ohm coaxial cable, one end of which is connected to the test point of the back end of the matching circuit of the handset motherboard (front end of the RF test hole) , and the other end is connected to the SMA joint. The diagram is as follows:



## 3. Antenna matching circuit



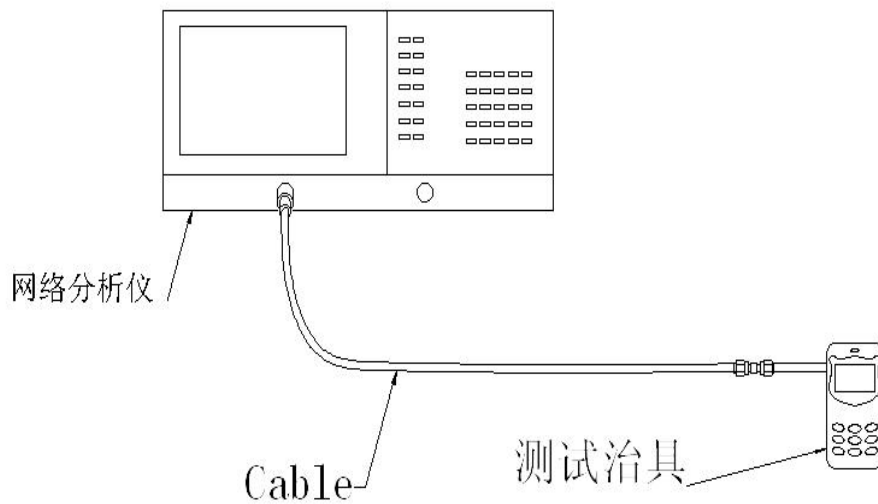
**Modify**

E01	E02	E03
No	No	No

Note: The match is unmodified.

## 4.S11 test

4.0 4.0s11 test method description of test equipment: Network Analyzer (E5071C) test method: a 50 ohm CABLE is used to export from the instrument test port. The SMA connector for connecting the handset is calibrated using a calibration piece, record the echo loss and standing wave ratio corresponding to the relevant frequency points. The test schematic is as follows:



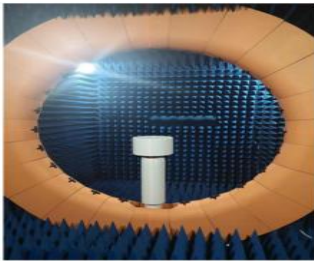
## 5.Darkroom test equipment and data

### 5.1 Test Equipment

Test system: shielded darkroom

The temperature was  $22^{\circ}\text{C} \pm 3^{\circ}\text{C}$  and the humidity was  $50\% \pm 15\%$

Test equipment: when testing passive data, use the Network analyzer AGILENTE5071C to test active data, use the omnibus CMW500



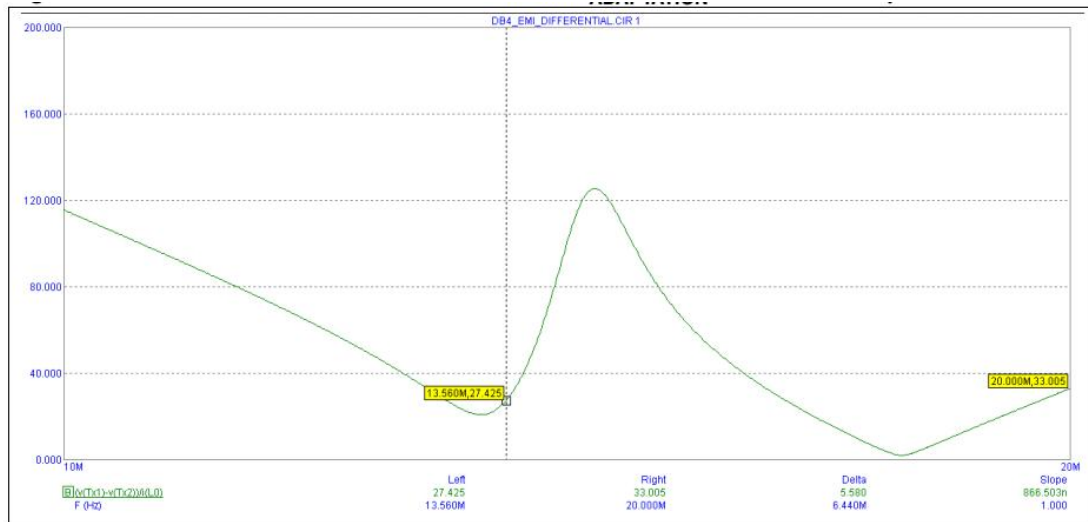
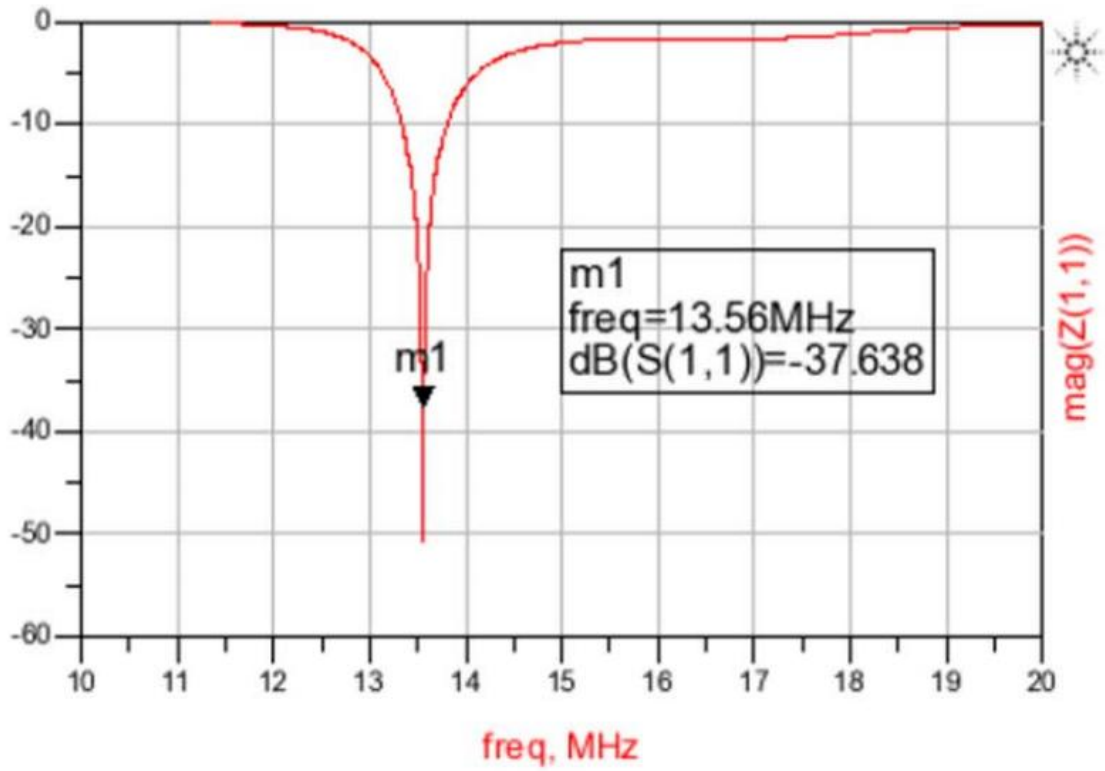
## 5.2 Field effect

Test Card is NFC test card, test distance is 4-5cm.





### 5.3 Standing wave ratio and return loss



6.The panel matches the change schematic

/

7.Antenna environment handling

/

The original environment, we do not do processing

## 8. Antenna mass production index

When the antenna is mass-produced, the standing wave ratio is taken as the mass-produced test standard.

Based on the differences of the project itself, the following criteria are given:

Frequency	Standard for volume production
13.56MHZ	VSWR (Mass Production performance) & LT; VSWR(recognition performance) 0.5

## 10. Structural drawings

# Shenzhen Aihui Technology Co. , Ltd.

