

***Fisherman* Max**

FD2

User Manual



SwellPro

Visit support.swellpro.com for the latest version of manuals and firmware.

v1.0.5 – 2023.07

Thank You

Thank you for purchasing the Fisherman Max. We have designed and manufactured the Fisherman Max to the highest quality standards.

Like any marine equipment, long-life and trouble-free operation rely on correct care and maintenance. With proper care and maintenance, you should enjoy your aircraft for many years. After flying in salt or contaminated water, always thoroughly rinse your Fisherman Max in fresh water immediately after use or before salt and sediment can dry inside moving parts.

It is important to familiarize yourself with the features of this unique aircraft by carefully studying this manual and particularly the priority sections indicated in the Table of Contents.

Visit support.swellpro.com for the latest manuals, software, and tips. Refer to the Version Information section at the end of this manual, which details additions and corrections to this manual.

Using this Manual

This document is designed to be printed or viewed on a computer or mobile device. If used electronically, you can search directly for terms like "Battery" to find references. Additionally, you can click on any topic in the Table of Contents to navigate directly to that topic.

FAQ

The user manual is the best companion while using the product. For the specific problem using the product, the FAQ can be another great resource for you to look at. Go to the SwellPro website, look for support > product support > the product > FAQ to find the FAQ page.

support.swellpro.com



Video Tutorials

Visit and subscribe to the SwellPro YouTube Channel for tutorial videos and product information. Scan this QR code with your camera phone to go to our channel.



SwellPro Community

Join our exclusive SwellPro Community to post feedback and share your experience with SwellPro products with other users like you.

<https://support.swellpro.com/hc/en-us/community/topics>

Social Media

Join our Facebook page to meet other people who share their adventures with SwellPro.

www.facebook.com/SwellPro/



Register Product Warranty

Please register your product on the SwellPro website as soon as possible to ensure warranty coverage.

Download the App

Get the most from your Fisherman Max by flying with the FDFly App. Download the App on the App Store/Google Play, or directly from the SwellPro website:

support.swellpro.com



Firmware Update

SwellPro products are constantly improving. We recommend you visit support.swellpro.com to check and update the latest firmware for your product.

Basic vs Advanced Version

Fisherman Max has two versions: the basic version and the advanced version. The advanced version of Fisherman Max has a gimbal camera and an advanced version remote controller with image transmission capability. If you bought a basic version of Fisherman Max, you could still upgrade to the advanced version. Go to the SwellPro store and buy the advanced version package and upgrade yourself.

Content

Thank You	2
Using this Manual	2
FAQ	2
Video Tutorials	2
SwellPro Community	3
Social Media	3
Register Product Warranty	3
Download the App	3
Firmware Update	4
Basic vs Advanced Version	4
Content	5
Aircraft	9
Aircraft Diagram	9
Aircraft Status Lights	10
Install	11
Fold/Unfold Arm	11
Install Propeller	12
Install Antenna	13
Install /Remove Flight Battery	13
Install Floating Device	14
Install Emergency Buoy	15
Power ON/OFF	18
Flight Battery	18
WARNING	19
Charging	19
Battery Check	20
Battery Repair	21

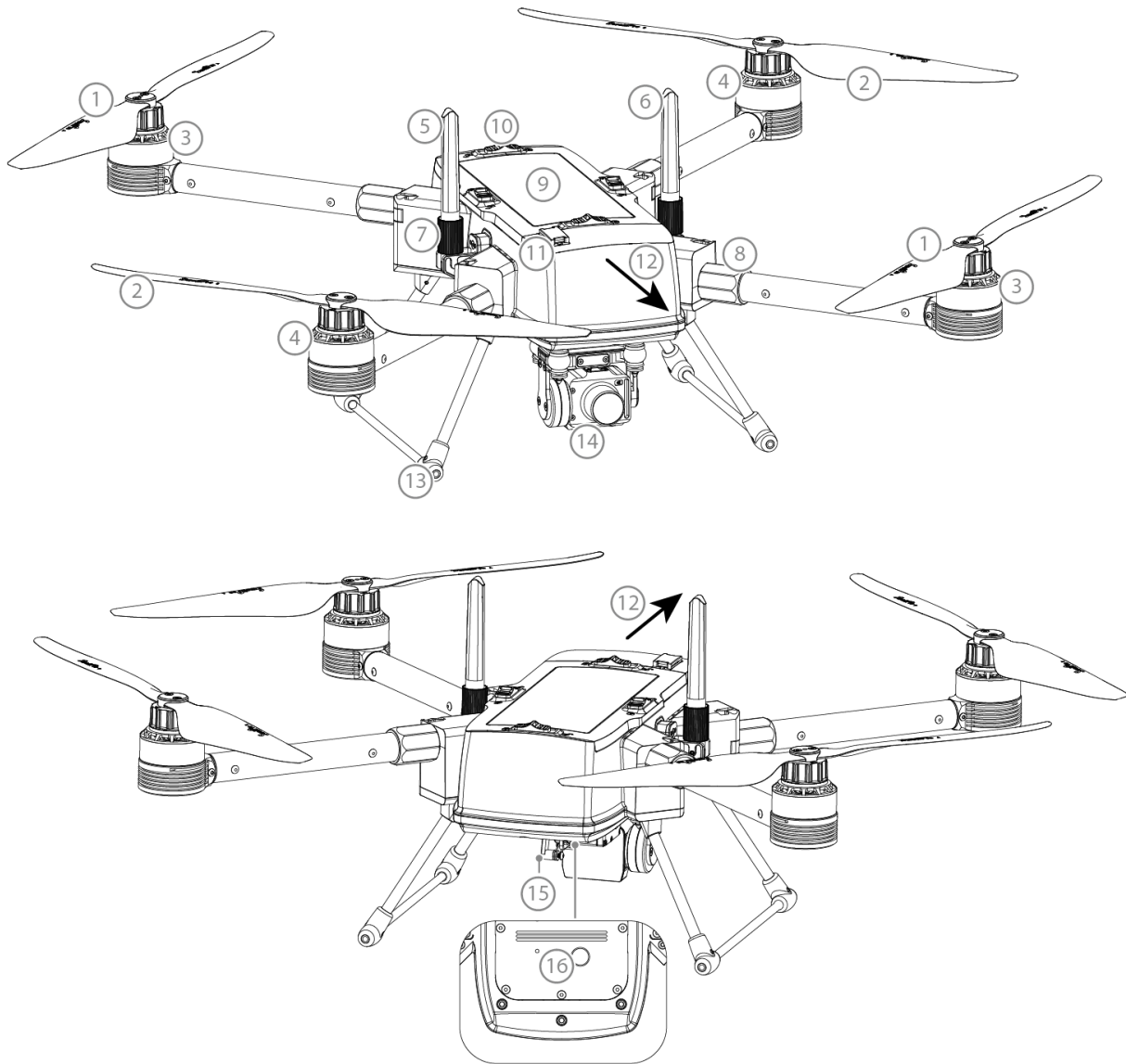
Battery Storage	22
Barometric Membrane	23
Remote Controller	25
Remote Controller Diagram	25
Remote Controller Screen	26
Advanced Version	27
Basic Version	28
Remote Controller Status Lights	30
Display Settings	30
Turn ON/OFF	31
Adjust Settings Menu	31
Phone Mount	32
Install	32
Use	32
Image Transmission Settings	32
Power ON/OFF	33
Charging	34
Pairing	34
Control Sticks Calibration	35
Optimal Signal Transmission	36
Remote Controller Antenna Orientation	36
Aircraft Antenna Blind Spot	36
Reset Wi-Fi Password	38
Flight	39
Flight Safety and Environment	39
Flight Restrictions	40
Pre-Flight Checklist	40
Basic Flight Steps	41
Control the Aircraft	42

Starting and Stopping the Motors (Arming)	42
Starting (Arming) Motors	42
Stopping Motors	43
Stopping Motors Mid-flight	43
Takeoff and Landing	43
Takeoff	43
Landing	44
Flight Modes	44
Low Battery Warnings	45
Level 1 Low Battery Warning	45
Level 2 Low Battery Warnings	45
Return to Home	45
RTH Height	47
Failsafe RTH	47
Low Battery RTH	47
Low Battery Payload Release	47
Low Battery Landing	47
Water Takeoff and Landing	48
Boat Takeoff and Landing	48
PowerFlip	49
Gimbal Camera	50
Control	50
Camera Control	50
Gimbal Control	50
Camera Settings	51
Photos Setting	52
Videos Setting	52
Gallery	52
Camera Setting	53
Camera Status Lights	54

microSD Card	55
Payload Release	56
App	57
Download the App	57
Connect	57
Home Interface	58
Main Interface	59
Appendix	61
Specification	61
Warranty Information	64
Battery Care and Maintenance	64
Precautions for low-temperature use	65
Battery Charging	65
Battery Storage and Transportation	65
Battery Disposal	66
Maintenance	66
Disclaimer and Warning	66
Version Information	68

Aircraft

Aircraft Diagram

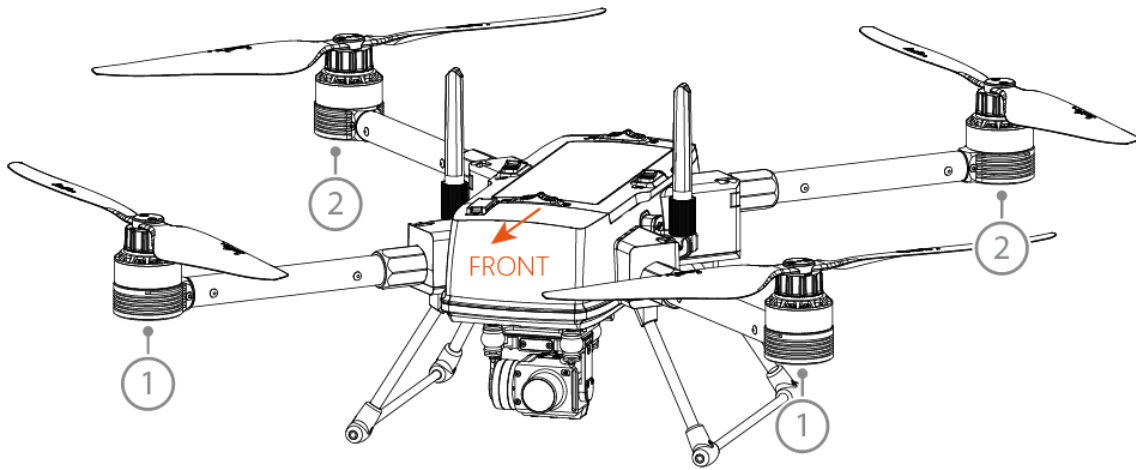


- 1. Propeller A
- 2. Propeller B
- 3. Motor A
- 4. Motor B
- 5. 5.8G Antenna
- 6. 2.4G Antenna

- 7. Antenna Mount
- 8. Arm Mount
- 9. Flight Battery
- 10. Battery Latch
- 11. Barometric Membrane
- 12. Front

- 13. Landing Gear
- 14. Gimbal Camera
- 15. Payload Release
- 16. Power Button

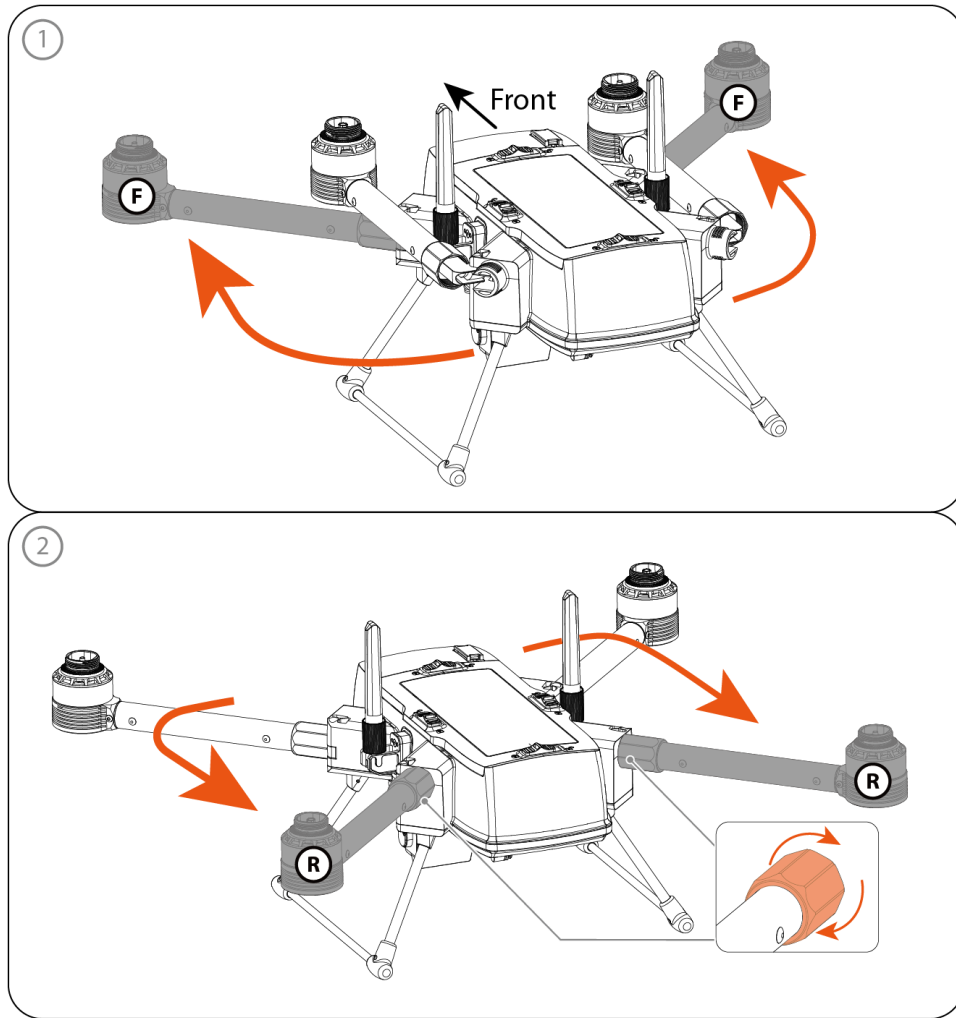
Aircraft Status Lights



1. Front	2. Rear		
● —		Solid Red	Front of aircraft
● ...	● ...	Red/Green Flash Alternately	Perform self-diagnostic test
	● ● ● ...	Flash Green Quickly	Remote controller disconnected
● ...	● ...	Red/Green Flash Quickly	Critical error (e.g. overload)
● ● ● ...		Flash Red Quickly	Low battery warning (level 2)
● ● ● ...		Flash Red Slowly	Low battery warning (level 1)
	● ● ● ...	Flash Green Slowly	No GPS signal
	● —	Solid Green	Ready to fly

Install

Fold/Unfold Arm



Unfold

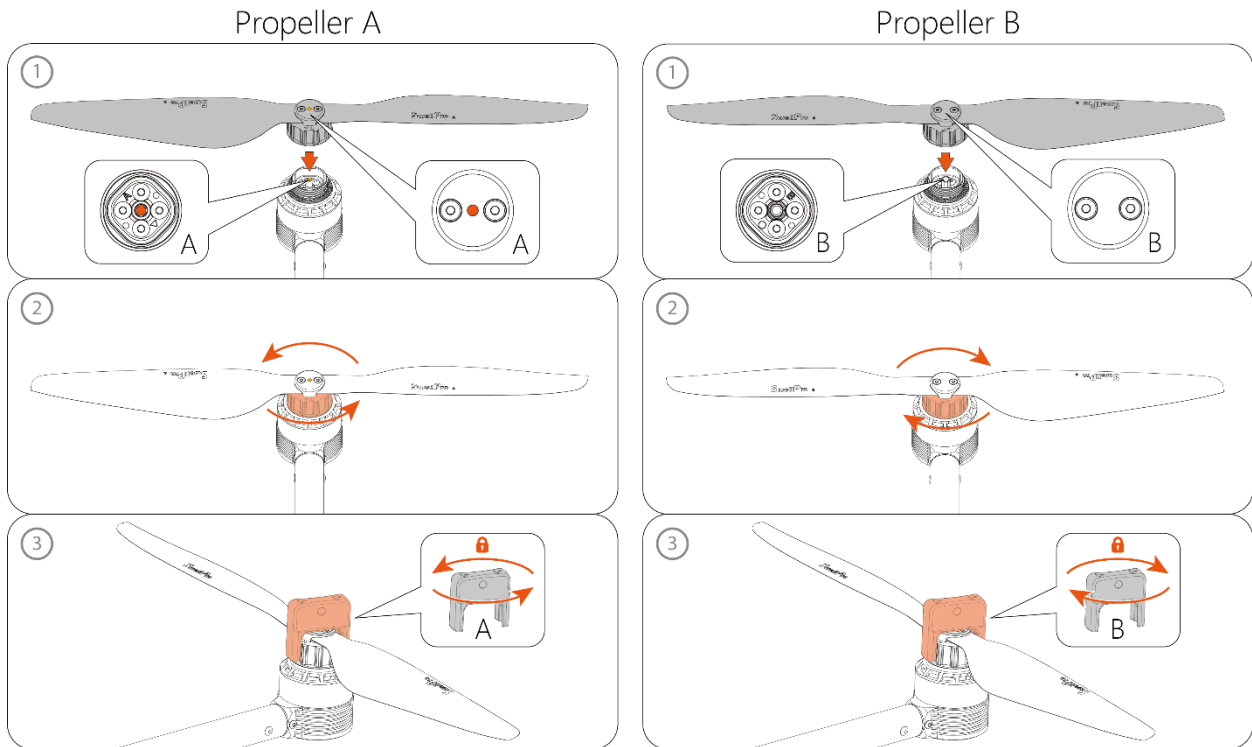
Unfold the front arms **(F)**, then the rear arms **(R)**. Tighten the mount on each arm.
⚠ Ensure all 4 mounts are tightened before each flight.

Fold

Loosen the mount on each arm. Fold the rear arms **(R)**, then the front arms **(F)**.

Install Propeller

There are two pairs of propellers **A/B**.



1. Place propeller A on motor A. /Place propeller B on motor B.
2. Hold the motor firmly with one hand, rotate the propeller mount with the other hand.
3. Lock the propeller mount with the in-the-box tool shown above.

⚠ Always place one hand under the motor to support it when installing or removing propellers. Failure to provide this support could result in bending or breaking the landing gear.

⚠ The propellers are sharp, please be careful to avoid injury.

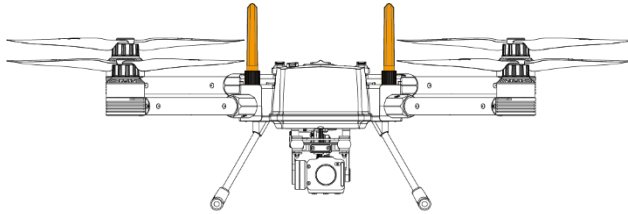
⚠ Do not use broken propellers. Replace the propeller if there is any damage or wear to the propeller.

⚠ Ensure there is no wobble on the propeller after you install it. If you correctly install the propeller, the propeller still wobbles, you might need to tighten the screws on the propeller base.

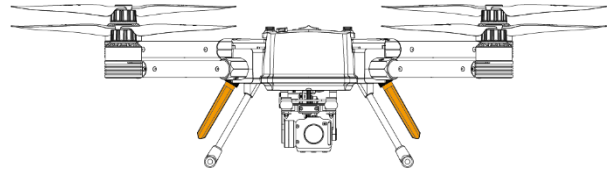
⚠ Before each flight, please check that the propellers are smooth all over and are correctly installed and securely fastened. Spin each propeller by hand to check that the motors are free of sand or salt and spin freely.

Install Antenna

Adjust the antenna's orientation to ensure a stable connection for your flight. To install the antenna: adjust the antenna position, then tighten the knob.

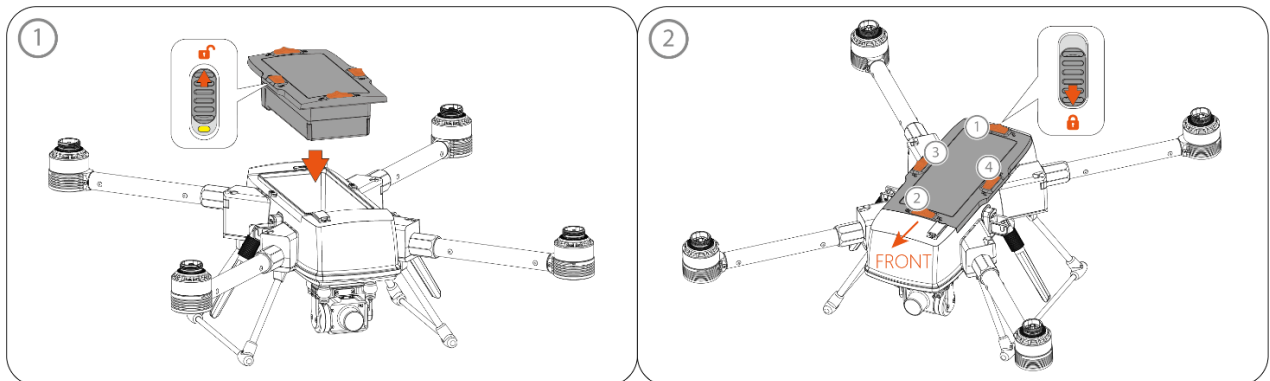


Antenna oriented upward: Improves reception when the aircraft is flying close to the water surface. (Use this antenna orientation if you plan on landing on water)



Antenna oriented downwards: Improves reception when the aircraft is flying at a high altitude.

Install /Remove Flight Battery



1. Place the flight battery into the battery compartment.

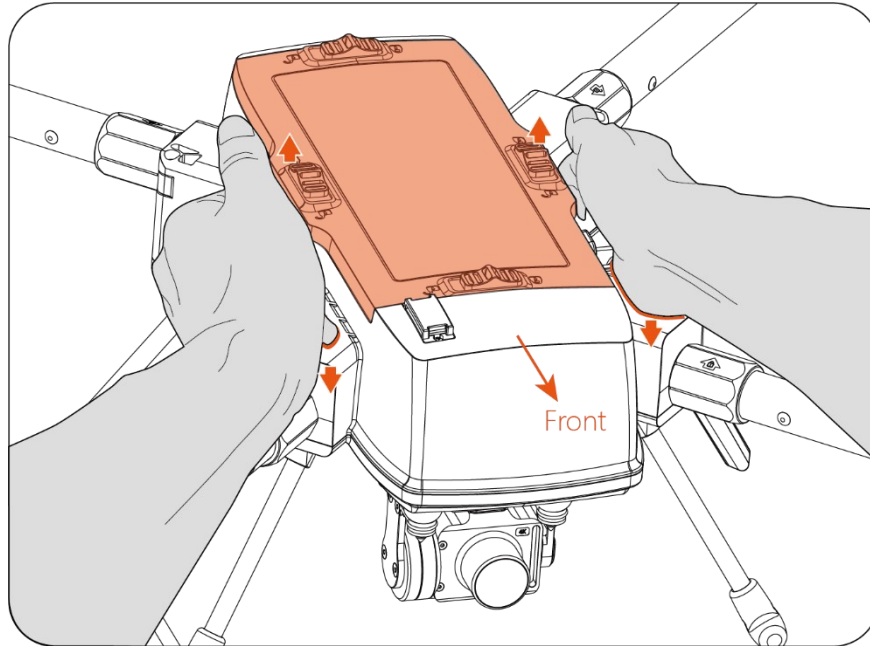
Ensure to align the battery slot to the pin connector inside the compartment.

2. Lock the four latches from 1 to 4 (shown in the picture). **Tips: Press one thumb down next to the lock, and the other thumb pushes the lock to unlock.**

To remove the flight battery:

1. Unlock the four latches from 4 to 1 (shown in the picture).

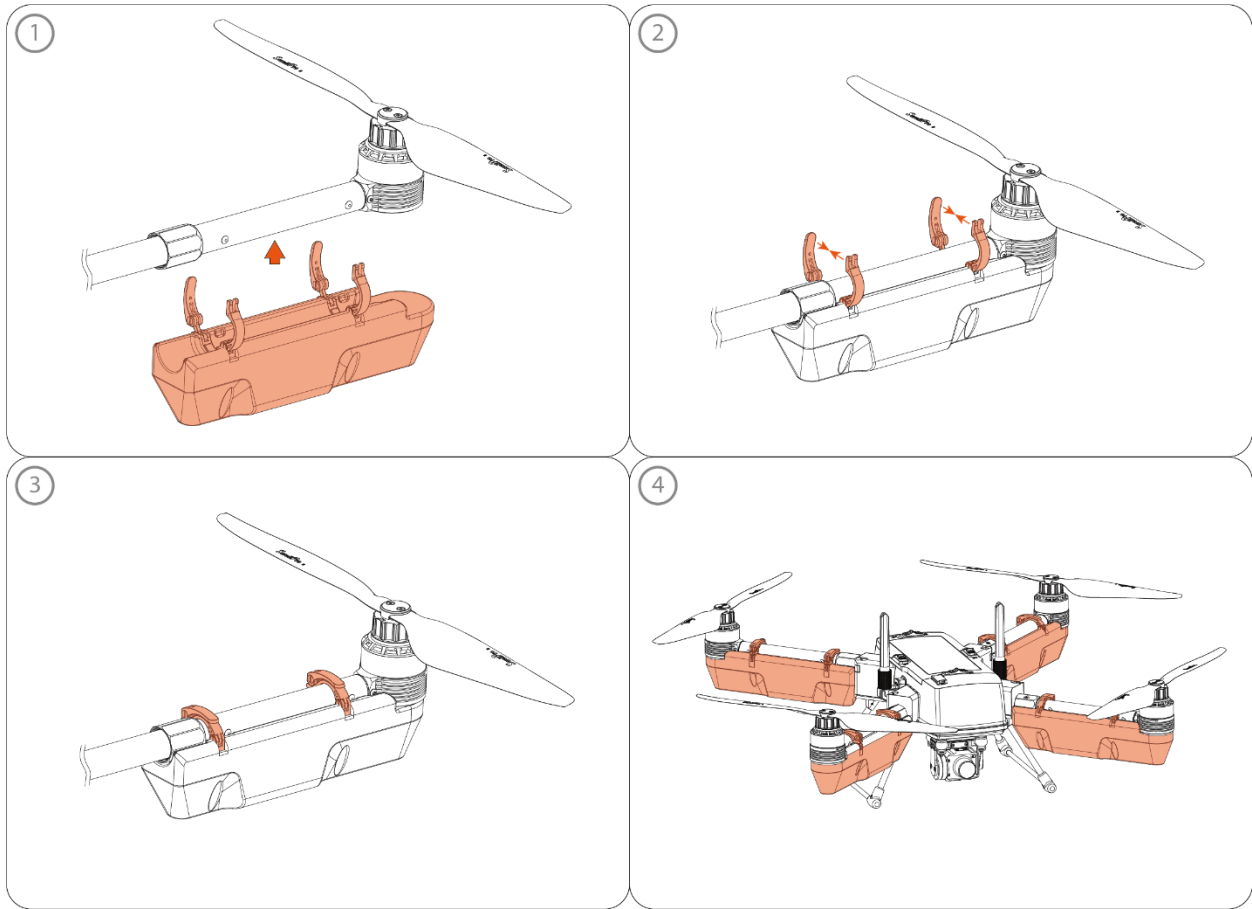
2. Press two thumbs on the aircraft's arms and use your two index fingers to lift up and remove the battery.



-
- ⚠ Ensure four latches are locked before every flight.**
 - ⚠ Ensure four latches are unlocked before removing the battery.**
 - ⚠ DO NOT press the frame too hard, which would result in damage to the landing gear.**
 - ⚠ Before placing the battery, ensure the battery and the battery compartment are clean and free of dust and water droplets.**
-

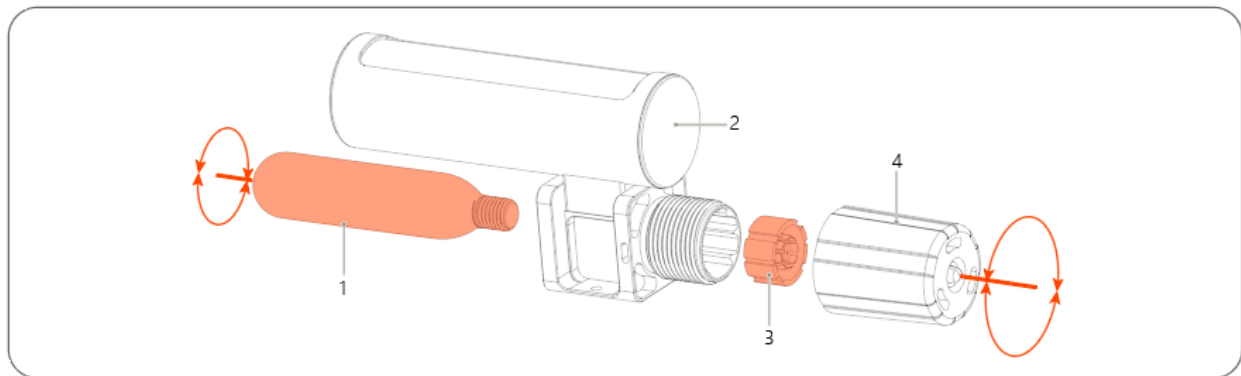
Install Floating Device

- ⚠ ONLY PERFORM WATER LANDING WHEN THE FISHERMAN MAX IS EQUIPPED WITH THE FLOATING DEVICE. IF LANDING THE FISHERMAN MAX ON WATER WITHOUT EQUIPPING THE FLOATING DEVICE, THE AIRCRAFT WILL SINK INTO THE WATER.**
- ⚠ DO NOT PERFORM WATER LANDING IF THE FISHERMAN MAX IS EQUIPPED WITH THE EMERGENCY BUOY. THE EMERGENCY BUOY WILL AUTOMATICALLY ACTIVATE WHEN IT COMES INTO CONTACT WITH WATER.**
- ⚠ Flying Fisherman Max with the floating device equipped will diminish the flight performance, including decreased flight time, a lower wind resistance rating, etc. Please fly with caution.**



Place the foam under the aircraft's arm. Lock the latches. Do it for each of the 4 arms.

Install Emergency Buoy



1. Gas Cylinder 2. Airbag Compartment 3. Tablet 4. Protective Cover

Assemble the emergency buoy:

1. Open the protective cover (4).
2. Place the tablet (3) inside the valve (do not let the tablet get into contact with water).
3. Close the protective cover(4).
4. Install the gas cylinder (1) into the valve.

💡 Purchase the gas cylinder on your local shop (12g CO2 gas cylinder with 3/8-24UNF thread).

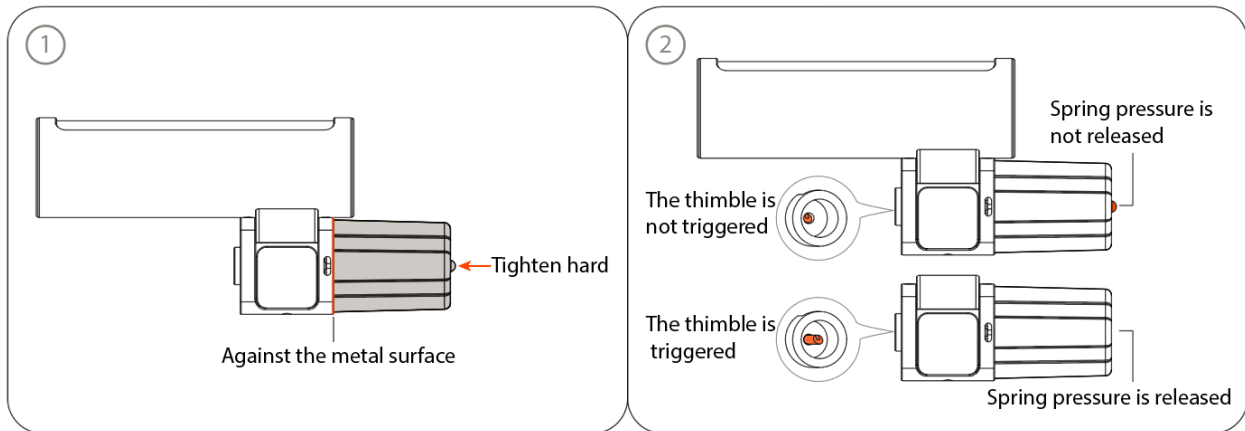
💡 Gas cylinder and tablet are single use, please replace them after use.

💡 When the emergency buoy leaves the factory, the tablet is not installed, please install the tablet and gas cylinder before use.

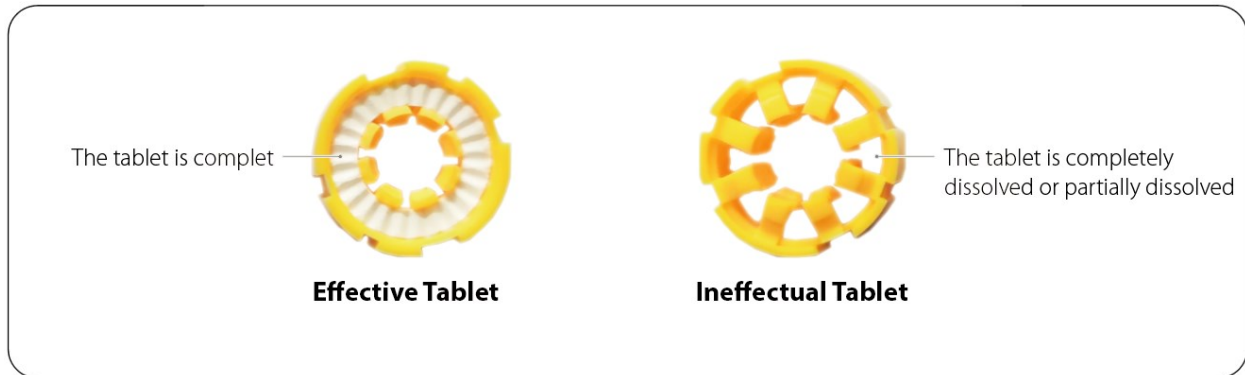
Installation notes:

⚠️ After installing the tablet, tighten the protective cover so that its edge is tight against the metal surface of the emergency buoy (As shown in figure ① below).

⚠️ When installing the gas cylinder, please check whether the thimble is triggered (As shown in figure ②). If the thimble is triggered, please replace the tablet before installing the gas cylinder.



Tablet use notes:



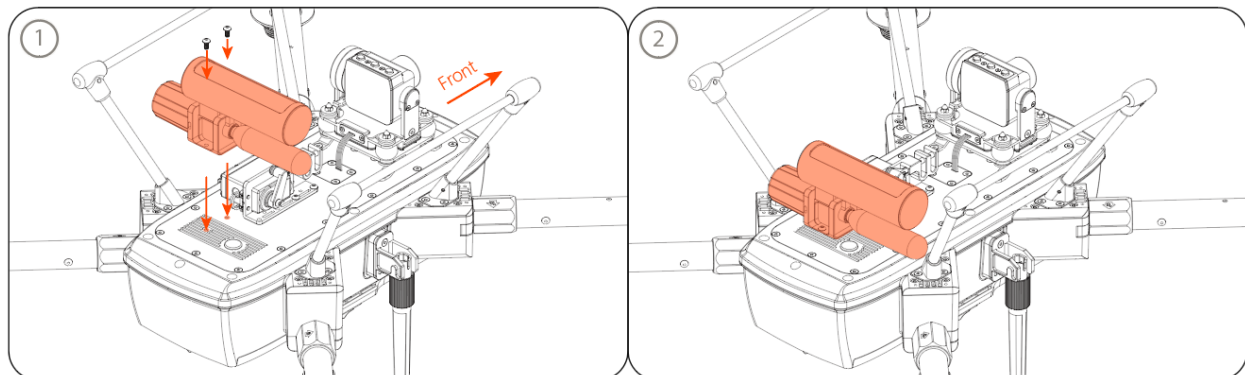
⚠️ **Before using please check whether the tablet is effective. If the tablet is invalid, please replace a new one. (As above picture)**

⚠️ **After flight, please remove the unused tablet and store it sealed to prevent it from being damaged by moisture.**

⚠️ **Safety verification: In order to ensure this device works well, after receiving it, the user needs to conduct a complete test on the ground. After successful testing, this device can only be put into practical use. Assemble the emergency buoy and put it in the water; If the airbag of the emergency buoy is inflated normally, it proves that the purchased gas cylinder and tablet works well, the user is familiar with the usage method of the emergency buoy.**

Disclaimer: The emergency buoy is an optional accessory that has undergone qualification verification before leaving factory and is fully reminded of its operation method in the user manual. If the user has any potential losses caused by improper use, the user shall bear them on their own.

After safety verification, be sure to **replace the tablet and gas cylinder**, please install the emergency buoy as follows:



Turn over the aircraft, then install the emergency buoy with 2 screws (included in the box).

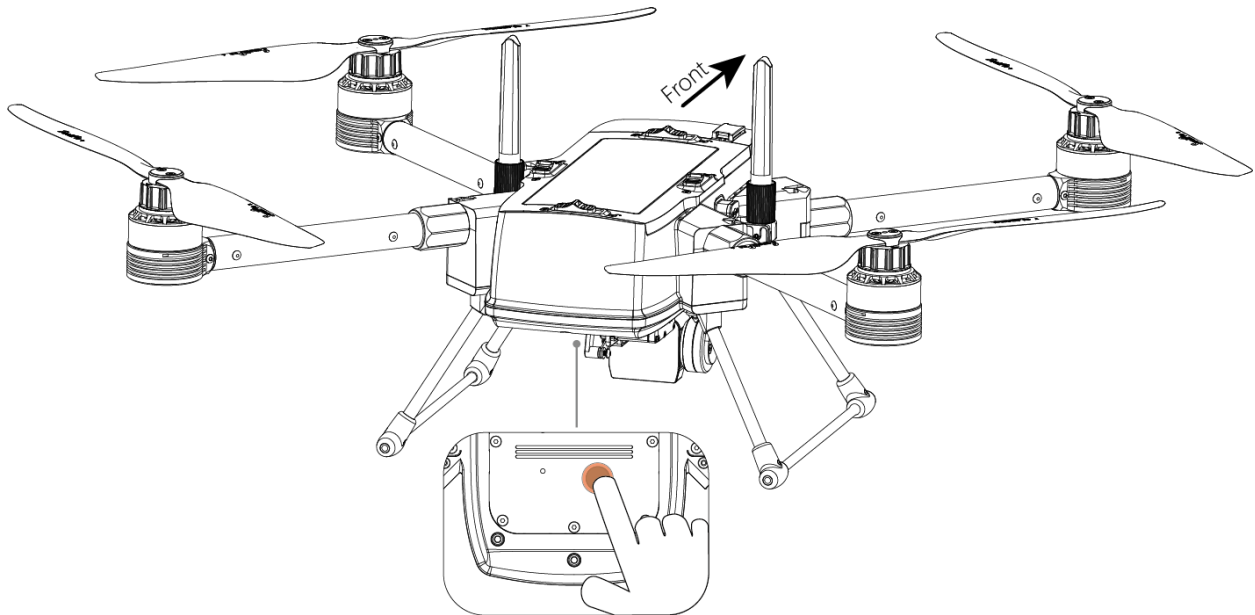
After using:

1. Remove the emergency buoy and rinse it with clean water (you can choose not to rinse it), and then remove the used gas cylinder.
2. Take out the used tablet, dry the air bag to discharge the gas, fold it according to the size of the entrance of the cabin and stuff it into the storage compartment.

⚠ Do not remove the gas cylinder and tablet before cleaning, otherwise water will enter the airbag and it will not be easy to discharge.

⚠ Do not let the thimble come into contact with water, otherwise the impact part of the thimble is prone to rust, which will affect the next use.

Power ON/OFF



Short press the power button once, then long press for 2 seconds.

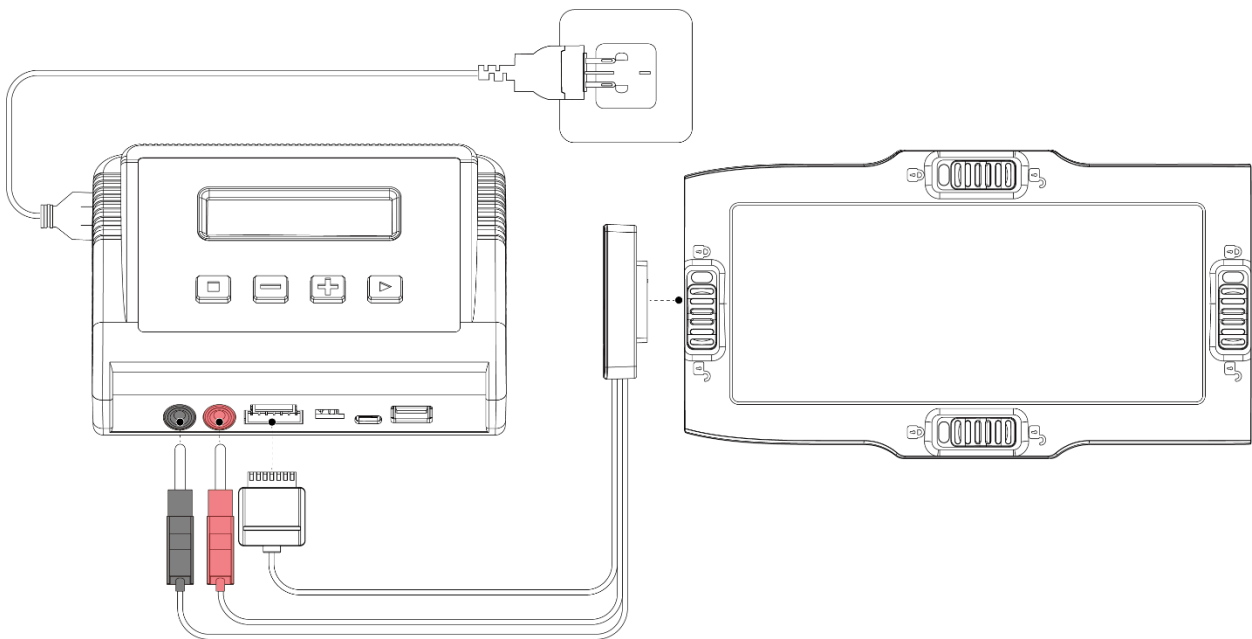
Flight Battery



Ensure to charge the battery right after you receive the product to prevent the possible battery over-discharge during shipping.

WARNING

- Keep batteries **AWAY FROM WATER AND DUST**.
- Store batteries in a **DRY, COOL** place.
- **DO NOT** use swollen, leaking, damaged, batteries.
- **STOP USING** the battery when the battery slots show any signs of burn (blackening) or corrosiveness.
- **DO NOT** charge the battery in any area with a potentially explosive atmosphere, including fueling areas or areas which contain chemicals or particles such as grain, dust, or metal powders.

Charging



1. Connect the balance charger to a power outlet. Plug the balance cable (white) and the charging cables (black and red) into the balance charger. Then connect the charging pad to the battery slot.
2. Turn on the power switch on the back of the charger.
3. Press  to enter.
4. Press  again to charge the battery.

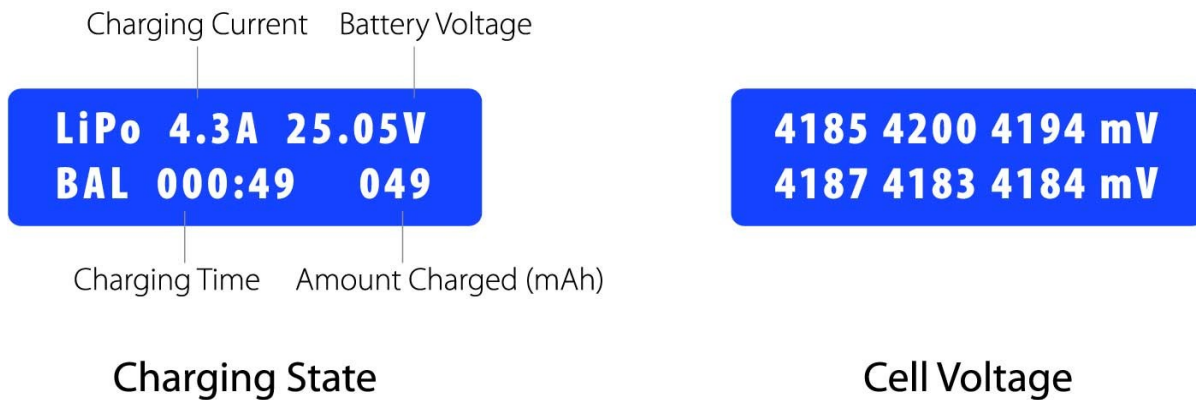
To stop charging: Press  .

When charging is completed (battery voltage about 25.2V), the charger would beep and stop charging.

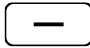
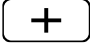
Charging State

While charging, press  to check cell voltage.

Charger would stop charging when the cell voltage reaches 4.2V (± 0.02).



Adjust Charging Current

Before entering charging, you can adjust the charging current by pressing  and . The charging current can be set between 0.5 A to 8 A.






 Lower the charging current to extend battery health. Increase the charging current to increase the charging speed.

Battery Check

Check the battery status by switching to the battery check function.

To check battery status:

1. Connect the charger and battery, then turn on the charger.
2. Press  to switch to the battery check function.
3. Press  to perform battery check. Press  to view cell voltage.

Exit: Press .

LiPo Check
22.2V(6S)

Battery Type & Cells Battery Voltage

LiPo-6S 25.05V
Max diff: 34mV

Cells Voltage Difference

Battery Check

4185 4200 4194 mV
4187 4183 4184 mV



Cell Voltage

Battery Repair

Repair the battery if:

- The charger indicates the battery needs to be repaired.
- Battery voltage is lower than 19.2V.
- Cell voltage is lower than 3.2V.
- The cell voltage difference is higher than 60mV.

To repair the battery:

1. Connect the charger and battery, and turn on the charger.
2. Press  to switch to the repair function.
3. Press  to enter.

4. Press  again to repair.

To stop repairing: Press  .

When completed, the charger would beep and stop.






Battery Storage

Before putting the battery in storage, you should always set the battery to the stored voltage. Stored voltage allows the battery to keep healthy while not used.

⚠ If the flight battery is not being used for a long period of time, ensure to set the battery to store voltage (22.5V-23.8V) using the method described below. To prevent the battery from over-discharge, set the flight battery to store voltage every 3 months. For other battery maintenance guides, please check the Appendix Battery Care and Maintenance part.

To set the battery to stored voltage:

1. Connect the charger and battery, and turn on the charger.
2. Press  to switch to the storage function.
3. Press  to enter.
4. Press  again to start.

To stop: Press  .

When completed, the charger would beep and stop.

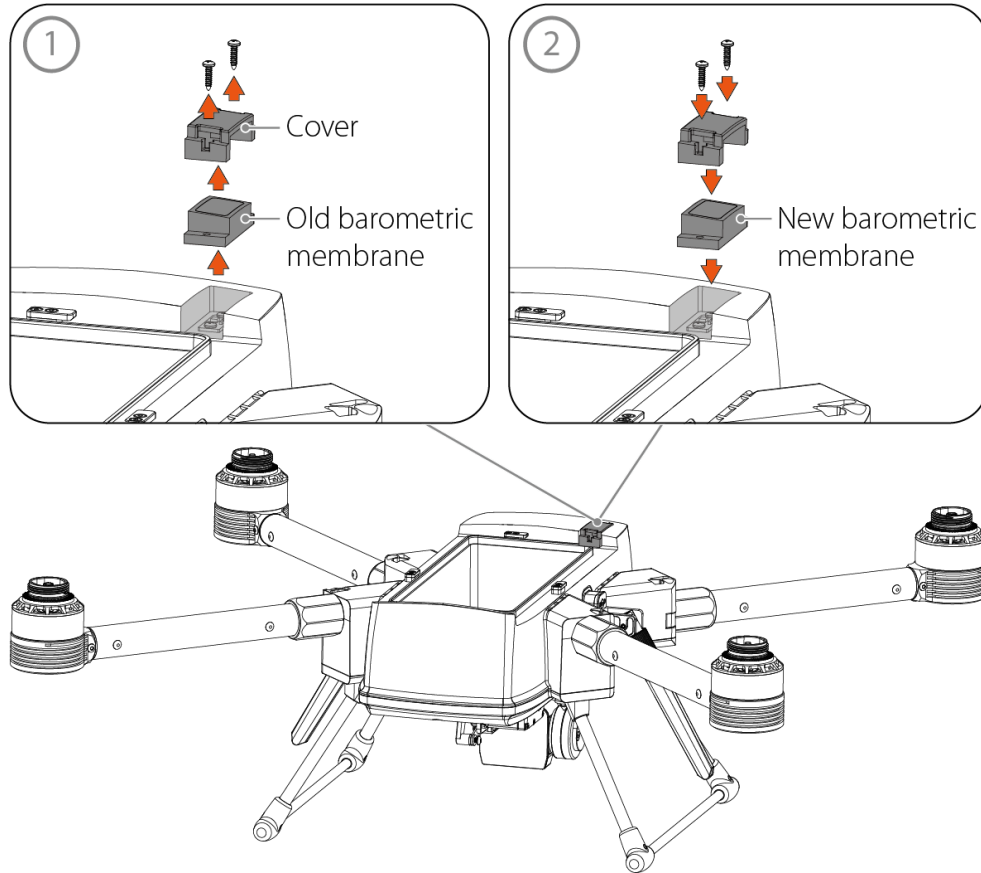
LiPo Storage
2.0A 3850mV/S

Setting Current Battery Voltage
LiPo 4.3A 25.05V
BAL 000:49 049
Setting Time Amount Charged (mAh)

Barometric Membrane

The waterproof barometric membrane is SwellPro's featured technology. It allows air to pass through the internal chamber of the aircraft to ensure the barometer's proper functioning yet keeps the water from getting in to ensure the Fisherman Max's all-waterproof design. The barometric membrane is delicate yet an extremely important part of proper flying and waterproofing. Therefore, you should pay special attention to the proper use of barometric membranes during your operation.

- **Always check the barometric membrane to ensure no damage is observed before flying.**
- **Rinse the barometric membrane thoroughly with fresh water every time after flying near the water environment.**
- **If you constantly fly your aircraft in a saltwater environment (sea), it is recommended to change the barometric membrane once every 3 months, since the salt particles can clog the tiny holes on the membrane.**
- **If the aircraft is not flying stably during hovering, or the aircraft is not flying normally during ascending or descending, the barometric membrane might be damaged. Please replace the barometric membrane.**
- **If the barometric membrane is damaged or shows signs of wear and tear, replacement of the waterproof barometric membrane is required.**



To replace the barometric membrane:

1. Unscrew and take off the cover.
2. Peel off the old barometric membrane module. Clean the attached surface and make sure there is no residue.
3. Remove the 3M paper from the barometric membrane module and press it firmly on the barometric vent to ensure a tight seal.

Ensure the barometric membrane is tightly sealed when applying.

Ensure the foam is attached to the barometric membrane module.

4. Place and screw the cover back.

Aircraft

FCC WARNING

This device complies with part 15 of the FCC Rules. Operation is subject to the following two conditions: (1) this device may not cause harmful interference, and (2) this device must accept any interference received, including interference that may cause undesired operation. Any changes or modifications not expressly approved by the party responsible for compliance could void the user's authority to operate the equipment.

NOTE: This equipment has been tested and found to comply with the limits for a Class B digital device, pursuant to Part 15 of the FCC Rules. These limits are designed to provide reasonable protection against harmful interference in a residential installation. This equipment generates, uses and can radiate radio frequency energy and, if not installed and used in accordance with the instructions, may cause harmful interference to radio communications. However, there is no guarantee that interference will not occur in a particular installation.

If this equipment does cause harmful interference to radio or television reception, which can be determined by turning the equipment off and on, the user is encouraged to try to correct the interference by one or more of the following measures:

- Reorient or relocate the receiving antenna.
- Increase the separation between the equipment and receiver.
- Connect the equipment into an outlet on a circuit different from that to which the receiver is connected.
- Consult the dealer or an experienced radio/TV technician for help.

To maintain compliance with FCC's RF Exposure guidelines, This equipment should be installed and operated with minimum distance between 20cm the radiator your body: Use only the supplied antenna.

- | | | |
|---------------------------|---------------------------|--------------------------|
| 3. Gimbal Up Button | 9. Control Stick (Left) | Attachment Ring |
| 4. Gimbal Down Button | 10. Screen | 15. Power Button |
| 5. Camera Switch | 11. Control Stick (Right) | 16. Status Light (Right) |
| 6. Payload Release Switch | 12. Status Light (Left) | 17. USB-C Port |

Remote Controller Screen

💡 There is a shading screen protector inside the box. You can apply it to the remote controller screen to have a clearer view in the bright outdoor environment. The shading screen protector allows you to view the screen better under bright light, but it will reduce the brightness of the screen.

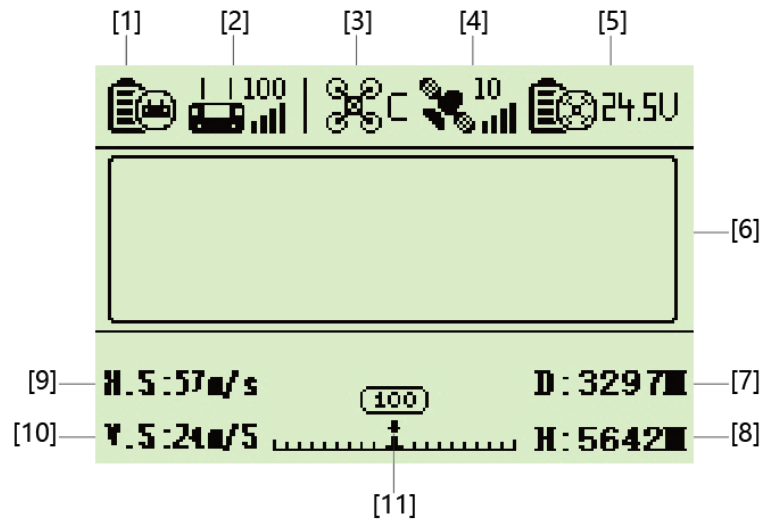
💡 If the outdoor environment is too bright to view the remote controller screen, you can also install a shading cover (sold separately) on the remote controller.

Advanced Version



💡 **Flight Mode: G – GPS Mode; C – Cruise Mode; A – ATTI Mode**

Basic Version



【1】 Battery Level (Remote controller)

【2】 Remote Control Signal Status

【3】 Flight Mode

【4】 GPS Signal Status

【5】 Aircraft Battery Voltage

【6】 Prompt Message Windows

【7】 Distance

【8】 Height

【9】 Horizontal Speed

【10】 Vertical Speed

【11】 Pan Angle

【12】 Roll Angle

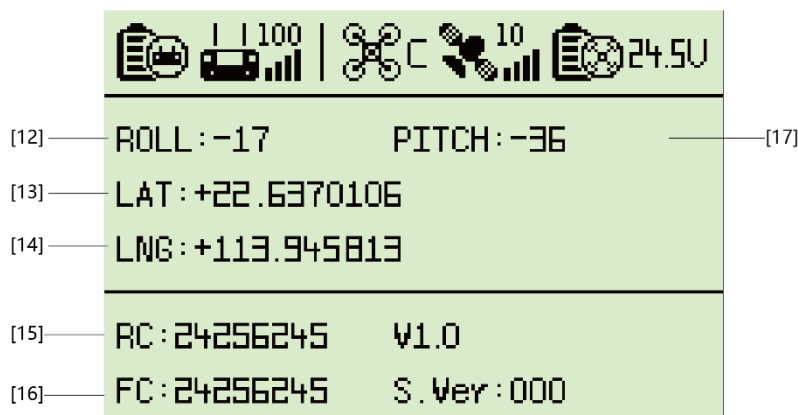
【13】 Latitude

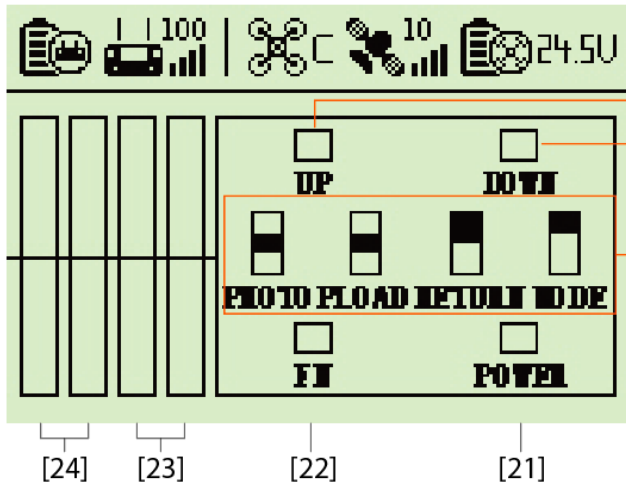
【14】 Longitude

【15】 Remote Controller Serial Number & Firmware Version Number

【16】 Aircraft Serial Number & Firmware Version Number

【17】 Pitch Angle





【18】 Gimbal Up Status

[18] 【19】 Gimbal Down Status

[19]

【20】 Switch Status

[20] 【21】 Power Button Status

【22】 Function Button

Status

【23】 Right Control Stick

Status

【24】 Left Control Stick

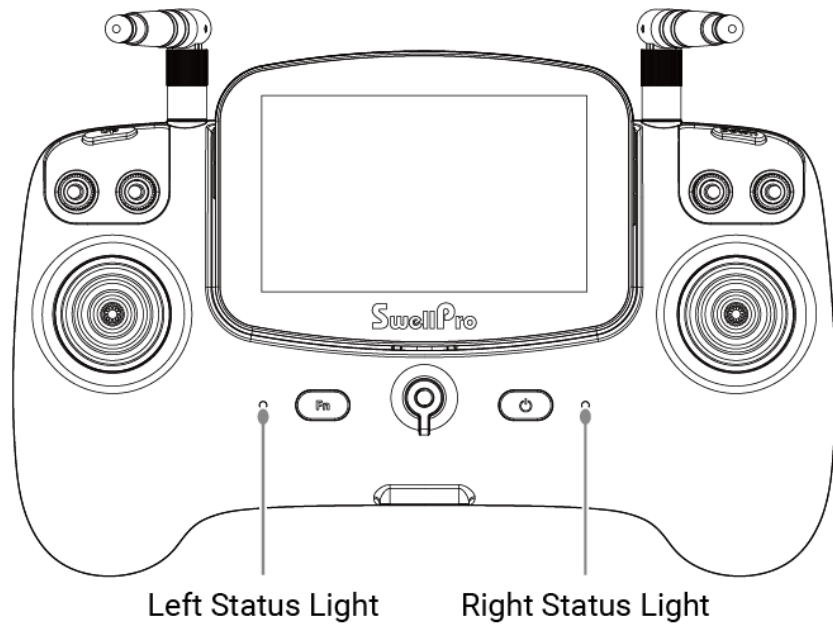
Status

💡 Press the power button on the remote controller to switch the interface.

💡 [18] – [24] indicate the control status of the remote controller. Use it to check the status and functionality of all the switches. Use [23] and [24] to check if the control sticks are in the center position when rested in the middle, and check whether it needs to perform control stick calibration.

💡 Flight Mode: G – GPS Mode; C – Cruise Mode; A – ATTI Mode

Remote Controller Status Lights



Left Status Light

	Solid Green	Aircraft Connected
	Red/Green Flash Alternatively	Pairing / Reseting WiFi / Calibrating Control Sticks
	Solid Red	Aircraft Disconnected

Right Status Light


	Solid Green	Battery Level Sufficient / Fully Charged
	Solid Red	RC Low Battery (Level 1) / Charging
	Flash Red	RC Low Battery (Level 2, power off automatically in 20 secs)

Display Settings

This section is only for the advanced version remote controller.

There are buttons on each side of the display to adjust the settings of the display.



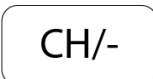
Turn ON/OFF

Press  for 2 seconds to turn ON/OFF the display.

Adjust Settings Menu

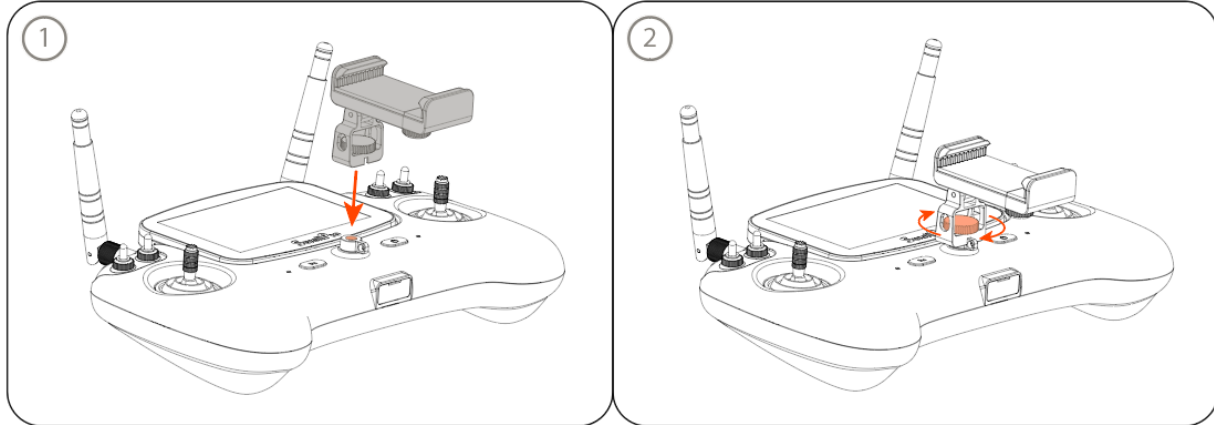


Adjust the display **brightness**, **contrast**, **saturation**, **system language**, and **reset** by accessing the settings menu.

	Enter settings menu / Switch setting
	Adjust setting (+)
	Adjust setting (-)

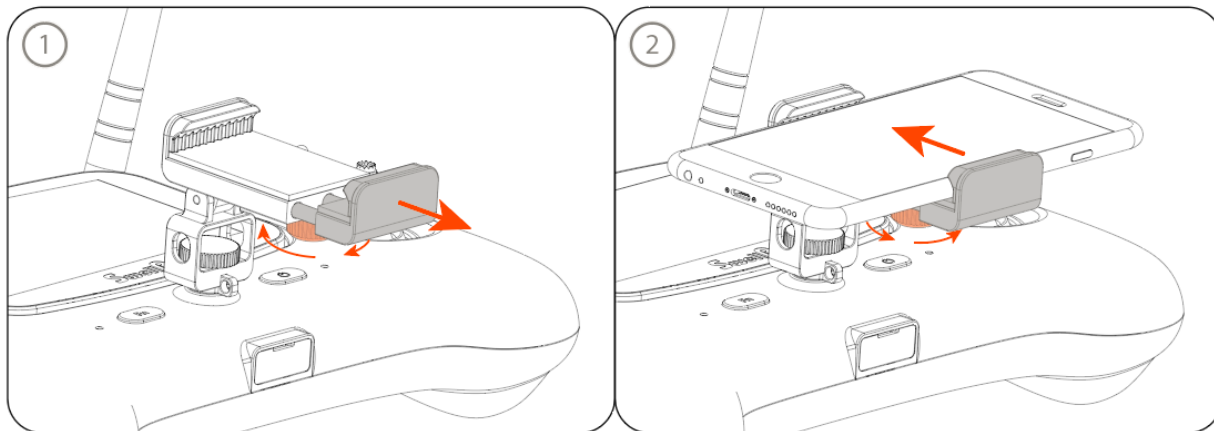
Phone Mount

Install



Please take out the phone mount from the package, align the fixing screw with the installation base of the remote control; rotate the fixing screw and lock it to complete the installation. (As above pictures)

Use



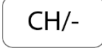
Loose the knob at the back of the mount, place your phone on the mount, then retighten the knob.

Image Transmission Settings

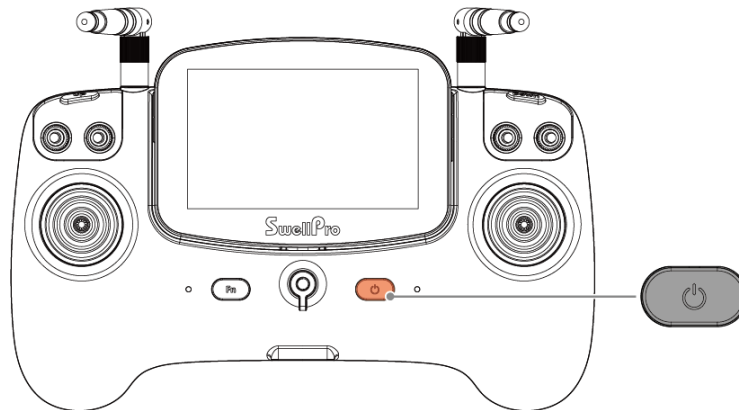
This section is only for the advanced version remote controller.

If there is a specific channel you want your Fisherman Max to operate on, or there is strong interference on the channel you are using, you can switch the communication channel. The communication channel shows on the top middle of the remote controller screen. (CH-XX-P3)

Press  to switch bands from A – E.

Press  to switch channels from 1 – 8.

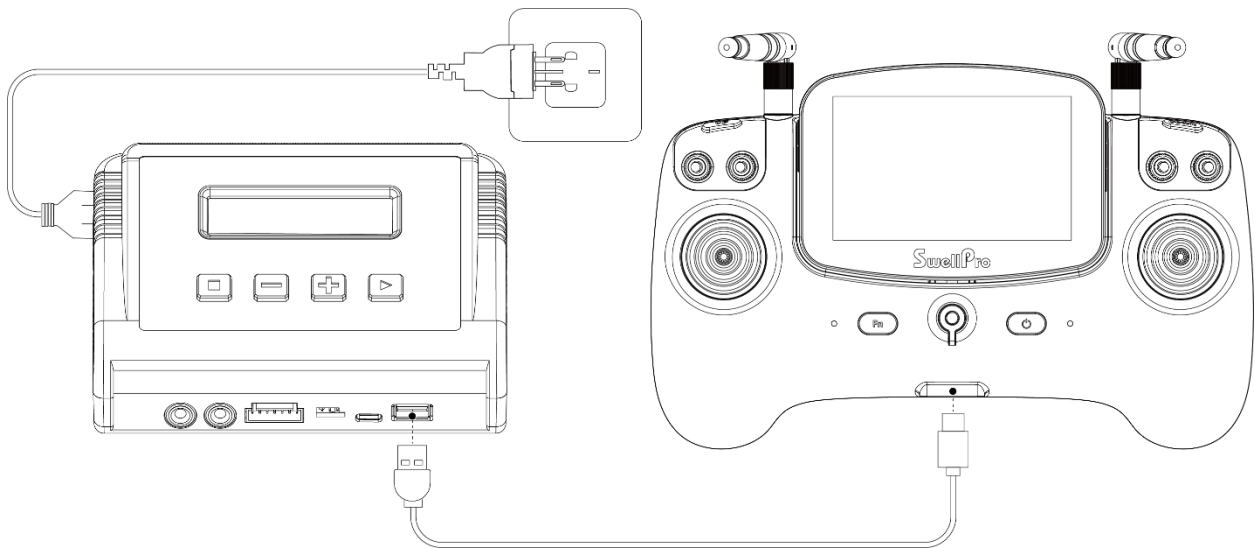
Power ON/OFF



Short press the power button once, then long press for 2 seconds.

If the remote controller prompts “Control Stick Error”, simply toggle up Payload Release, the RTH, and Flight Mode switches to dismiss the prompt. (Payload Release – OFF; RTH – Normal; Flight Mode – GPS)

Charging



The remote controller can be charged from the in-the-box charger or a standard 5V USB-C adapter. Recommend using a **5V/2A** USB-C adapter.

The right LED light on the remote controller will turn **red** while charging. When the remote controller is fully charged, the LED light will turn **green**.

⚠ If the remote controller is not being used for a long period of time, ensure to fully charge the remote controller (battery level on the top right of the screen) for storage. To prevent the battery from over-discharge, fully recharge the remote controller every 3 months. For other battery maintenance guides, please check the Appendix Battery Care and Maintenance part.

Pairing

The remote controller and the aircraft are paired at the factory before shipping. There is no need to pair them for your first use. If the aircraft and the remote controller are not able to connect, please try the following steps to pair the aircraft and the remote controller:

1. Power on the remote controller while keeping the aircraft off.
2. Press and hold the function button (Fn) and the power button for 3 seconds.

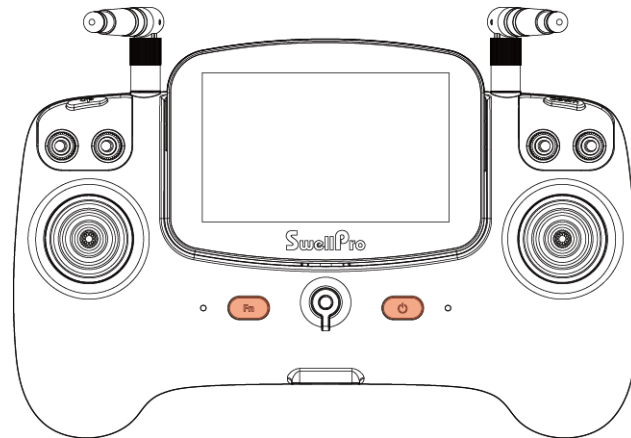
The remote controller will start to beep.

3. Power on the aircraft.

Ensure to power on the aircraft while the remote controller is beeping (within 15 seconds).

4. The remote controller and the aircraft would pair automatically.

💡 **To exit the pairing mode, press the function button (Fn) button once.**



Control Sticks Calibration

Calibrate the control sticks if:

- The remote controller prompts "Control Stick Error".
- The aircraft is not able to fly straight.
- In GPS mode, the aircraft is moving in one direction or changing its orientation when there is no input from the remote controller.
- The aircraft is not flying in an intended direction when you are controlling the aircraft.

To calibrate control sticks:

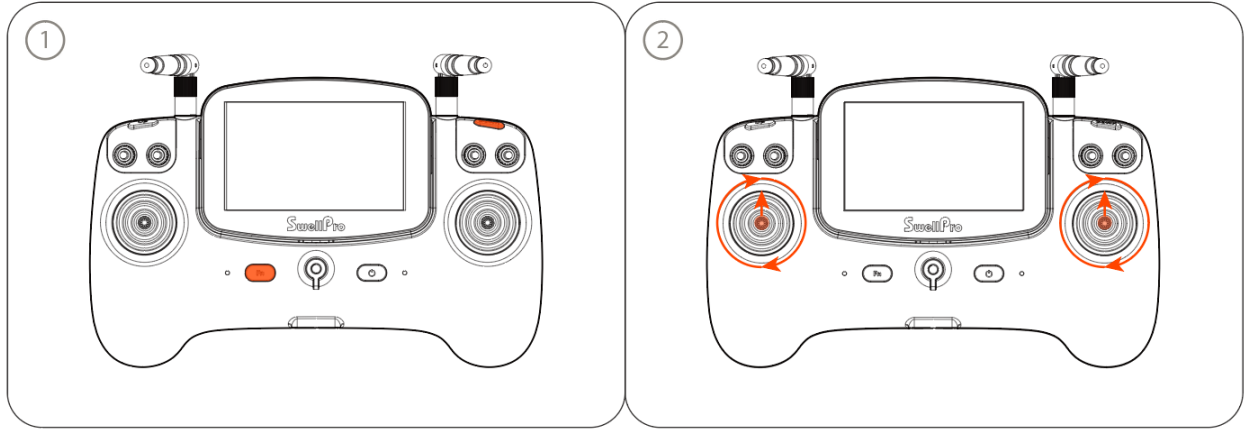
1. Power off the aircraft.
2. Press and hold the function button and the gimbal down button for 3 seconds.

The remote controller would start to beep and prompt for calibration.

3. Push both sticks all the way up and rotate about 5 circles, then release both control sticks, the remote controller will beep and indicate the calibration is complete.

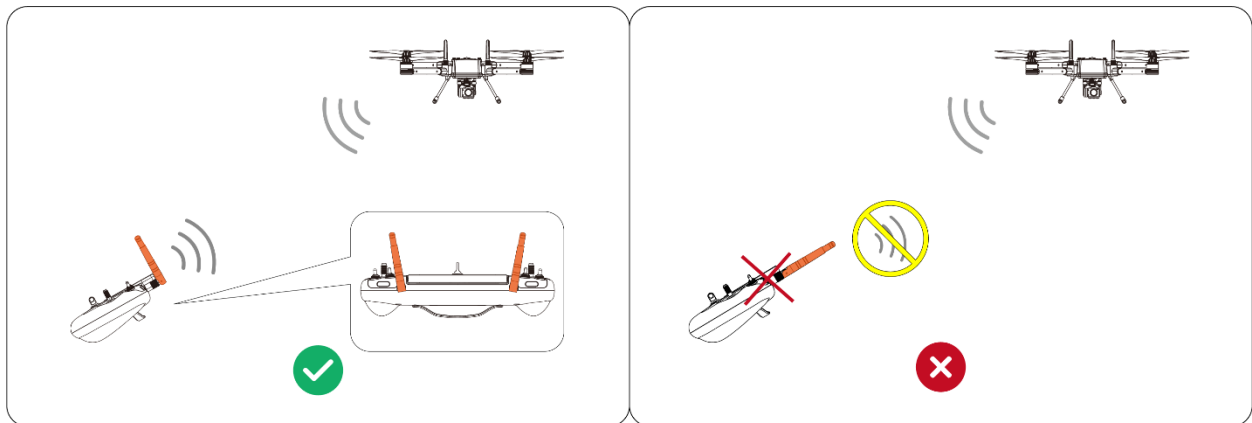
⚠️ If the calibration is not successful, the remote controller will keep beeping. Please repeat step

⚠️ While calibrating, move the control sticks gently. Avoid moving abruptly.



Optimal Signal Transmission

Remote Controller Antenna Orientation

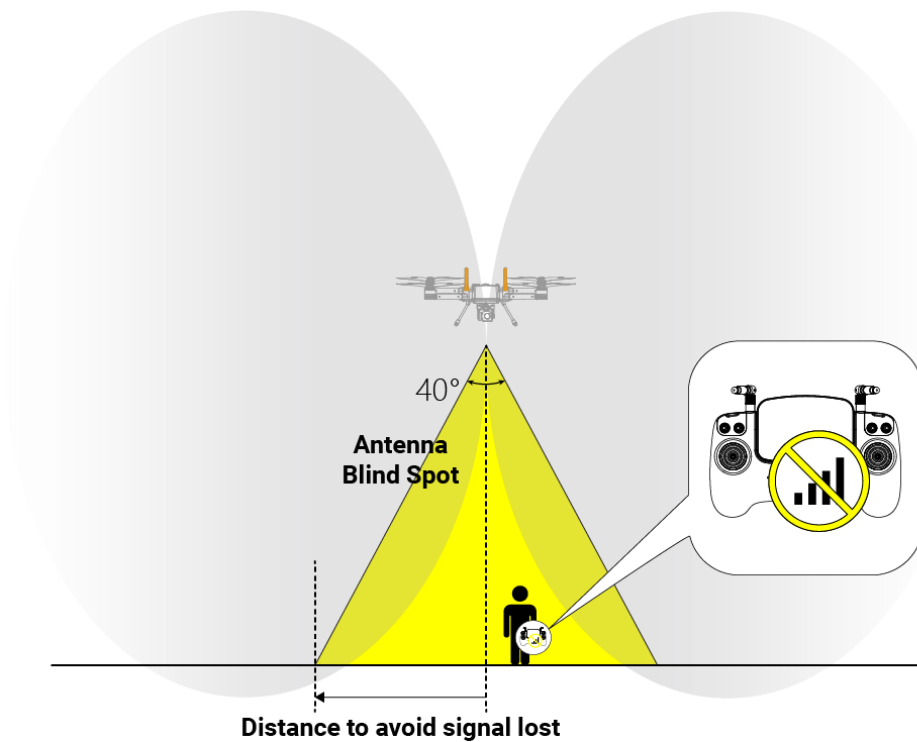


Position the antenna parallel to the aircraft for **optimal signal transmission**.

DO NOT point the tip of the antenna to the aircraft. Otherwise, it would result in **signal lost**.

Aircraft Antenna Blind Spot

Due to the nature of the antenna radiation pattern, there is a blind spot about **40°** under the aircraft. When positioned under the blind spot area, the remote controller will experience **signal loss**. If you encounter a signal loss issue when you are near the aircraft, you might be in the blind spot area.



Please avoid being in the blind spot zone to prevent the signal loss issue.

- During take-off, try to fly the aircraft away from you instead of quickly ascending the aircraft into the overhead area near you.
- Same for Return-to-Home/Landing, land the aircraft at a safe distance before you to avoid being in the blind spot area.

Here is the estimated safe distance from the aircraft to prevent signal loss due to being in the blind spot area.

Aircraft Height	Safe Distance
10 m	4 m
30 m	11 m
50 m	18 m
80 m	30 m
100 m	37 m
120 m	44 m

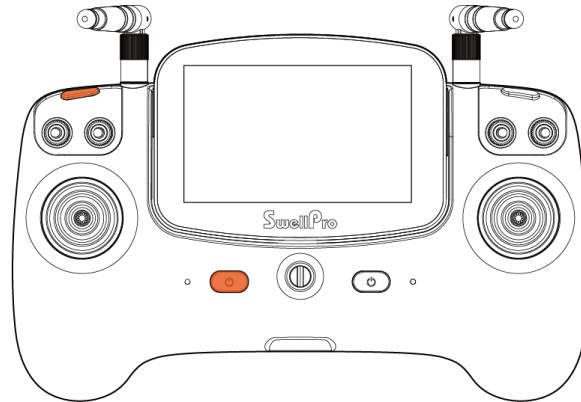
💡 If you want to estimate the safe distance, use this equation $\tan(20^\circ) \times \text{Height}$ to calculate. (Height is the height of the aircraft, which can be obtained from the remote controller or the App)

Reset Wi-Fi Password

If you forget the Wi-Fi password of your remote controller, you can reset the Wi-Fi password back to the default password **"12345678"**.

Reset Wi-Fi Password:

Press and hold the power button and the gimbal up button for 5 seconds.



Flight

⚠️ ONLY PERFORM WATER LANDING WHEN THE FISHERMAN MAX IS EQUIPPED WITH THE FLOATING DEVICE. IF LANDING THE FISHERMAN MAX ON WATER WITHOUT EQUIPPING THE FLOATING DEVICE, THE AIRCRAFT WILL SINK INTO THE WATER.

⚠️ DO NOT PERFORM WATER LANDING IF THE FISHERMAN MAX IS EQUIPPED WITH THE EMERGENCY BUOY. THE EMERGENCY BUOY WILL AUTOMATICALLY ACTIVATE WHEN IT COMES INTO CONTACT WITH WATER.

Flight Safety and Environment

- Please make sure you have a comprehensive understanding of the Fisherman Max, and all the necessary measures required to implement a successful return home function in the event of an emergency.
- If this is your first time flying an aircraft, please read this manual thoroughly and watch the tutorial videos on our website support.swellpro.com, or our YouTube channels.
- We recommend taking professional training and guidance. When flying, choose an appropriate environment according to your skills. Check all calibrations and choose a large open area to practice.
- It is **strongly** recommended that all aircraft pilots become familiar with flying in ATTI mode in case of GPS or magnetic interference, which may result in malfunction when flying in GPS mode.
- When experiencing GPS and magnetic interference during the flight, switch to ATTI mode to gain full control and safely return the aircraft manually. Failure to do so and result in the aircraft crashing, and the pilot takes full responsibility.
- Please be well prepared before each flight, and avoid any violent or excessive operations.
- Please maintain strict compliance with the local laws, any flying in NO-FLY ZONES is prohibited.
- Any illegal & improper use or operation of this product is prohibited.
- Any invasion & violation of another person's right to privacy is not allowed. Before using this product, it remains the duty of the aircraft pilot to comply with the local laws regarding privacy protection.
- Any invasion or flying over another person/s property is not allowed, please agree with any persons regarding any potential breach of privacy before the proposed flight.
- DO NOT fly the aircraft under the influence of alcohol, drugs, or any other physical or mental impediment.
- Do not fly the aircraft with a malfunctioning remote controller.
- Please fly the aircraft away from crowds.

Flight environment requirement

- Always choose the open space as an ideal flying environment.
- Flying between or near tall buildings could adversely affect the functioning of the compass and adversely affect or block GPS and transmission signals.
- During the flight, try to maintain a line of sight with the aircraft, and keep away from obstacles and people.
- Avoid flying near areas with high electromagnetic interference such as power lines or signal towers to minimize the risk of interfering with the remote controller of the aircraft.
- Fly 4000 meters above sea level as environmental factors including air density and wind shear reduce the performance of the aircraft and battery.
- Before flying in low temperatures, warm the battery to $\sim 25^{\circ}\text{C}$ to maximize flight time.
- Although the Fisherman Max is waterproof, do not fly in fog or strong wind conditions. (For wind speed exceeding 18 m/s)

Restricted Area



Airport



Crowds

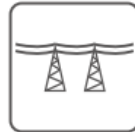
Threats to Flight Safety Scenarios



Radio signal tower



Radar



High voltage power lines



Trees



Tall buildings

Flight Restrictions

According to provisions of the International Civil Aviation Organization and many national air traffic regulations, aircraft must be operated in specified airspaces. By default, the Fisherman Max is configured to not exceed an altitude of 120m from the Home Point altitude.

Pre-Flight Checklist

- Flight batteries, the remote controller, and your mobile devices are fully charged.
- Check all propellers are in good condition and correctly installed.

Ensure there is no wobble on the propeller after you install it. If you correctly install the propeller, the propeller still wobbles, you might need to tighten the screws on the propeller base.

- Manually rotate the 4 motors to ensure they can spin smoothly.
- Ensure the four arms are firmly mounted.
- Ensure all the connector sealings are tightly sealed with the rubber rings attached, including the battery sealing, and all the base connector ports. Ensure the sealings are free of dirt, sand, and other debris.
- Ensure the flight battery's four latches are locked properly.
- Ensure the waterproof barometric membrane is not damaged.
- Ensure the gimbal camera and payload release modules are tightly mounted to the aircraft.
- Ensure the silicone plug on the bottom of the remote controller is tightly sealed.
- MicroSD card has been inserted and tightly sealed.
- The app is successfully connected to the aircraft.
- Check the following flight data: flight battery level > 24.0V; remote controller battery level > 1 bar; GPS signal > 5.

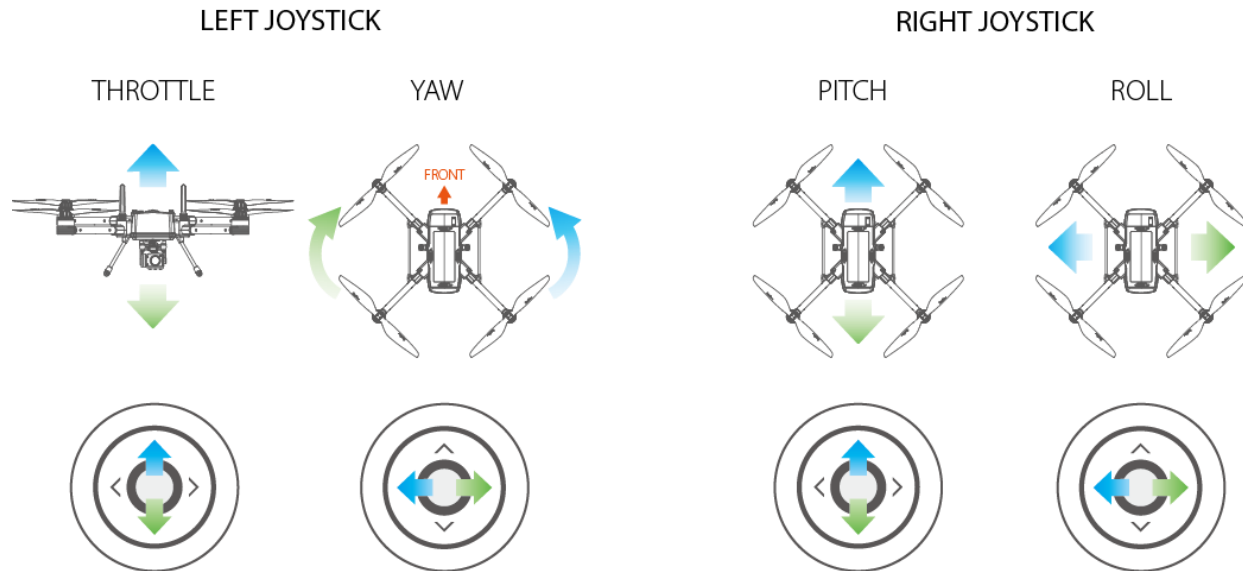
Basic Flight Steps

1. Check the pre-flight checklist.
2. Unfold the arms, then tighten the mount on each arm.
3. Install the propellers correctly.
4. Place and locked the flight battery.
5. Place the aircraft on a flat, open, and obstructive surface.
6. Power on the remote controller, followed by the aircraft.
7. Connect the phone to the remote controller's Wi-Fi.
8. For your safety, stand upwind and at least 3 meters away from the aircraft.
9. Novice pilots should always take off in GPS mode.
10. Start motors.
11. Push the left (throttle) control stick up slowly, allowing the aircraft to take off smoothly. Release the throttle when the aircraft is approximately 1.5 m high. Allow the aircraft to hover for a moment to ensure flight stability.
12. When you need to descend, gently pull down the left (throttle) control stick, allowing the aircraft to descend and land on a flat surface.
13. After landing, keep the left (throttle) control stick down for 3 seconds until the motors stop, or you can also pull both control sticks downward and outward to stop the motors.
14. Stop video recording before shutting down the aircraft, otherwise, the video file may be damaged.

Control the Aircraft

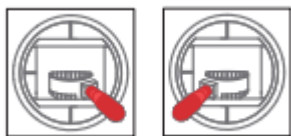
The left control stick controls Throttle & Yaw; the right control stick controls Pitch & Roll.

- Throttle controls the ascend or descend of the aircraft;
- Pitch controls the aircraft to fly forward or backward;
- Yaw controls the direction;
- Roll controls the aircraft to fly left or right.



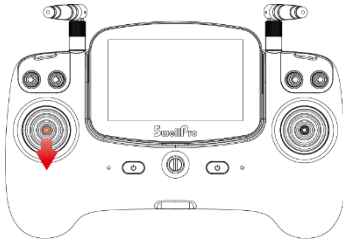
Starting and Stopping the Motors (Arming)

Starting (Arming) Motors



Pull both the left and right control sticks simultaneously down and inwards and maintain this position for 3 seconds. The motors will be unlocked and start rotating.

Stopping Motors



Method 1: After the aircraft has landed, pull the left stick all the way down and hold for 3 seconds. The motor would stop rotating and lock.



Method 2: After the aircraft has landed, pull both the left and the right control sticks down and outward.

Stopping Motors Mid-flight

Stopping motors mid-flight will cause the aircraft to crash. Stopping aircraft motors while flying should only be carried out in an emergency when stopping the motors will minimize potential damage. For example, when the aircraft is out of control, there is a risk that the aircraft may hit the surrounding people. To stop motors mid-flight, pull both the left and the right control sticks down and outward (Stopping Motors - Method 2).

Takeoff and Landing

Takeoff

1. Place the aircraft on flat, open, and unobstructed surface.
2. Complete all the pre-flight checklist items.
3. Power on the remote controller, followed by the aircraft.
4. Connect the phone to the remote controller's Wi-Fi.
5. Start motors.
6. Gently push the left (throttle) control stick up slowly, allowing the aircraft to take off smoothly. Release the throttle when the aircraft is approximately 1.5 m high. Allow the aircraft to hover for a moment to ensure flight stability. Or use the auto takeoff function on the App.

Landing

1. Check the condition for a safe landing.
2. Gently pull the left (throttle) control stick down, allowing the aircraft to descend and land on a flat surface.
3. After landing, keep the left (throttle) control stick down for 3 seconds until the motors stop.

Flight Modes



Switch the flight mode toggle to switch the flight mode of the aircraft.

Flight Modes	Description
GPS	In GPS mode, the aircraft maintains a fixed position and height while hovering.
ATTI	In ATTI mode, the aircraft maintains a fixed height but not a fixed position. Therefore, when there is no input to the remote controller, the aircraft is going to drift with the wind while maintaining its height.
Cruise	In Cruise mode, the aircraft is going to maintain the direction and speed of your input after you release the remote controller.

⚠ When flying the aircraft in ATTI mode with payload attached, avoid controlling or braking the aircraft abruptly. Failure to do so may result in the excess movement of the payload and the attachment wire causing the aircraft to crash. SwellPro is not responsible for the incident if users not following the proper instructions.

⚠ Please be aware of that the aircraft can be flight pass the distance limit in ATTI mode. Remote Controller will prompt “Max Distance Reached”.

Low Battery Warnings

Fisherman Max has **two** low battery warnings to inform aircraft of low battery levels. When the low battery level is reached, the remote controller would vibrate, beeps, and prompts voice messages to inform the low battery status.

Level 1 Low Battery Warning

The aircraft battery level has reached **22.0 V**. The remote controller would vibrate, beep, and prompt "**Aircraft Low Battery - Please return to home**". The rear aircraft status lights would flash red light slowly. The aircraft would initiate Low Battery Return to Home.

Level 2 Low Battery Warnings

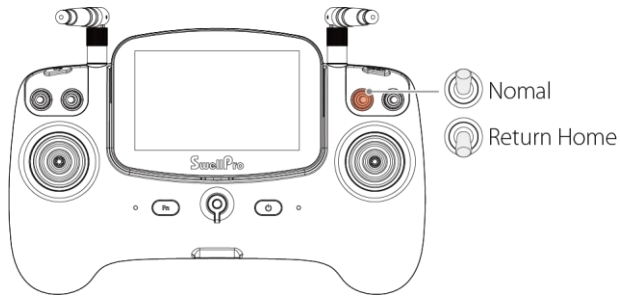
The aircraft battery level has reached **21.6 V**. The remote controller would vibrate, beep, and prompt "**Aircraft Battery Level Critical - Land in 10 seconds**". The rear aircraft status lights would flash red light quickly. After 10 seconds, the aircraft would start landing to protect the aircraft and battery.

⚠ During RTH, you can regain control of the aircraft by controlling the control sticks to avoid the obstacle while return to home.

⚠ During the flight, it is important to constantly check the battery voltage, as flying in the conditions like strong wind, rapid movements, and heavy load can deplete the battery more rapidly.

⚠ DO NOT continue to fly the aircraft after reaching Level 2 Low Battery Warnings. This would cause damage to the battery and the aircraft to crash.

Return to Home



Switch the Return to Home toggle down to “Return Home”. The remote controller would prompt “Return to Home”. The aircraft would start to return to the take-off location.

Switch the Return to Home toggle up to “Normal” to exit Return to Home.

Return Home Process



If the aircraft's height is higher than RTH Height (default 20 m), the aircraft will maintain its height and return to the home point.



If the aircraft's height is lower than RTH Height (default 20 m), the aircraft will ascend to RTH Height and then return to the home point.

💡 RTH Height can be set on the App.

⚠️ The aircraft may not be able to return to home if the aircraft's GPS signal is too weak (GPS signal shows 0).

⚠️ Always keep eye on the aircraft during the RTH process, and watch out for any obstacles on the flight path.

⚠️ During the return to home process, you can regain control of the aircraft by controlling the control sticks to avoid the obstacle while landing. However, flying the aircraft below 21.6 V is highly dangerous since the battery will not be able to maintain the flight and would cause damage to the battery and the aircraft to crash.

⚠️ During Low Battery RTH, controlling the control stick will stop the aircraft return-to-home process. The remote controller will prompt “Aircraft Low Battery - Please return-to-home” if it happens. Please switch the RTH toggle to “Return Home” to return the aircraft.

RTH Height

Setting RTH height based on the requirement of the flight environment is important for keeping the safety of the aircraft and surroundings. RTH height can be set on the App. The default RTH height is 20 m.

Failsafe RTH

Failsafe RTH automatically activates when there is a **signal loss** between the remote controller and the aircraft. The aircraft would initiate RTH when activates. During the Failsafe RTH process, if the remote controller reconnects to the aircraft, the aircraft will still return to home. If you want to stop the RTH process, switch the Return to Home toggle down and up again to exit RTH.

Low Battery RTH

Low Battery RTH activates when the flight battery voltage reaches **Level 1 Low Battery Voltage (22.0 V)**. The remote controller would vibrate, beep, and prompt "**Aircraft Low Battery - Please return to home**". The aircraft would initiate Low Battery Return to Home. Low Battery RTH can be turned ON/OFF on the App. It's ON by default.

Low Battery Payload Release

Low Battery Payload Release activates after the flight battery voltage reaches **Level 1 Low Battery Voltage (22.0 V)** for 5 seconds to enhance safe RTH when the aircraft is attached to a heavy load. Remote controller will beep 8 times. 10 seconds later, payload A and B will be released. During the 10 seconds, you can press the function button to deactivate low battery payload release. Low Battery Payload Release can be turned ON/OFF on the App. It's OFF by default.

⚠ If low battery setting is changed during the flight, you need to restart the aircraft for the setting to be activated.

⚠ THIS FEATURE HAS SAFETY RISKS. PLEASE USE IT WITH CAUTION. ONLY USE THIS FEATURE IN AN OPEN, CLEAR AREA WITH NO PEOPLE AROUND.

⚠ ENSURE THE SAFETY OF THE AIRCRAFT LOCATION TO PREVENT ANY DAMAGE TO PEOPLE AND THE SURROUNDING.

Low Battery Landing

Low Battery Landing automatically activates when the flight battery voltage reaches **Level 2 Low Battery Voltage (21.6 V)**. The remote controller would vibrate, beep, and prompt "**Aircraft Battery Level Critical - Land in 10 seconds**". After 10 seconds, the aircraft would start landing to protect the aircraft and battery.

⚠ During auto landing, you can regain control of the aircraft by controlling the control sticks to avoid obstacle while landing. However, flying the aircraft below 21.6 V is highly

dangerous since the battery will not be able to maintain the flight and would cause damage to the battery and the aircraft to crash.

Water Takeoff and Landing

⚠️ ONLY PERFORM WATER LANDING WHEN THE FISHERMAN MAX IS EQUIPPED WITH THE FLOATING DEVICE. IF LANDING THE FISHERMAN MAX ON WATER WITHOUT EQUIPPING THE FLOATING DEVICE, THE AIRCRAFT WILL SINK INTO THE WATER.

⚠️ DO NOT PERFORM WATER LANDING IF THE FISHERMAN MAX IS EQUIPPED WITH THE EMERGENCY BUOY. THE EMERGENCY BUOY WILL AUTOMATICALLY ACTIVATE WHEN IT COMES INTO CONTACT WITH WATER.

⚠️ Before landing on the water, watch out the water area for weeds or other debris to prevent the landing gear and other attached accessories from getting tangled by them, which can cause the aircraft not able to take off.

Water Takeoff: Ascend quickly from the surface to prevent the aircraft from being affected by a passing wave.

Water Landing: Descend vertically to the surface, otherwise, it may flip and turn over. The flight controller will shut down the motors if the aircraft becomes inverted on the water.

Boat Takeoff and Landing

When takeoff or landing on the boat/kayak, **PAY EXTRA ATTENTION** to the operation, as it can be very difficult and dangerous to operate the aircraft in this environment.

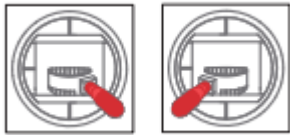
- There should be enough space for the aircraft to take off or land on the boat.
- If there is not enough space on the boat, taking off and landing on the water can otherwise be a safer, alternative option, as there is sufficient space for the aircraft to operate.
- Always be aware of the direction of the wind relative to the boat for take-off and landing. Stand in the upwind position relative to the aircraft to prevent the aircraft from drifting toward you when take-off or landing in windy conditions.
- For your safety, it is not recommended to launch or land the Fisherman Max on your hands.
- After initiating return-to-home on the boat, always regain control and land manually when the aircraft is approaching the boat.

PowerFlip

⚠ POWERFLIP CAN ONLY BE PERFORMED WHEN THE FISHERMAN MAX IS EQUIPPED WITH THE FLOATING DEVICE. IF LANDING THE FISHERMAN MAX ON WATER WITHOUT EQUIPPING THE FLOATING DEVICE. THE AIRCRAFT WILL SINK INTO THE WATER.

⚠ If the aircraft turn over the water, ensure to use PowerFlip to turn the aircraft to the upright position as soon as possible to prevent the risk of the barometric membrane getting damaged.

If the aircraft turn over on the water, the PowerFlip feature enables the aircraft to flip back to its upright position.



When the aircraft floats upside-down on the water, pull both the left and right joysticks simultaneously down and inwards and maintain the control until the aircraft flips over to its upright position.

Gimbal Camera

⚠ After using in seawater, soak and rinse thoroughly with clean fresh water before the seawater dries out.

⚠ If seawater or other sediments form on the gimbal camera, soak thoroughly with fresh water and clean all sediments on the camera and motor before use. For more information, check the aircraft's "Maintenance manual".

Control

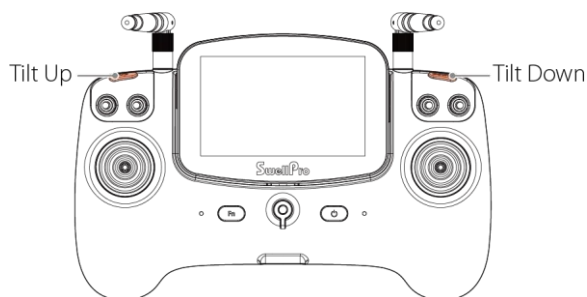
Camera Control



Photo ①: toggle up to take a photo.

Video ②: toggle down to start recording, toggle down again to stop recording and save the file.

Gimbal Control



Tilt Up ①: Press and hold the gimbal up button to turn the camera up.

Tilt Down ②: Press and hold the gimbal down button to turn the camera down.

Camera Settings

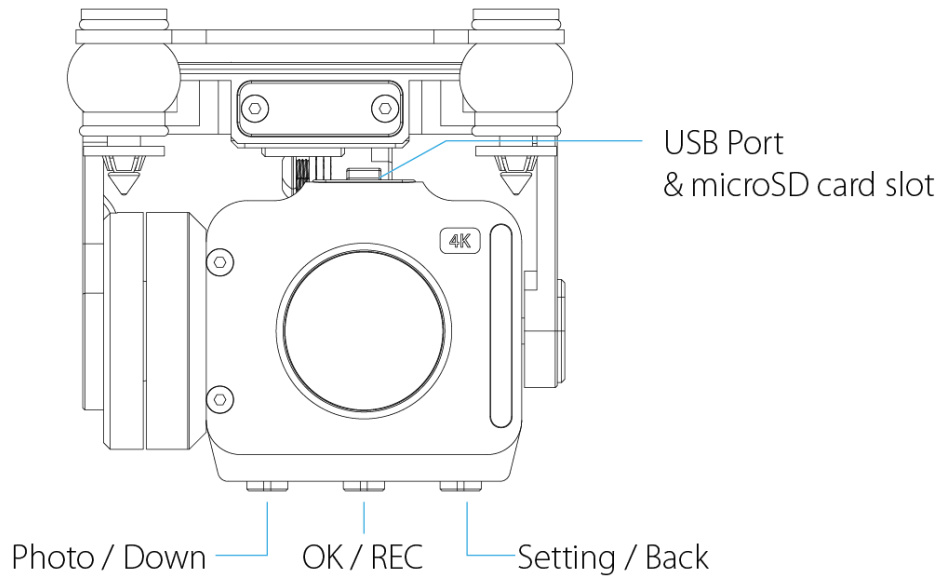


Photo / Down

Take photo / Go down: In preview mode, press once to take a photo; In settings mode, press once to go down.

OK / REC

Record / Select: In preview mode, press once to start recording, and press again to stop recording; In settings mode, press once to select.

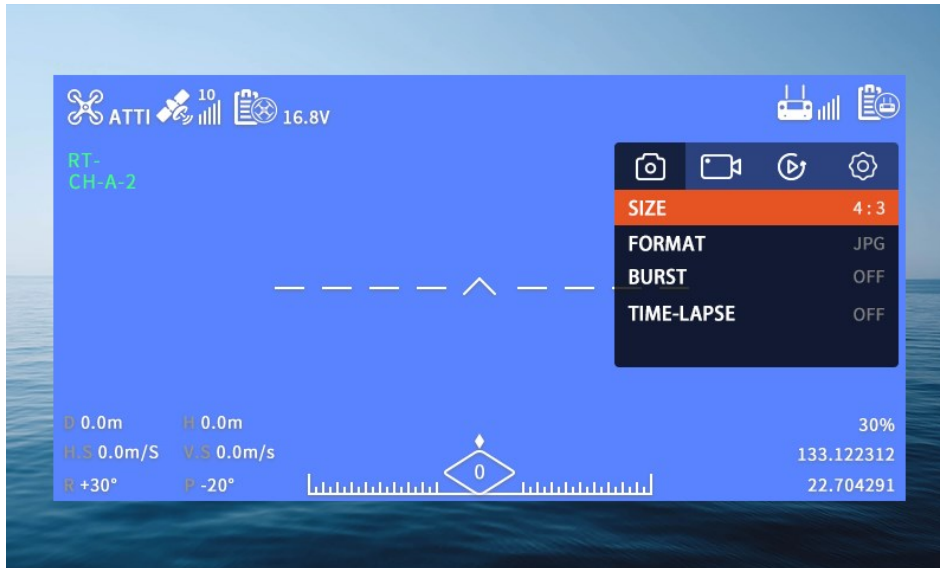
Setting / Back

Enter settings menu / Go back / Restart: In preview mode, press once to enter the settings menu; In settings mode, press once to go back; Press for 2 secs to restart.

Press **Setting / Back** to enter the settings menu.

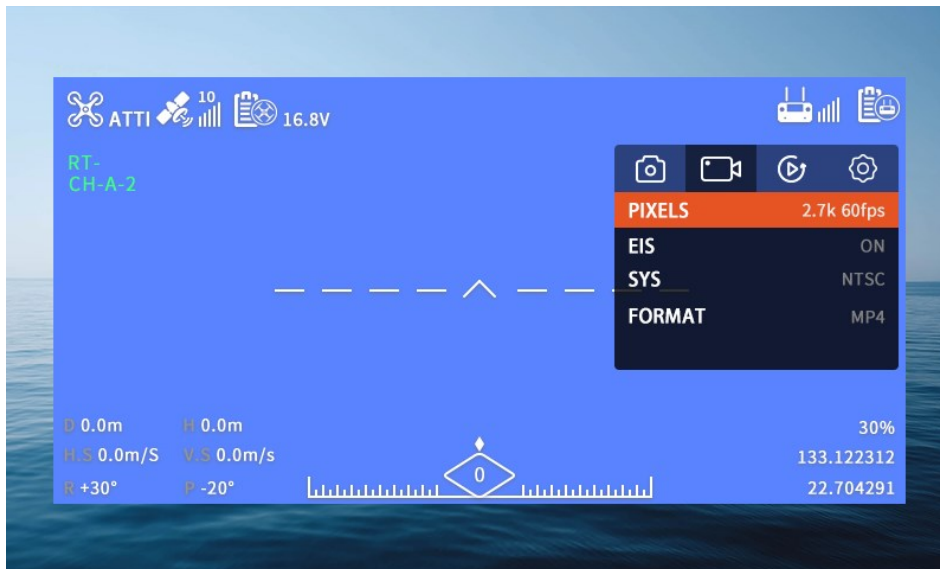
Photos Setting

Set the photo size, format, burst, and time-lapse here.



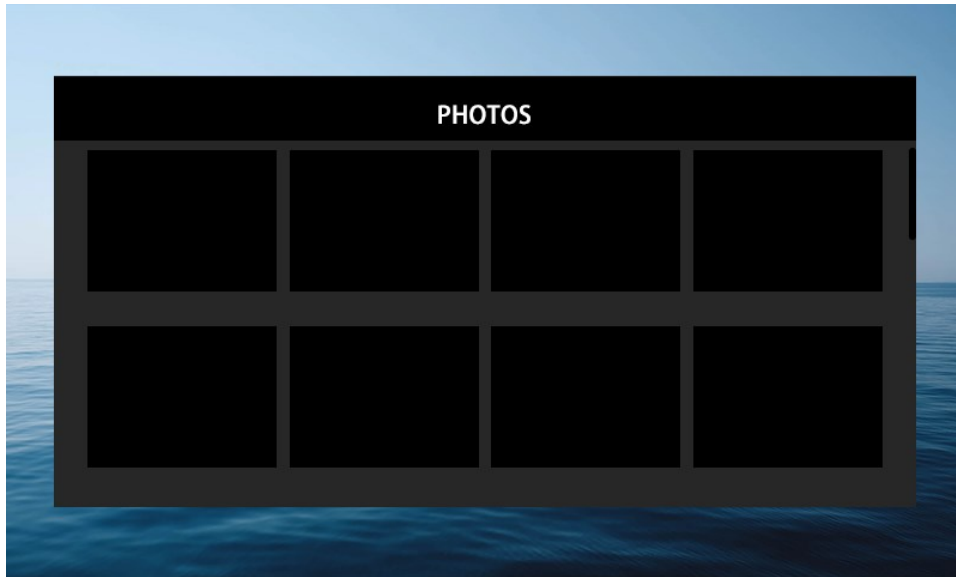
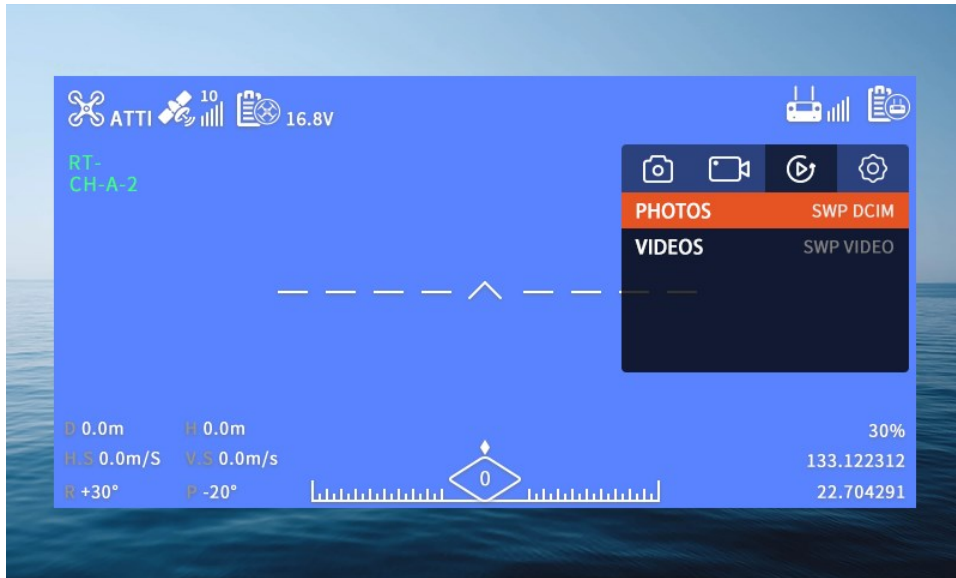
Videos Setting

Set the video resolution, EIS, format standard, and format here.



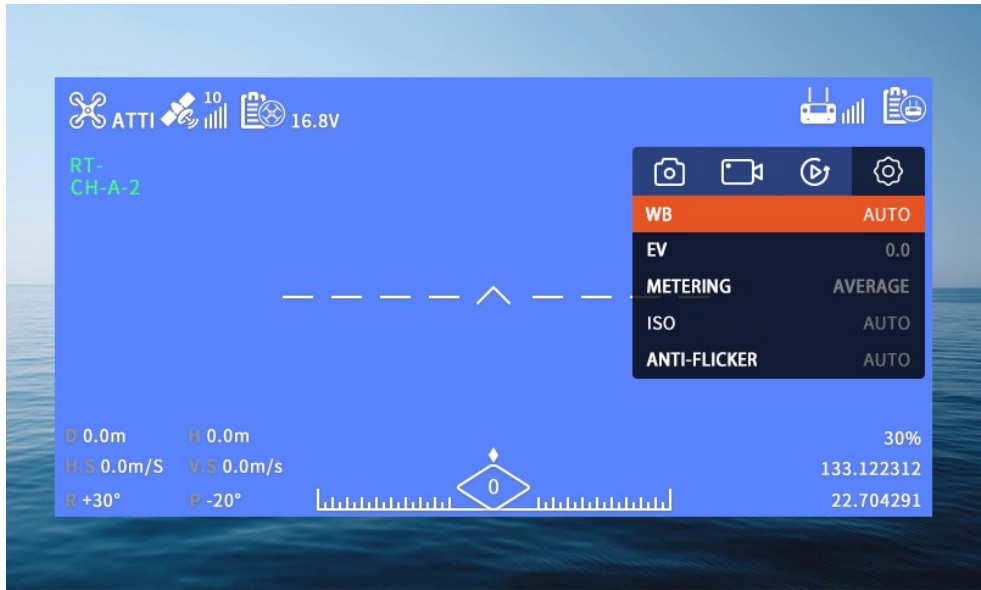
Gallery

Select "PHOTOS" to view the photo gallery. Select "VIDEOS" to view the video gallery.

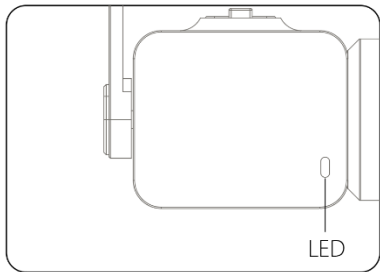


Camera Setting

Set camera white balance, EV, metering, ISO, anti-flicker, and language; check the camera firmware version number; format or factory reset here.

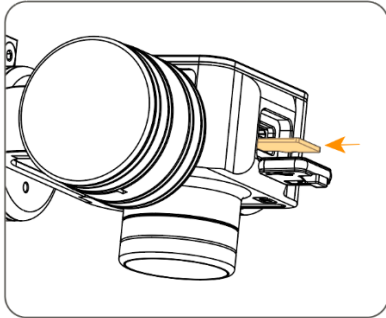


Camera Status Lights



LED		
	Solid Green	Ready to shoot
	Flashing Green	No SD card
	Flashing Red Once	Taking photo
	Flashing Red	Video recording
Solid	Flashing	

microSD Card

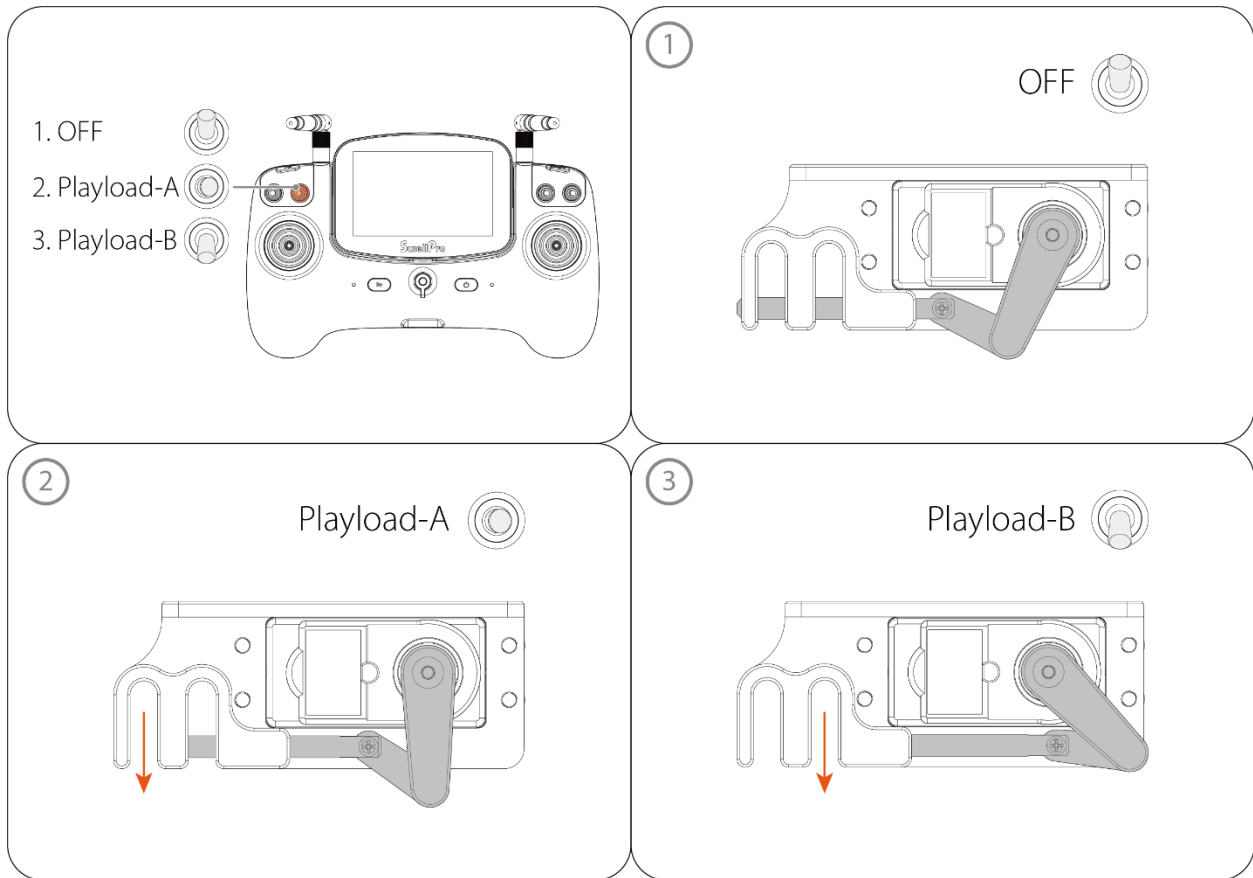


1. Open the rubber sealing on the top of the camera, insert the microSD card in the correct direction, and press the Micro SD card, the "click" sound indicates that the installation is in place.
2. After installing the microSD card, plug the rubber seal back.

⚠ Make sure the rubber seal is tightly plugged in to ensure waterproofing.

- **The camera supports microSD cards with a maximum capacity of 128GB. Since the camera requires fast reading and writing of high-stream video data, please use microSD cards with Class 10 or UHS-1 or above to ensure proper functioning.**
- **Do not insert or unplug the microSD card during aircraft shooting, as data files may be damaged or lost.**
- **Once you are done recording, stop recording and save the file. If you turn off the power directly before saving the files, the recording file might be damaged.**

Payload Release



You can control the payload through the payload switch of the remote controller, perform A and B two releases in sequence.

App

Download the App

Get the most from your Fisherman Max by flying with the FDFly App. Download the App on the App Store/Google Play, or directly from the SwellPro website:

support.swellpro.com



Connect

After successfully installing the App, turn on the remote controller and then the aircraft. Connect your mobile device to the remote controller's Wi-Fi hotspot named **SWP_FDxxxxxxx**. The default password is "12345678". (The password can be changed on the App)

After connecting the Wi-Fi, open the App. You can now log in to the aircraft.

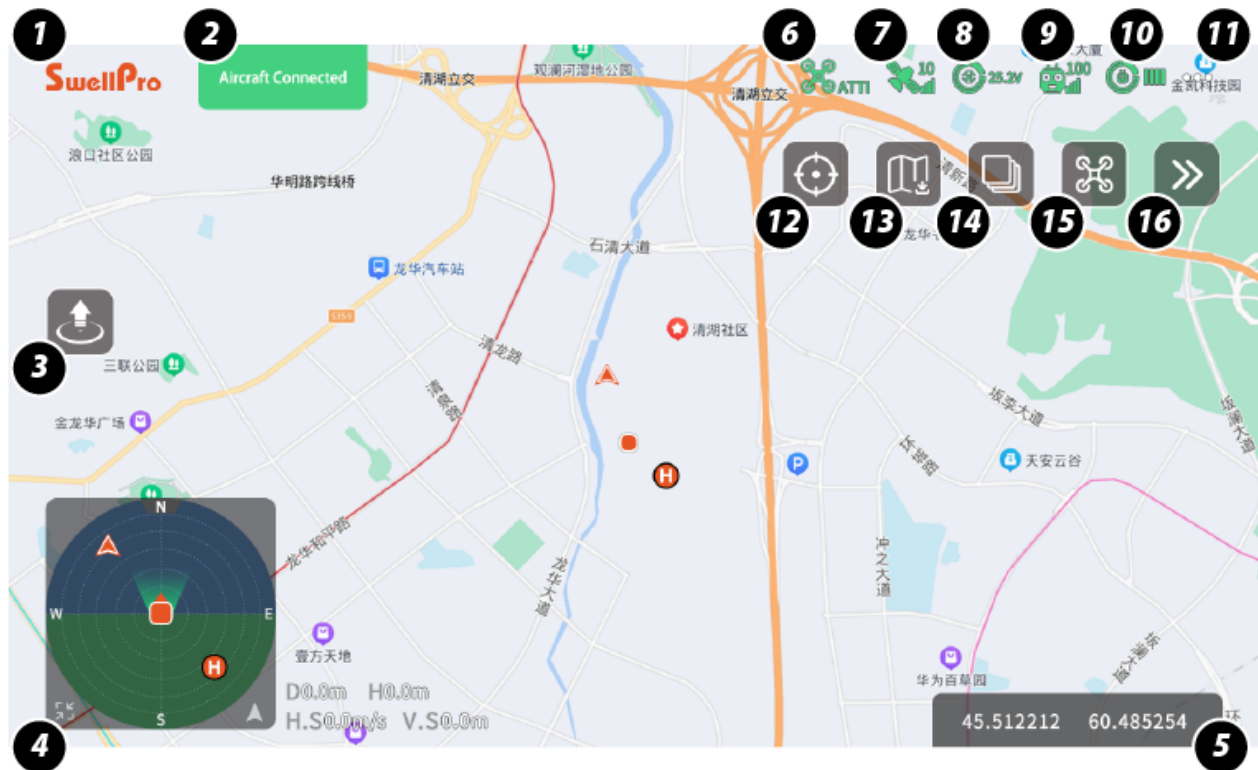
Home Interface



1. Connection Status: Tap to enter the main interface.

2. Guide: A collection of user manuals and tutorial videos to help you better use the product.

Main Interface



- 1. Home Interface:** Return to the home interface.
- 2. Aircraft Status:** Displays the status of the aircraft.
- 3. Auto Take-Off:** Tap to take off the aircraft automatically.
- 4. Compass:** A glance at the direction the aircraft is heading.
- 5. Coordinate Info:** Longitude and latitude of the aircraft.
- 6. Flight Mode:** Current flight mode.
- 7. GPS Signal Status:** GPS signal quality.
- 8. Aircraft Battery Level:** Real-time display of the aircraft battery voltage.
- 9. Remote Controller Signal Status:** The signal quality between the remote controller and the aircraft.
- 10. Remote Controller Battery Level:** Real-time display of the remote controller battery level.
- 11. Flight Settings:** Set the aircraft flight settings and configure flight parameters.

12. Location: Tap to choose to locate the phone, the home point (take-off point), or the aircraft on the map.

13. Map Download: Download the offline map for when there is no signal connection on your phone.

14. Map Layer: Choose to view the map in 3 different map layers: standard, satellite, and dark.

15. Flight Mission: Execute flight mission including tap to flight and waypoints.

- **Tap to Fly:** Tap where you want to fly to on the map, and the aircraft will automatically fly to the location.
- **Waypoints:** Select several waypoints on the map, and the aircraft will fly in a route through the series of waypoints.

16. Hide: Tap to hide icons 12-15 to have a cleaner view of the map.

Appendix

Specification

Aircraft	
Waterproof Rating:	IP67
Weight (include battery, propellers, gimbal camera, and payload release module):	3.78 kg
Size (w/o propeller):	522*522*192 mm (unfold) 306*266*192 mm (fold)
Max Ascent Speed:	4 m/s
Max Descent Speed:	3 m/s
Max Flight Speed:	10 m/s (GPS); 20 m/s (ATTI)
Max Tilt Angle:	25°
Max Altitude from Takeoff Point:	120 m (GPS Mode); No Limit (ATTI Mode)
Max Flight Distance:	1500 m ¹
Max Image Transmission Distance:	1200 m ²
Max Payload Capacity:	3.5 kg
Max Wind Speed Resistance:	18 m/s
Max Flight Time:	27 mins (no wind & no load)
Hovering Precision:	±0.5 m
Operating Frequency:	2.402 - 2.478GHz (Advanced and Basic Version) 5.725-5.825GHz (Advanced Version)
Transmitter Power (EIRP)	Advanced and Basic Version: <33 dBm (FCC), <20 dBm (CE) Advanced Version: <33 dBm (FCC), <14 dBm (CE)
Working Temperature:	-10° - 40°C
Satellite Positioning Systems:	GPS + Galileo + BeiDou
Remote Controller (Advanced Version)	
Waterproof Rating:	IP54
Size:	276*190*74 mm
Weight:	709.5 g

^{1 2} Measured in an open environment, without interference. It does not reflect the actual distance. Use as reference during the flight.

Screen Size:	5 inch
Resolution:	800*480
Aspect Ratio:	16: 9
Brightness:	500 cb/m
Operating Frequency:	2.405-2.475 GHz; 5.725 - 5.825 GHz
Transmitter Power (EIRP)	2.405-2.475GHz: <26 dBm (FCC), <20 dBm (CE)
Sensitivity:	-92 dB
Latency:	20 ms
Battery:	3000 mAh
Working Time:	5 hours
Charging Time:	3 hours
Power Input:	5V/2A USB-C
Working Temperature:	-10°C - 40°C
System Language:	English, Chinese

Remote Controller (Basic Version)

Waterproof Rating:	IP54
Size:	276*190*74 mm
Weight:	680 g
Screen Size:	3.6 inch
Operating Frequency:	SRD:2.402-2.478 GHz , WiFi: 2.412-2.462GHz
Transmitter Power (EIRP)	SRD:2.402-2.478 GHz , WiFi: 2.412-2.462GHz: <26 dBm (FCC), <20 dBm (CE)
Battery:	3000 mAh
Working Time:	9 hours
Charging Time:	3 hours
Power Input:	5V/2A USB-C
Working Temperature:	-10°C - 40°C
System Language:	English, Chinese

Flight Battery

Nominal Capacity:	4500 mAh
Voltage:	22.2V
Type:	6S LiPo
Size:	219*119*65 mm
Weight:	1255 g
Working Temperature:	0° - 40°
Charging Time:	80 mins
Max Charging Current:	8A

Charger

Input	100 - 240V
Output:	25.2V
Max Charging Power:	200W
Supported battery types and cells:	6S LiPo
Size:	143*100*60 mm
Weight:	454.6 g
Working Temperature:	0° - 60°
Storage Temperature:	0° - 60°

Gimbal Camera

Waterproof Rating:	IP67
Axis:	1-axis (tilt)
Controllable range:	tilt: -90° to 0°
Max control speed:	tilt: 30°/s
Weight:	176.5 g
Size:	79*69*70 mm
Sensor:	1/2.3 CMOS, 12M
Lens:	F4.5mm f/2.65, FOV:92.6°
ISO Range:	100 - 3200
Shutter Speed	16 - 1/16000 s
Photo Resolution:	4000*3000 (4:3), 3840*2160 (16:9)
Burst Mode:	3/5/10 pcs
Video Resolution:	4K: 30fps 2.7K: 60fps 1080P: 120/60/30fps 720P: 240/120/60fps
Max Video Bitrate:	60 Mbps
Photo Format:	JPEG / DNG (RAW)
Video Format:	MP4 /MOV
Memory Card:	microSD card with a maximum capacity of 128GB, write speed ≥ 60 MB/s, recommend using Class 10 or above & UHS-1 rating
Working Temperature:	-10° - 40°C

Dual Payload Release

Waterproof Rating:	IP67
Max Payload Capacity:	3.5 kg
Size:	75*50*37.5 mm
Weight:	100 g

Floating Device

Size:	236*75*45 mm
Weight:	60 g (total)
Material:	EPP

Warranty Information

Please visit the SwellPro support website support.swellpro.com. Search "After-sales Policy" for warranty information.

Battery Care and Maintenance

- Do not allow the batteries to come into contact with any kind of liquid.
- Do not drop the battery into the water.
- Do not leave batteries out in the rain, or near any sources of moisture. If the inside of the battery comes into contact with water, chemical decomposition may occur, potentially resulting in the battery catching on fire, and may even lead to an explosion.
- Never use or charge swollen, leaky, or damaged batteries. If your batteries are abnormal, please contact SwellPro or a SwellPro authorized dealer for further assistance.
- The battery can be used in temperatures ranging from -10°C to 40°C. Using the battery in environments above 60°C can lead to a fire or explosion. Using the battery below -10°C can lead to permanent damage.
- Never disassemble, or penetrate the batteries with sharp objects, otherwise, this may result in the battery catching fire, or even lead to an explosion.
- Electrolytes in the battery are highly corrosive. If any electrolytes make contact with your skin or eyes, immediately wash the affected area with fresh running water for at least 15 minutes, and then see a doctor immediately.
- If the battery falls into the water, pick it up immediately and put it in a safe and open area. Maintain a safe distance from the battery until it is completely dry. Never use the battery again, and dispose of the battery properly as described in the Battery Disposal section below.
- Do not heat batteries. A battery fire can be extinguished using sand, or a dry powder fire extinguisher.
- Do not put batteries in a microwave oven, or a pressurized container.
- Do not put the loose battery cells onto any conductive surface, such as a metal table.
- Do not put any conductive cables or metal objects together with batteries, where they may short-circuit against each other.
- Do not drop or strike batteries.

- Do not place heavy objects on the batteries or the battery charger.
- Clean battery terminals with a clean, dry cloth. Failure to do so may result in poor electrical contact, which could reduce the battery capacity, or damage the charger.
- Do not continue to fly the aircraft after the low battery alarm has been activated; this will result in over-discharging the battery, and potentially could damage the battery cells.

Precautions for low-temperature use

- When the battery is used in a low-temperature environment (-10°C to 5°C), the battery capacity and flight time will be drastically reduced. It is recommended to take off when the battery is fully charged. Please fully charge and keep the battery warm before use.
- In a low-temperature environment, it is recommended to preheat the battery to above 5°C before flying, and it is better to preheat it to above 20°C.
- Before flying in a cold environment, insert the battery into the aircraft to warm up for 1 to 2 minutes, and take off after the battery is fully warmed up.

Battery Charging

- Always use a SwellPro Approved charger to charge the battery of the aircraft. SwellPro takes no responsibility if the battery is charged using a non-SwellPro charger.
- To avoid any potential accidents happening, please do not leave the battery charging unattended.
- Do not charge the battery near flammable materials, or on flammable surfaces, such as carpets or wood.
- Disconnect the charger when not in use.
- Do not clean the charger with denatured alcohol or other flammable solvents.
- Never use a damaged charger.

Battery Storage and Transportation

- **If the flight battery is not being used for a long period of time, ensure to set the battery to store voltage (22.5V-23.8V). To prevent the battery from over-discharged, charge the flight battery to store voltage every 3 months.**
- **If the remote controller is not being used for a long period of time, ensure to fully charge the remote controller for storage. To prevent the battery from over-discharging, fully recharge the remote controller every 3 months.**
- **Do not leave both the flight battery and remote controller battery unattended for an excessive period of time (longer than 3 months).** As the battery discharges over time, long storage time without recharge would result in battery over-discharge and cause permanent damage to the battery.

- It is recommended to fully charge the battery before put into storage, as the higher the battery level, the longer the battery can be stored.
- Keep batteries out of the reach of children and pets.
- Do not leave the battery near heat sources, such as a furnace, heater, or exposure to strong direct sunshine, for example: in cars.
- The ideal storage temperature is 20°C ~ 28°C.
- Keep the battery in a dry and ventilated environment.
- Never drop the battery into the water, or store it in places where there is a possibility of water leakage.
- Do not drop, strike, impale, pierce, or manually short-circuit the battery.
- Keep the battery away from metal objects, such as watches, jewelry, and hairpins.

Battery Disposal

- Dispose of the battery in specific recycling boxes only after a complete discharge.
- DO NOT place the battery in regular trash containers. Strictly follow your local regulations regarding the disposal and recycling of batteries.

Maintenance

- After flying over the sea, sand, or water, the Fisherman Max and modules must be thoroughly washed with fresh water within 2 hours and dried - especially the motors, gimbals, and camera.
- It is strongly advised to rinse the aircraft before any salt crystallizes.
- Motors are best rinsed by removing the propellers and immersing the motors one at a time into a bucket of fresh water.
- In the event of the Fisherman Max not being used for a long time, please store the aircraft and the batteries in a dry, and ventilated environment at 20°C~28°C.

Refer to the Maintenance manual for more maintenance information.

Disclaimer and Warning

This product is not a toy and should only be operated by persons over the age of 18. Please keep it out of reach of children and pay particular attention to the possible scenarios of children unexpectedly Appearing during flight operations.

Be sure to read this document carefully before using the product, to fully understand your legal rights, responsibilities, and safety instructions. Failure to do so may cause property damage, accidents, and personal injury. Once this product is used, it is deemed that you have understood, recognized, and accepted all the terms and conditions of this statement.

The user is responsible for all the consequences of his actions and the use of the product. The user agrees to use the product for his sole & legal purpose and agrees with the terms & conditions of this agreement, and other relevant policies & guidelines that may be specified by SwellPro.

Under the maximum permitted by law and Approved circumstances, SwellPro accepts no liability for any indirect, punitive, consequential, special, or criminal damages, including the purchase cost, or loss of income due to the loss of use of the aircraft.

SwellPro is exempt from the user's liabilities for damage(s) to person/s or property, or injuries incurred directly or indirectly from the use of this product in the following conditions:

- Damage or injuries incurred when the user/s are under the influence of alcohol, drugs, or medication.
- Any malfunction caused by operators' failure to follow the guidance of the manual to assemble and set up or operate the aircraft as described and designed.
- Damage or injuries may occur due to failure to study the tutorial videos and the user manual before flying the aircraft.
- Damage or injuries incurred as a result of the use or installation of any unauthorized third-party accessories or counterfeit parts - which were not provided and Approved by SwellPro.
- Damage or injuries as a result of flying the aircraft out of eyesight range, or more than 300m away from the controller.
- Damage or injuries caused by flying the aircraft in areas of magnetic fields & radio interference.
- Damage or injuries caused by flying in a NO-FLY ZONE that is regulated by local laws & rules.
- Damage or injuries including crashes, loss of control, or water ingress caused by abusing or modifying the original aircraft structure,
- Damage or injuries caused by using broken & aging components.
- Damage or injuries caused by continuing to fly the aircraft even if the low battery alarm is activated.
- Damage or injuries caused by failure to wash the components with fresh water after flying over or near the sea & corrosive waters.
- Damage or injuries that have occurred when the aircraft has been subjected to the following conditions or situations: collision, fire, explosion, floods, tsunamis, ice, snow, avalanche, flooding, landslide, earthquake, etc.
- Damage or injuries incurred by intentionally dropping or crashing the SplashAircraft into the water from a high altitude, especially water ingress into the aircraft fuselage and gimbal malfunction.
- Damage due to not following the user manual and maintenance manual properly.
- Damage caused by operating the product at a weight greater than the safe takeoff weight, as specified by instruction manuals.
- For any reason, the user cannot retrieve the aircraft for further diagnosis and examination.

- The user is not able or unwilling to provide the flight log to SwellPro for diagnosis and examination.
- Any attempt to modify flight log data noticed by SwellPro.
- Other Damage(s) or injuries that are not SwellPro's liability.

Version Information

SwellPro products are constantly improving, as the product user guides. It is recommended to visit www.swellpro.com to check and download the latest user guide.

Version

- 1.0 Fisherman Max User Manual 1.0 Edition
- 1.0.1 Fisherman Max User Manual 1.0.1 Edition
 - Add footnote on max flight distance and max image transmission distance in the specification section.
 - Add ATTI mode description for distance limit.
 - Add RTH description for controlling the control sticks.
- 1.0.2 Fisherman Max User Manual 1.0.2 Edition
 - Update on remote controller screen interface basic version.
 - Update the charging current in flight battery charging section.
- 1.0.3 Fisherman Max User Manual 1.0.3 Edition
 - Update on Install Emergency Buoy.
- 1.0.4 Fisherman Max User Manual 1.0.4 Edition
 - Update on Control the Aircraft.
- 1.0.5 Fisherman Max User Manual 1.0.5 Edition
 - Add the prompt after using the emergency buoy

Remote Controller

FCC Caution:

This device complies with part 15 of the FCC Rules. Operation is subject to the following two conditions: (1) This device may not cause harmful interference, and (2) this device must accept any interference received, including interference that may cause undesired operation.

Any Changes or modifications not expressly approved by the party responsible for compliance could void the user's authority to operate the equipment.

Note: This equipment has been tested and found to comply with the limits for a Class B digital device, pursuant to part 15 of the FCC Rules. These limits are designed to provide reasonable protection against harmful interference in a residential installation. This equipment generates uses and can radiate radio frequency energy and, if not installed and used in accordance with the instructions, may cause harmful interference to radio communications. However, there is no guarantee that interference will not occur in a particular installation. If this equipment does cause harmful interference to radio or television reception, which can be determined by turning the equipment off and on, the user is encouraged to try to correct the interference by one or more of the following measures:

- Reorient or relocate the receiving antenna.
- Increase the separation between the equipment and receiver.
- Connect the equipment into an outlet on a circuit different from that to which the receiver is connected.
- Consult the dealer or an experienced radio/TV technician for help.

The device has been evaluated to meet general RF exposure requirement. The device can be used in portable exposure condition without restriction.